

THIS DRAWING IS UNPUBLISHED.

RELEASED FOR PUBLICATION

ALL RIGHTS RESERVED.

© COPYRIGHT - Tyco Electronics Japan G.K.

LOC J

DIST -

REVISIONS

変更

DESCRIPTION

DATE

DWN

APVD

P LTR

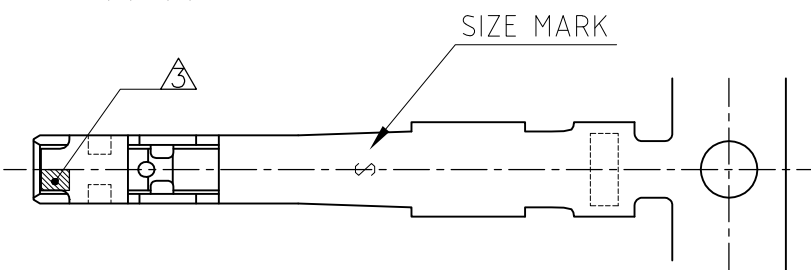
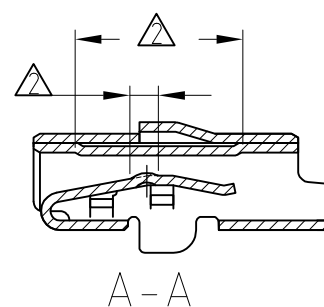
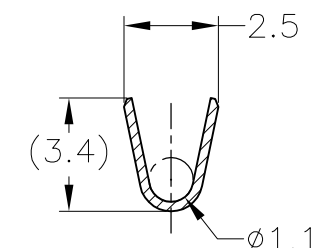
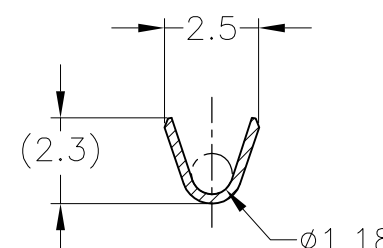
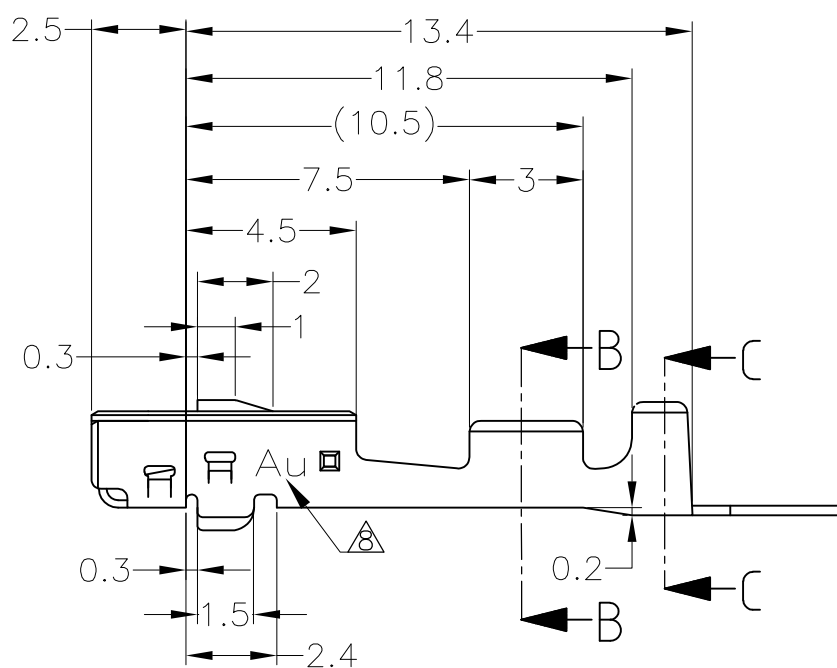
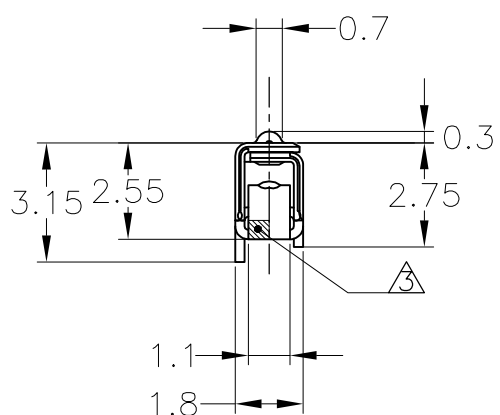
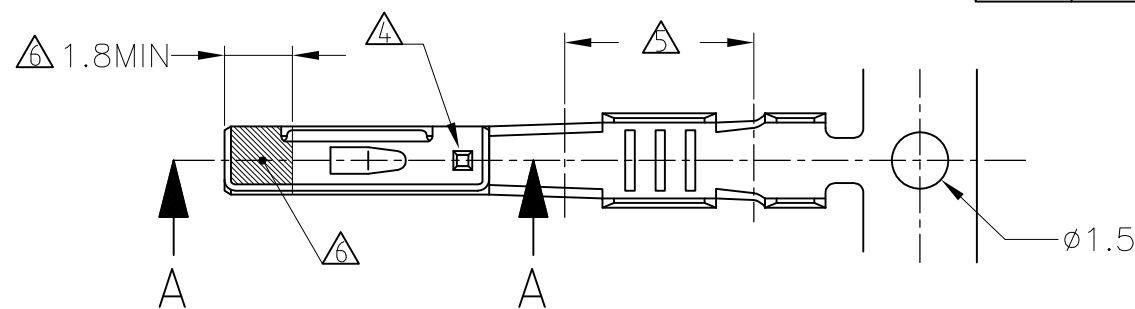
B REVISED

ECR-15-012614

03SEP15

KK

RK



1. 適用電線; AVSS, CAVS, CAVUS 0.3~0.85mm²
 AVS 0.3~0.5mm²

但し、使用するコネクタによって適用電線が制限される場合がある

- ② 金めっき範囲 (接触面のみ)
- ③ 識別用金めっき
- ④ 金めっき識別用マーク (3カ所)
- ⑤ すずめっき範囲
- ⑥ 金めっき範囲 (1--2のみ)
- 7. 取付適用規格番号; 114-5217
- ⑧ 識別用刻印

1. APPLICABLE WIRE RANGE;
 AVSS, CAVS, CAVUS 0.3~0.85mm²
 AVS 0.3~0.5mm²

BUT, AN APPLIED CONNECTOR OFTEN MAKE
 THE APPLICABLE WIRE RANGE NARROW

- ② GOLD PLATING AREA (CONTACT SIDE ONLY)
- ③ GOLD PLATING FOR DISCERNMENT
- ④ GOLD PLATING DISCERNMENT MARK (3 PLACES)
- ⑤ TIN PLATING AREA
- ⑥ GOLD PLATING AREA (1--2 ONLY)
- 7. APPLICATION SPEC NO; 114-5217
- ⑧ MARKING FOR IDENTIFICATION

TOLERANCES UNLESS OTHERWISE SPECIFIED: 一般公差	
10 _±	±0.2
30 _±	> 10 : ±0.25
100 _±	> 30 : ±0.3
ANGLE	±3°

THIS DRAWING IS A CONTROLLED DOCUMENT.	
DIMENSIONS: 単位: 耗 mm	TOLERANCES UNLESS OTHERWISE SPECIFIED: 一般公差
	0 PLC ±-
	1 PLC ±-
	2 PLC ±-
	3 PLC ±-
	4 PLC ±-
ANGLES ±-	
MATERIAL 材料 Cu ALLOY	FINISH 仕上 SEE TABLE

DWN M.SUGAWARA 18MAY06	TE Connectivity
CHK T.SHINOHARA 18MAY06	
APVD K.BETSUI 18MAY06	
PRODUCT SPEC 製品規格 -	
APPLICATION SPEC 取付適用規格 114-5217	NAME 名称
WEIGHT 0.27g	040 III UNSEALED CONTACT RECEPTACLE (S) Au
CUSTOMER DRAWING	RESTRICTED TO -

SELECTIVE GOLD/TIN ②③⑤⑥⑧	1-316837-2
SELECTIVE GOLD/TIN ②③⑤⑧	316837-2
SEE DRAWING 316837-1	316837-1
FINISH	PART NUMBER

SIZE A3	CAGE CODE 00779	DRAWING NO 番号 C-316837	RESTRICTED TO -
SCALE 尺度 5:1		SHEET 1 OF 1	REV B

Mouser Electronics

Authorized Distributor

Click to View Pricing, Inventory, Delivery & Lifecycle Information:

[TE Connectivity:](#)

[316837-2 \(Mouser Reel\)](#) [316837-2 \(Cut Strip\)](#)