

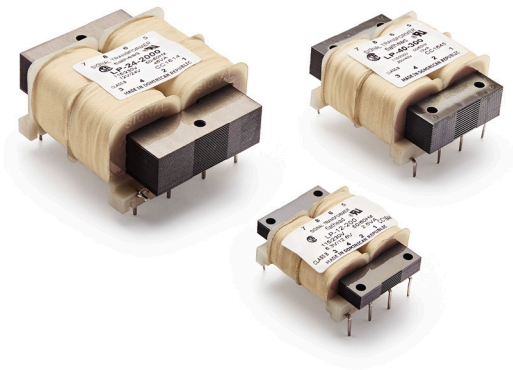
Printed Circuit Mount

LP Series

Flathead™ Low Profile Transformers

For Low Power and Critical Height Applications

Signal's LP transformers use hum-bucking (semi-toroidal) construction that minimizes radiated magnetic fields. These transformers are ideal for critical low-height PC board applications.



General Specifications

- Power - 2 VA to 48 VA
- Dielectric Strength - 1500 Vrms Hipot
- Primaries - Dual primaries, 115/230 V - 50/60 Hz
- Secondaries - Series or Parallel
- Height - 0.65" to 1.375" (16.5 mm to 34.9 mm)
- Insulation System - Class B, 130° C, UL 1446, E66312

Agency Certifications

- UL recognized to UL 506 / UL 5085-2, File # E63829
- CSA - NRTL/C22.2 #66.1, File # 221070

Part Number Selection

Part Number	VA	Secondary RMS Rating	
	Size	Series	Parallel
LP-10-250	2	10 VCT @ 250 mA	5 V @ 500 mA
LP-10-600	6	10 VCT @ 600 mA	5 V @ 1.2 A
LP-10-1200	12	10 VCT @ 1200 mA	5 V @ 2.4 A
LP-10-2400	24	10 VCT @ 2.40 A	5 V @ 4.80 A
LP-10-4800	48	10 VCT @ 4.80 A	5 V @ 9.60 A
LP-12-200	2	12.6 VCT @ 200 mA	6.3 V @ 400 mA
LP-12-450	6	12.6 VCT @ 450 mA	6.3 V @ 900 mA
LP-12-900	12	12.6 VCT @ 900 mA	6.3 V @ 1.8 A
LP-12-1900	24	12.6 VCT @ 1.90 A	6.3 V @ 3.80 A
LP-12-3800	48	12.6 VCT @ 3.80 A	6.3 V @ 7.60 A
LP-16-150	2	16 VCT @ 150 mA	8 V @ 300 mA
LP-16-350	6	16 VCT @ 350 mA	8 V @ 700 mA
LP-16-700	12	16 VCT @ 700 mA	8 V @ 1.4 A
LP-16-1500	24	16 VCT @ 1.50 A	8 V @ 3.00 A
LP-16-3000	48	16 VCT @ 3.00 A	8 V @ 6.00 A
LP-20-125	2	20 VCT @ 125 mA	10 V @ 250 mA
LP-20-300	6	20 VCT @ 300 mA	10 V @ 600 mA
LP-20-600	12	20 VCT @ 600mA	10 V @ 1.2 A
LP-20-1200	24	20 VCT @ 1.20 A	10 V @ 2.40 A
LP-20-2400	48	20 VCT @ 2.40 A	10 V @ 4.80 A
LP-24-100	2	24 VCT @ 100 mA	12 V @ 200 mA
LP-24-250	6	24 VCT @ 250 mA	12 V @ 500 mA
LP-24-500	12	24 VCT @ 500 mA	12 V @ 1.00 A
LP-24-1000	24	24 VCT @ 1.00 A	12 V @ 2.00 A
LP-24-2000	48	24 VCT @ 2.00 A	12V @ 4.00 A
LP-30-85	2	30 VCT @ 85 mA	15 V @ 170 mA
LP-30-200	6	30 VCT @ 200 mA	15 V @ 400 mA
LP-30-400	12	30 VCT @ 400 mA	15 V @ 800 mA
LP-30-800	24	30 VCT @ 800 mA	15 V @ 1.60 A
LP-30-1600	48	30 VCT @ 1.60 A	15 V @ 3.20 A

Part Number	VA	Secondary RMS Rating	
	Size	Series	Parallel
LP-34-75	2	34 VCT @ 75 mA	17 V @ 150 mA
LP-34-170	6	34 VCT @ 170 mA	17 V @ 340 mA
LP-34-340	12	34 VCT @ 340 mA	17 V @ 680 mA
LP-34-700	24	34 VCT @ 700 mA	17 V @ 1.40 A
LP-34-1400	48	34 VCT @ 1.40 A	17 V @ 2.80 A
LP-40-60	2	40 VCT @ 60 mA	20 V @ 120 mA
LP-40-150	6	40 VCT @ 150 mA	20 V @ 300 mA
LP-40-300	12	40 VCT @ 300 mA	20 V @ 600 mA
LP-40-600	24	40 VCT @ 600 mA	20 V @ 1.20 A
LP-40-1200	48	40 VCT @ 1.20 A	20 V @ 2.40 A
LP-56-45	2	56 VCT @ 45 mA	28 V @ 90 mA
LP-56-100	6	56 VCT @ 100 mA	28 V @ 200 mA
LP-56-200	12	56 VCT @ 200 mA	28 V @ 400 mA
LP-56-425	24	56 VCT @ 425 mA	28 V @ 850 mA
LP-56-850	48	56 VCT @ 850 mA	28 V @ 1.70 A
LP-88-28	2	88 VCT @ 28 mA	44 V @ 56 mA
LP-88-65	6	88 VCT @ 65 mA	44 V @ 130 mA
LP-88-130	12	88 VCT @ 130 mA	44 V @ 260 mA
LP-120-20	2	120 VCT @ 20 mA	60 V @ 40 mA
LP-120-50	6	120 VCT @ 50 mA	60 V @ 100 mA
LP-120-100	12	120 VCT @ 100 mA	60 V @ 200 mA
LP-230-10	2	230 VCT @ 10 mA	115 V @ 20 mA
LP-230-25	6	230 VCT @ 25 mA	115 V @ 50 mA
LP-230-50	12	230 VCT @ 50mA	115 V @ 100 mA



Custom versions available upon request.

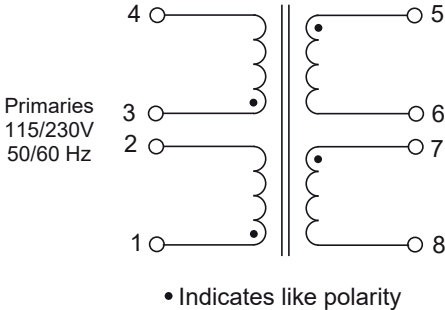
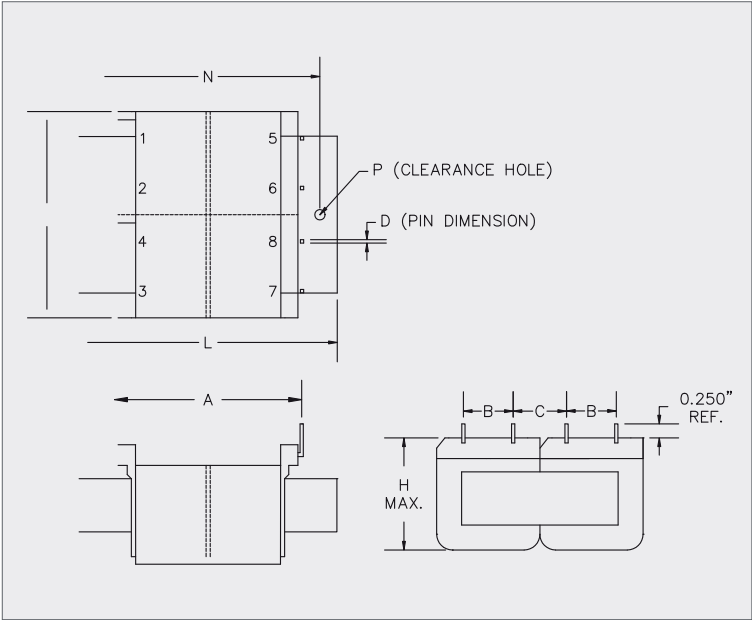


128 Atlantic Avenue, Lynbrook, NY 11563
 Toll Free 866-239-5777 | Tel 516-239-5777 | Fax 516-239-7208
 sales@signaltransformer.com | techhelp@signaltransformer.com

belfuse.com/signal

Mechanical Specifications

VA	Dimensions									Weight
	A	B	C	L	W	H	N	D	P	
Size	Inches (mm)									oz (kg)
2	1.60 (40.6)	0.37 (9.5)	0.37 (9.5)	1.87 (47.5)	1.56 (39.6)	0.65 (16.5)	-	0.041 x 0.020 (1.04 x 0.51)	-	5 (0.14)
6	1.60 (40.6)	0.37 (9.5)	0.37 (9.5)	1.87 (47.5)	1.56 (39.6)	0.85 (21.6)	-	0.041 x 0.020 (1.04 x 0.51)	-	7 (0.20)
12	2.00 (50.8)	0.50 (12.7)	0.50 (12.7)	2.50 (63.5)	2.00 (50.8)	1.06 (27.1)	-	0.041 x 0.020 (1.04 x 0.51)	-	11 (0.31)
24	1.90 (48.3)	0.60 (15.2)	0.53 (13.5)	2.87 (72.9)	2.25 (57.2)	1.25 (31.8)	2.41 (61.2)	0.041 SQ pin (1.04 SQ mm)	Clearance Hole for #4 Screw	15 (0.43)
48	2.18 (55.4)	0.60 (15.2)	0.66 (16.8)	3.12 (79.2)	2.50 (63.5)	1.37 (34.9)	2.62 (66.5)	0.041 SQ pin (1.04 SQ mm)	Clearance Hole for #6 Screw	21 (0.60)



Custom versions available upon request.

128 Atlantic Avenue, Lynbrook, NY 11563

Toll Free 866-239-5777 | Tel 516-239-5777 | Fax 516-239-7208

sales@signaltransformer.com | techhelp@signaltransformer.com

belfuse.com/signal



Mouser Electronics

Authorized Distributor

Click to View Pricing, Inventory, Delivery & Lifecycle Information:

[Bel:](#)

[LP-20-300](#) [LP-24-500](#) [LP-34-700](#) [LP-12-200](#) [LP-34-340](#) [LP-40-600](#) [LP-56-850](#) [LP-10-600](#) [LP-40-300](#) [LP-16-350](#)
[LP-24-2000](#) [LP-30-85](#) [LP-120-50](#) [LP-20-600](#) [LP-30-200](#) [LP-88-130](#) [LP-10-250](#) [LP-16-150](#) [LP-56-45](#) [LP-230-50](#)
[LP-12-3800](#) [LP-230-25](#) [LP-34-1400](#) [LP-12-450](#) [LP-88-28](#) [LP-120-20](#) [LP-120-100](#) [LP-16-1500](#) [LP-20-1200](#) [LP-56-](#)
[100](#) [LP-20-125](#) [LP-10-4800](#) [LP-230-10](#) [LP-56-200](#) [LP-30-1600](#) [LP-40-150](#) [LP-56-425](#) [LP-88-65](#) [LP-24-1000](#) [LP-](#)
[40-1200](#) [LP-10-2400](#) [LP-16-700](#) [LP-12-900](#) [LP-30-400](#) [LP-10-1200](#) [LP-34-170](#) [LP-34-75](#) [LP-40-60](#) [LP-24-250](#) [LP-](#)
[30-800](#) [LP-20-2400](#) [LP-12-1900](#) [LP-24-100](#) [LP-16-3000](#)