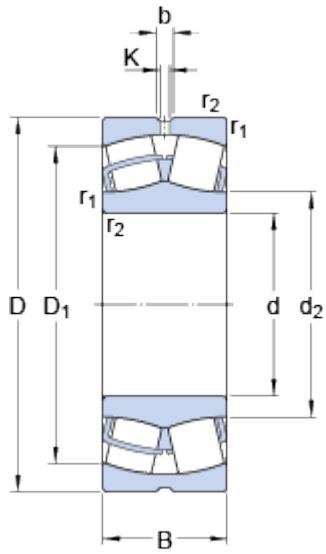


22208 E

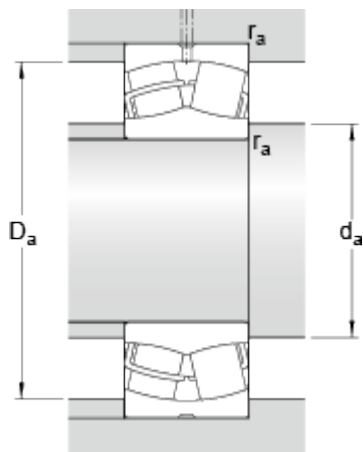
SKF Explorer

Dimensions



d		40	mm
D		80	mm
B		23	mm
d ₂	≈	49.6	mm
D ₁	≈	69.4	mm
b		6	mm
K		3	mm
r _{1,2}	min.	1.1	mm

Abutment dimensions



d _a	min.	47	mm
D _a	max.	73	mm
r _a	max.	1	mm

Calculation data

Basic dynamic load rating	C	98.5	kN
Basic static load rating	C ₀	91.5	kN
Fatigue load limit	P _u	10	kN
Reference speed		8000	r/min
Limiting speed		11000	r/min
Calculation factor	e	0.28	
Calculation factor	Y ₁	2.4	
Calculation factor	Y ₂	3.6	
Calculation factor	Y ₀	2.5	

Mass

