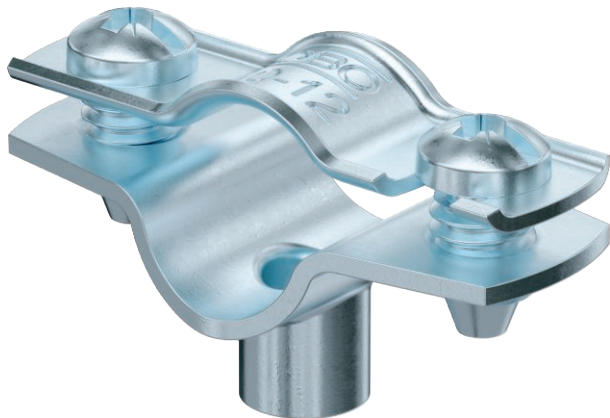


# Technical data sheet

## Spacer clip 732

Item no. 1362412



Spacer clip for the installation of pipes and cables on walls, ceiling and floors. With self-locking upper part. Surfaces G and FT from a clip size of 20 are suitable for the installation with a nail device or a bolt-firing tool.

Approved for the maintenance of electrical function according to DIN 4102 Part 12, function maintenance classes E30 to E90.

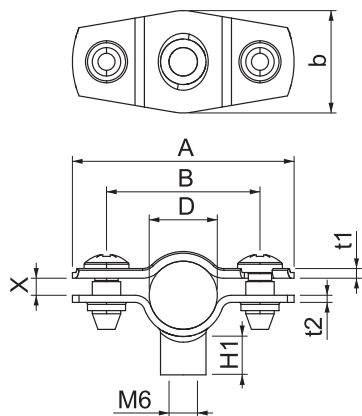


<b>St</b>	Steel
<b>G</b>	Electrogalvanised

### Master data

Item no.	1362412
Type	ASG 732 12 G
Description 1	Distance saddle
Description 2	with threaded connection M6
Dimension	10-12mm
Material	Steel
Material symbol	St
Surface	Electrogalvanised
Surface to DIN	DIN EN 12329
Surface symbol	G
Smallest sales unit (VG)	25,00 Piece
Weight	1,57 kg/100 pc.

### Technical data



Dimension A	39,00 mm
Dimension B	27,00 mm
Dimension b	18,00 mm
Dimension D	10,00 - 12,00 mm
Dimension D	12,00 mm
Dimension H1	6,50 mm
Dimension t1	1,00 mm
Dimension t2	1,25 mm
Dimension x	3,00 mm
Distance to the wall	<input checked="" type="checkbox"/>
Number of cables/pipes	1,00
Version	Closed
Fastening type	Threaded connection
Suitable in fire protection area	<input checked="" type="checkbox"/>
Halogen-free	<input checked="" type="checkbox"/>

# Technical data sheet

## Spacer clip 732

Item no. 1362412



### Technical data

Plastic coated	<input type="checkbox"/>
Clamping range D	10,00 - 12,00 mm
UV-resistant	<input checked="" type="checkbox"/>