



**PARA LIGHT ELECTRONICS CO., LTD.**

4F, No.1, Lane 93, Chien Yi Road, Chung Ho City, Taipei, Taiwan, R.O.C.

Tel: 886-2-2225-3733

Fax: 886-2-2225-4800

E-mail: [para@para.com.tw](mailto:para@para.com.tw)

<http://www.para.com.tw>

DATE SHEET

PART NO : L-513LPG6C

REV :   A/2  

CUSTOMER`S APPROVAL: \_\_\_\_\_

DCC: \_\_\_\_\_

DRAWING NO : DS-5 ¢ -0079

DATE : 2007-01-30

Page : 1

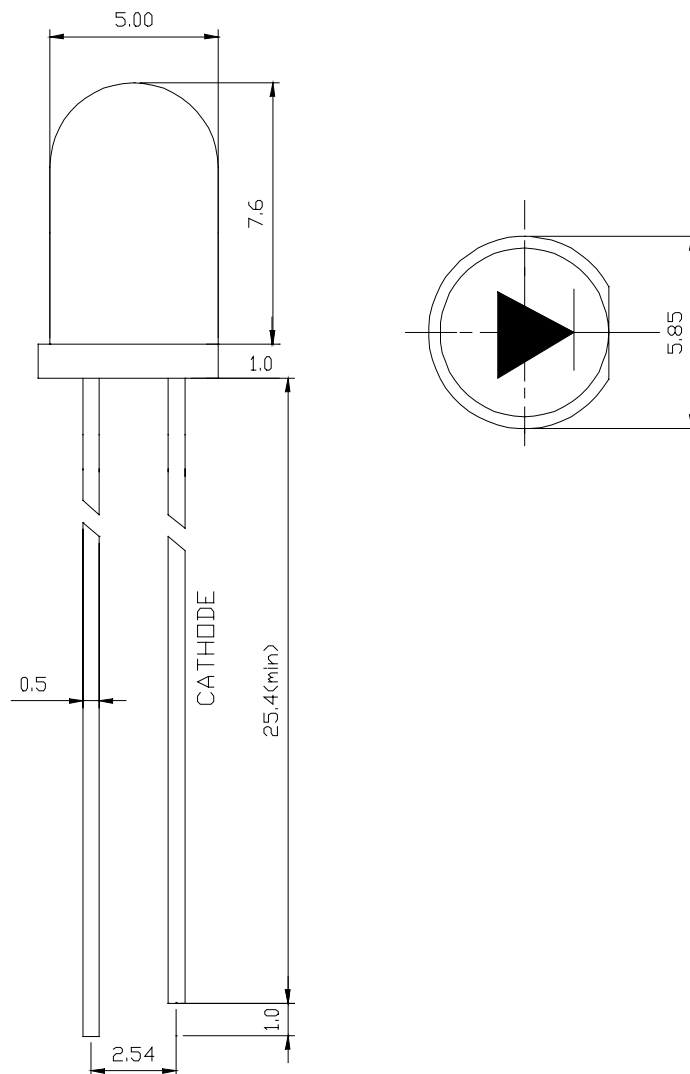


5.0 mm DIA LED LAMP

L-513LPG6C

REV : A/2

Lens Color: Water Clear  
Emitted Color: Ultra Pure Green



Notes:

- 1、 All dimension are in millimeter.
- 2、 Tolerance is  $\pm 0.25$ mm unless otherwise specified.



5.0 mm DIA LED LAMP

L-513LPG6C

REV : A/2

**ABSOLUTE MAXIMUM RATING : ( Ta=25 )**

SYMBOL	PARAMETER DESCRIPTION	Data	Unit
P <sub>AD</sub>	Power Dissipation Per Dice	85	mW
V <sub>R</sub>	Reverse Voltage Per Dice	5	V
I <sub>AF</sub>	Continuos Forward Curent Per Dice	20	mA
	Derating Linear Form 25 Per Dice	0.40	mA/°C
T <sub>opr</sub>	Operating Temperature Range	-25 to 85	
T <sub>stg</sub>	Storage Temperature Range	-25 to 85	
Lead Soldering Temperature (1.6mm(1/16inch) from body)		260°C for 5 Seconds	

**ELECTRO-OPTICAL CHARACTERISTICS : ( Ta=25 )**

SYMBOL	PARAMETER DESCRIPTION	Test Condition	MIN	TYP	MAX	Unit
V <sub>F</sub>	Forward Voltage	I <sub>F</sub> =20mA		3.3	3.8	V
I <sub>R</sub>	Reverse Current	V <sub>R</sub> =5V			100	µA
λ <sub>p</sub>	Peak Emission Wavelength	I <sub>F</sub> =20mA		528		nm
	Spectrum Radiation Bandwidth	I <sub>F</sub> =20mA		30		nm
2θ <sub>1/2</sub>	Half Intensity Angle	I <sub>F</sub> =20mA		8		deg
I <sub>v</sub>	Luminous Intensity	I <sub>F</sub> =20mA		15000		mcd



5.0 mm DIA LED LAMP

L-513LPG6C

REV : A/2

