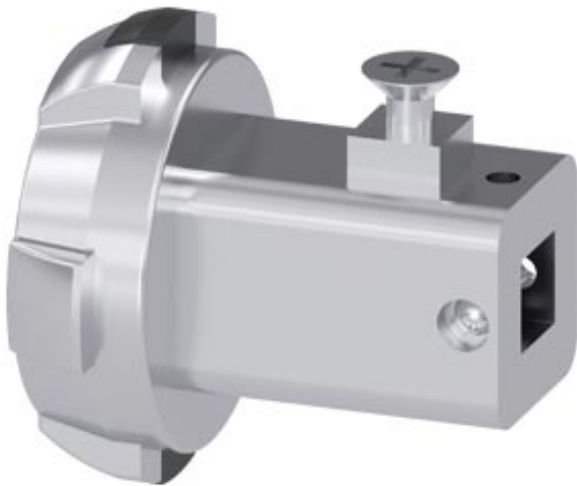


Door-coupling Size 8x 8 mm, large head Accessory for: Door-coupling rotary operating mechanism Shaft 8x 8 mm, 3KD



Model

Product brand name	SENTRON
Product designation	Accessories
Design of the product	Door coupling

Product details

Product component	
<ul style="list-style-type: none"> • axis extension 	No

Accessories

accessories	Door coupling
-------------	---------------

Certificates

General Product Approval	Declaration of Conformity	Shipping Approval
--------------------------	---------------------------	-------------------



Further information

Information- and Downloadcenter (Catalogs, Brochures,...)

<http://www.siemens.com/lowvoltage/catalogs>

Industry Mall (Online ordering system)

<https://mall.industry.siemens.com/mall/en/en/Catalog/product?mlfb=8UD1900-6HA00>

Service&Support (Manuals, Certificates, Characteristics, FAQs,...)

<https://support.industry.siemens.com/cs/ww/en/ps/8UD1900-6HA00>

Image database (product images, 2D dimension drawings, 3D models, device circuit diagrams, ...)

http://www.automation.siemens.com/bilddb/cax_en.aspx?mlfb=8UD1900-6HA00

CAX-Online-Generator

<http://www.siemens.com/cax>

Tender specifications

<http://www.siemens.com/specifications>

