

Category 5e Keystone Panel Mount Coupler



Category 5e Unshielded Keystone Panel Mount Coupler (FACK2 & FACK2bk-24)

Features

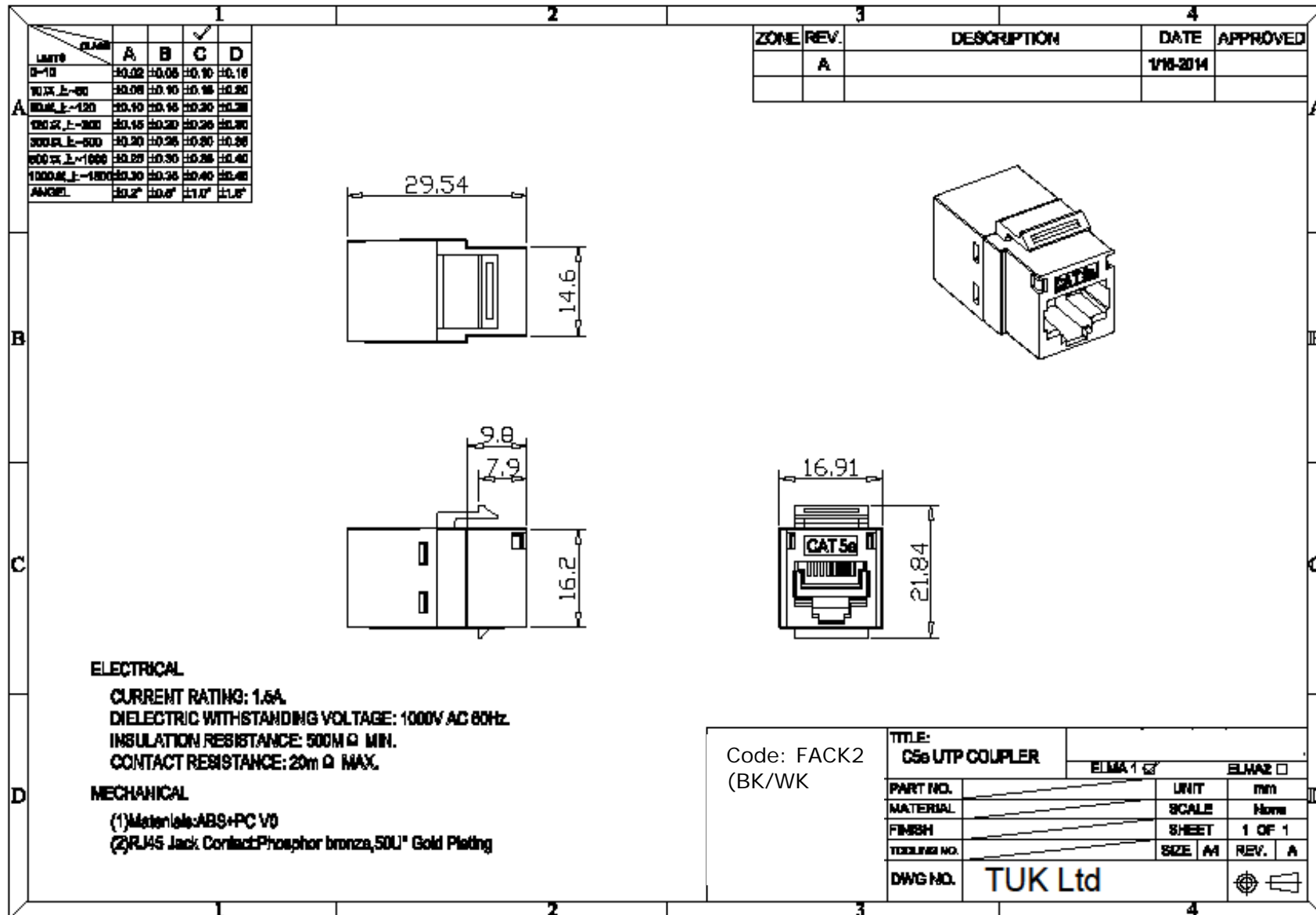
- High performance data throughput, meets Category 5e data transfer rates
- Designed to fit industry standard keystone outlets and patch panels
- Shielded version available (FACK2S)
- Compatible with our 16 and 24 port keystone patch panels available with or without cable management

Packaging

- Supplied in individual polythene bags, then in bags of 20. To save time for panel assemblers, FACK2bk-24 is available as a "bulk pack" of 24 pieces without individual bags

Specifications

- Dimensions **FACK2**: 29.5 x 16.9 x 21.8mm (LxWxH) **FACK2bk-24**: 280 x 70 x 35mm (LxWxH)
- Weights **FACK2**: 6 grams **FACK2bk-24**: 138 grams
- Housing: ABS UL94V-0
- Contacts: 50µ"/ 1.27µm gold plating over nickel plated phosphor bronze
- Colour: Black (FACK2Bk) and white (FACK2Wh)



TUK Ltd, Unit 4, Wimbledon Stadium Business Centre, Riverside Road, London, SW17 0BA

Category 5e Shielded Keystone Panel Mount Coupler



Category 5e Shielded Keystone Panel Mount Coupler (FACK2S)

Features

- Designed to fit industry standard keystone outlets, wall plates and patch panels
- High performance data throughput, meets Category 5e data transfer rates
- Unshielded versions available
- Plug insertion life ≥ 750 times
- Operating temperature: $-40^{\circ}\text{C} \sim +66^{\circ}\text{C}$
- Available as part of our innovative Panel Mount and D UNIVERSAL ranges

Packaging:

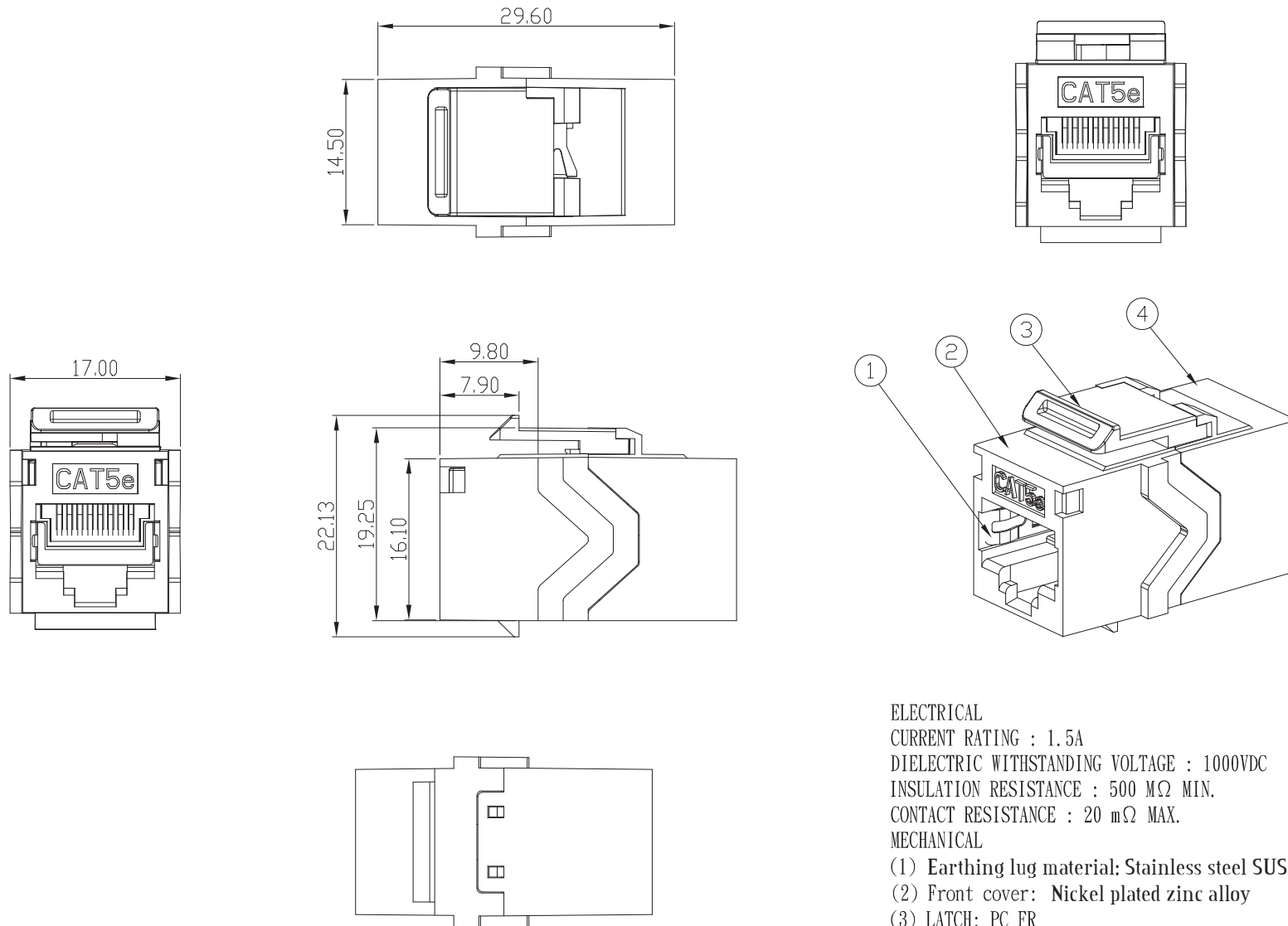
- Standard product is supplied in individual polythene bags then in bags of 20. To save time for panel assemblers, FACK2S-24 is available as a “bulk-pack” of 24 pieces without individual bags.

Specifications

- **Materials**
Housing: Nickel plated zinc alloy
Contacts: Phosphor bronze, $50\mu\text{m}/1.27\mu\text{m}$ gold plated over contact area
Earthing lug material: Stainless steel SUS304
- **Colour:** Silver
- **Dimensions:**
FACK2S: 29.7 x 17 x 22.13 mm (LxWxH) **FACK2S-24:** 280 x 70 x 35 mm (LxWxH)
- **Weight:**
FACK2S: 17g **FACK2S-24:** 420g approx.

ROHS Compliant

Code: FACK2S



ELECTRICAL
CURRENT RATING : 1.5A
DIELECTRIC WITHSTANDING VOLTAGE : 1000VDC
INSULATION RESISTANCE : 500 M Ω MIN.
CONTACT RESISTANCE : 20 m Ω MAX.
MECHANICAL
(1) Earthing lug material: Stainless steel SUS304
(2) Front cover: Nickel plated zinc alloy
(3) LATCH: PC FR
(4) Bottom cover: Nickel plated zinc alloy