



∅ 172×150×51 mm

San Ace 172 9SG type

Sidecut type

General Specifications

- Material Frame: Aluminum, Impeller: Plastic (Flammability: UL 94V-1)
- Expected life See the table below. (L10 life: 90% survival rate for continuous operation in free air at 60°C, rated voltage)
- Motor protection function Locked rotor burnout protection, Reverse polarity protection
For details, please refer to p. 547.
- Dielectric strength 50/60 Hz, 500 VAC, for 1 minute (between lead wire conductors and frame)
- Insulation resistance 10 MΩ or more with a 500 VDC megger (between lead wire conductors and frame)
- Sound pressure level (SPL) At 1 m away from the air inlet
- Storage temperature -30 to +70°C (Non-condensing)
- Lead wire ⊕Red ⊖Black Sensor Yellow Control Brown
- Mass 760 g

Specifications

The models listed below **have pulse sensors with PWM control function.**

| Model no. | Rated voltage [V] | Operating voltage range [V] | PWM duty cycle* [%] | Rated current [A] | Rated input [W] | Rated speed [min ⁻¹] | Max. airflow [m ³ /min] [CFM] | Max. static pressure [Pa] [inchH ₂ O] | SPL [dB (A)] | Operating temperature [°C] | Expected life [h] |
|--------------|-------------------|-----------------------------|---------------------|-------------------|-----------------|----------------------------------|--|--|--------------|----------------------------|-------------------|
| 9SG5724P5H61 | 24 | 20.4 to 27.6 | 100 | 2.8 | 67.2 | 6500 | 11.6 410 | 540 2.16 | 71 | -20 to +70 | 40000/60°C |
| | | | 0 | 0.18 | 4.32 | 1300 | 2.32 81.9 | 30 0.12 | 28 | | |
| 9SG5748P5G01 | 48 | 36 to 72 | 100 | 2.91 | 140 | 8600 | 15.46 546 | 1000 4.02 | 78 | -20 to +60 | |
| | | | 0 | 0.21 | 10.1 | 2000 | 3.59 127 | 75.1 0.3 | 40 | | |
| 9SG5748P5H01 | 48 | 36 to 72 | 100 | 1.62 | 78 | 6500 | 11.6 410 | 770 3.09 | 71 | -20 to +60 | |
| | | | 0 | 0.21 | 10.1 | 2000 | 3.59 127 | 75.1 0.3 | 40 | | |

* PWM frequency: 25 kHz

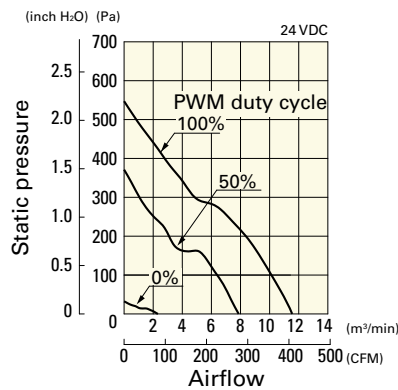
The following sensor and control options are available for selection.

Differs according to the model. Refer to the table on p. 578. Without sensor

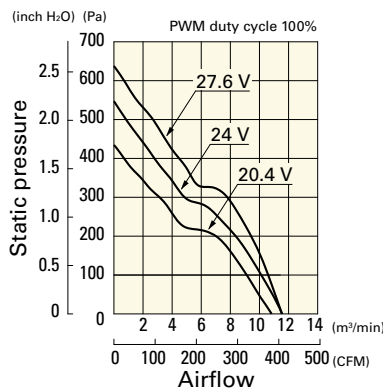
Airflow - Static Pressure Characteristics / PWM Duty - Speed Characteristics Example

9SG5724P5H61 With pulse sensor with PWM control function

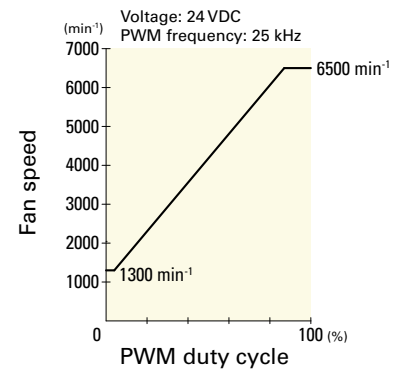
PWM duty cycle



Operating voltage range



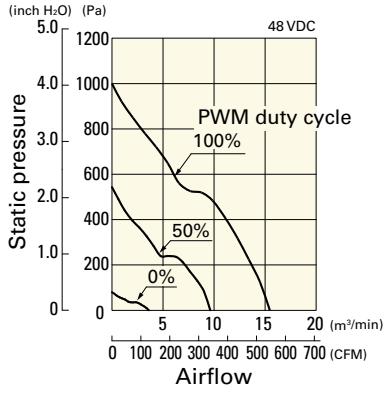
PWM duty - Speed characteristics example



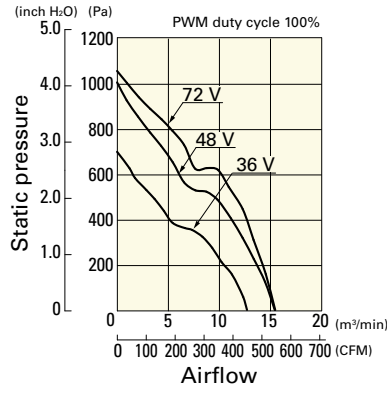
Airflow - Static Pressure Characteristics / PWM Duty - Speed Characteristics Example

9SG5748P5G01 With pulse sensor with PWM control function

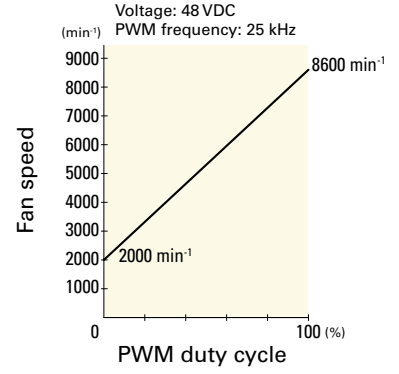
PWM duty cycle



Operating voltage range

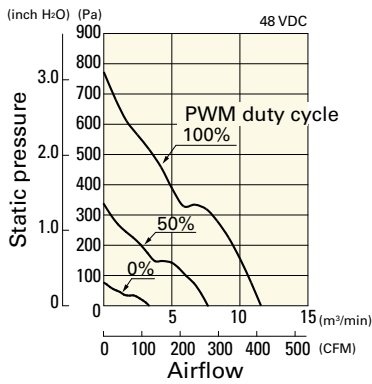


PWM duty - Speed characteristics example

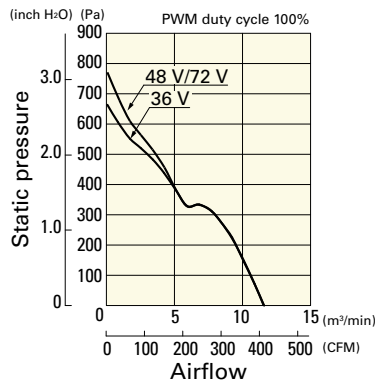


9SG5748P5H01 With pulse sensor with PWM control function

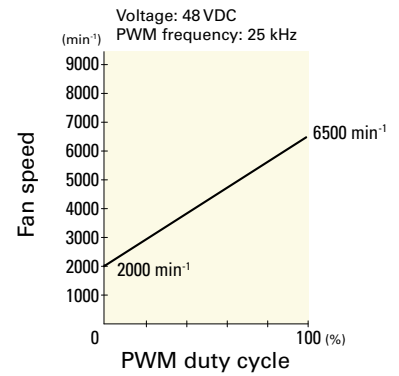
PWM duty cycle



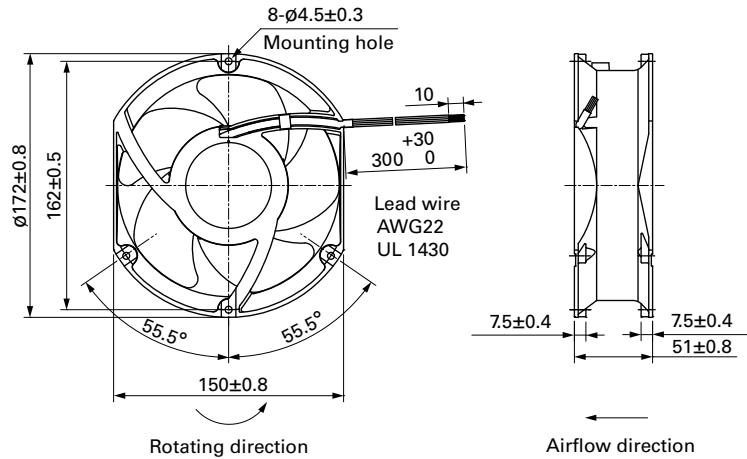
Operating voltage range



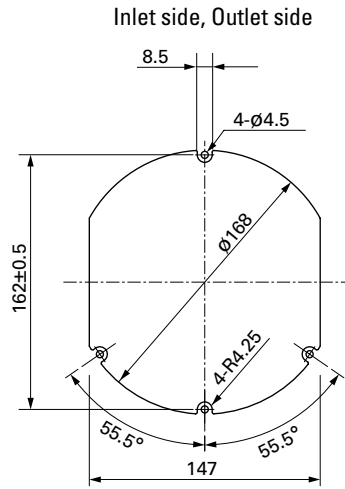
PWM duty - Speed characteristics example



Dimensions (unit: mm)



■ Reference Dimensions of Mounting Holes and Vent Opening (unit: mm)



■ Options

Finger guards

page: p. 534

Model no.: 109-319J, 109-319E, 109-319H, 109-320