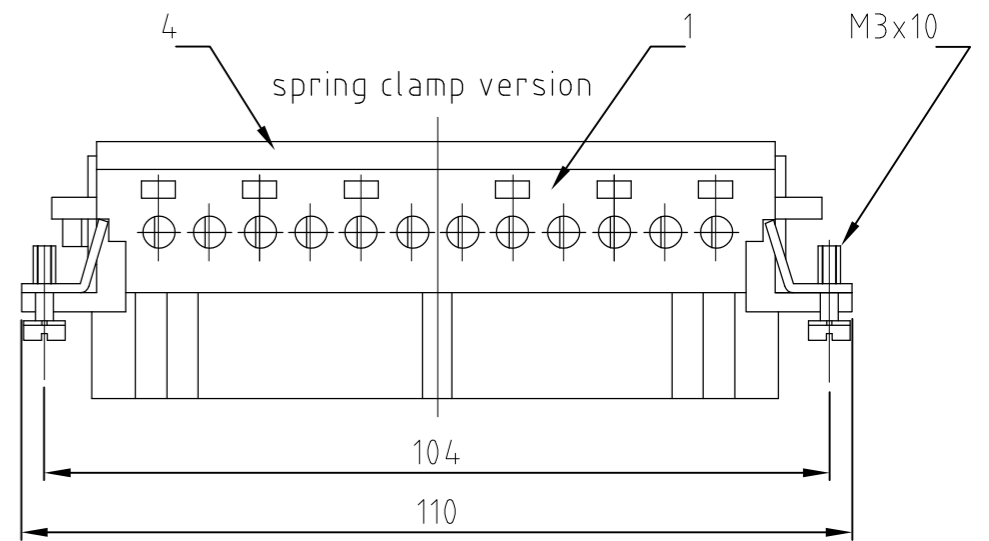
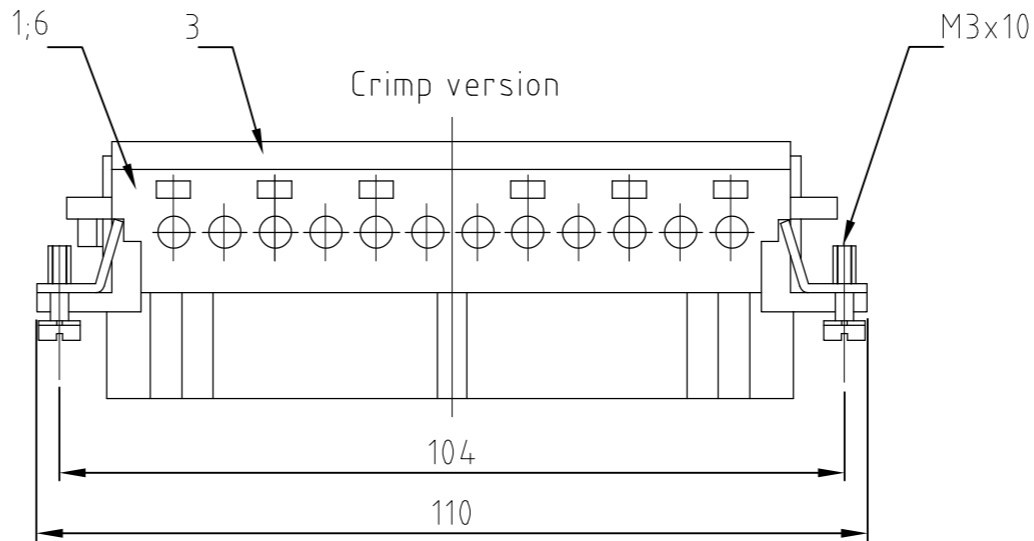
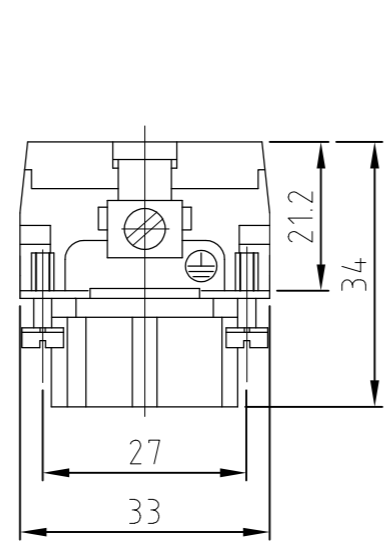
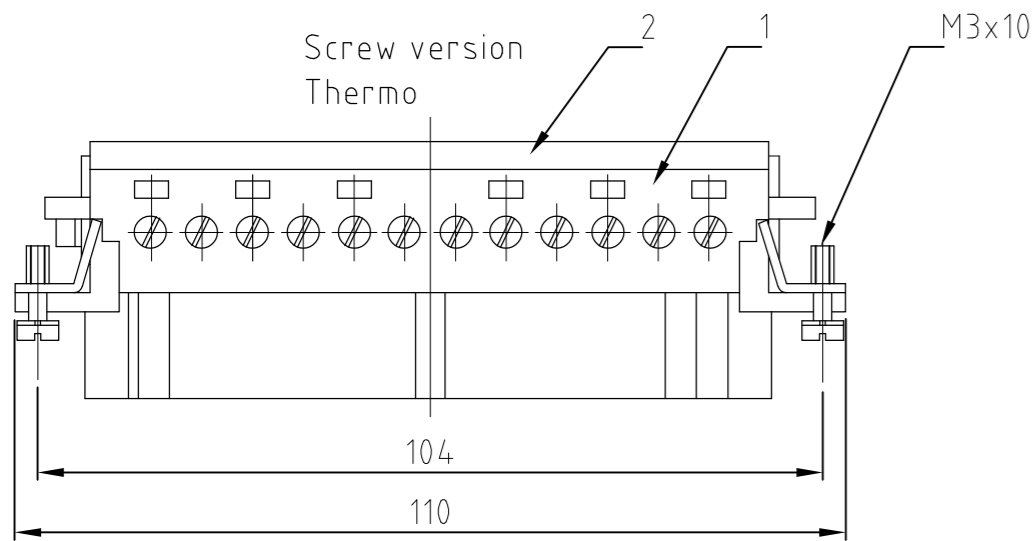


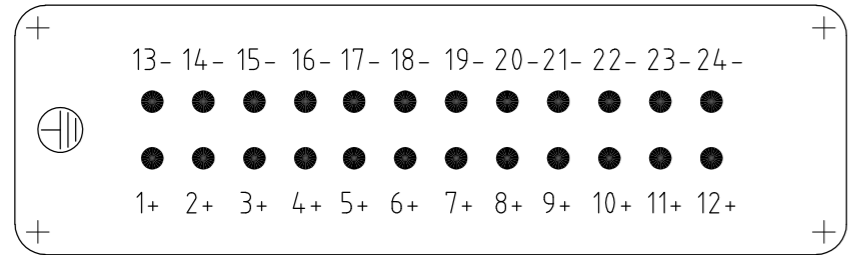
THIS DRAWING IS UNPUBLISHED. RELEASED FOR PUBLICATION  
 © COPYRIGHT - By - ALL RIGHTS RESERVED.

REVISIONS					
P	LTR	DESCRIPTION	DATE	DWN	APVD
E2		REVISED PER ECO-11-002591	17FEB11	HMR	MM
E3		REVISED PER ECR-16-009336	08DEC2016	GCM	MKO

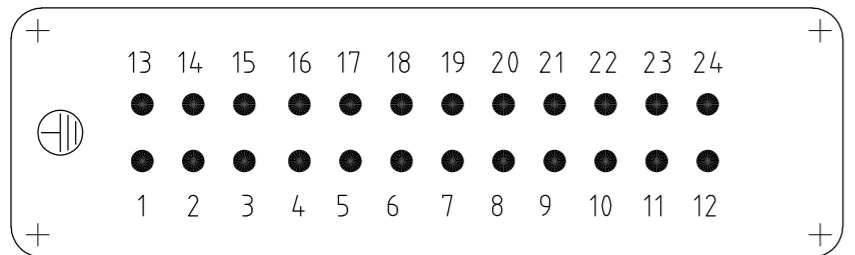


Contact arrangement view from termination side

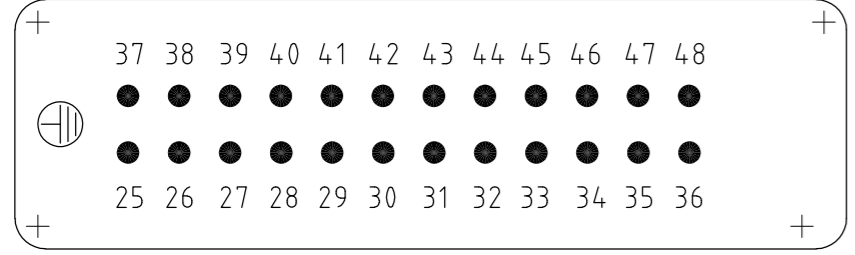
Printing 1-24 Thermo



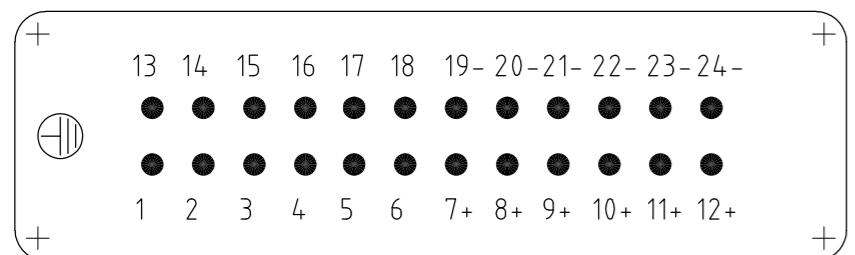
Printing 1-24 Screw



Printing 25-48 Screw

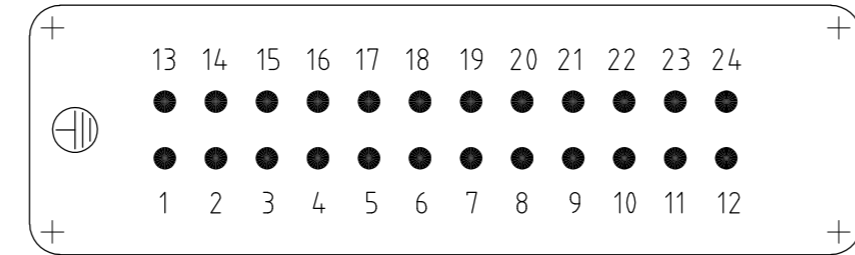


Printing 12+6+6 Screw/Thermo

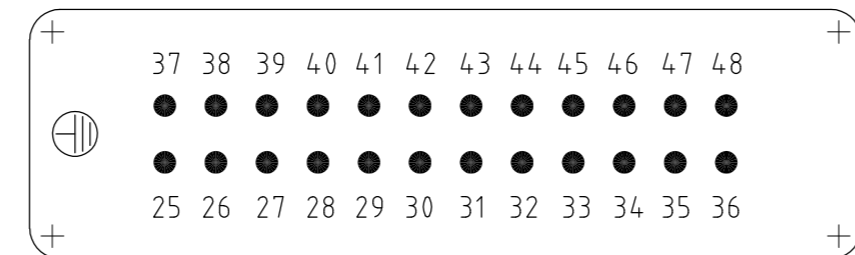


Contact arrangement view from termination side

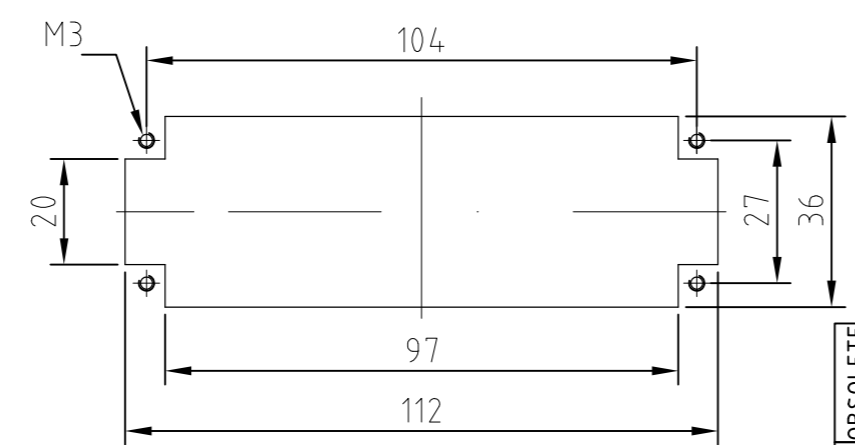
Printing 1-24



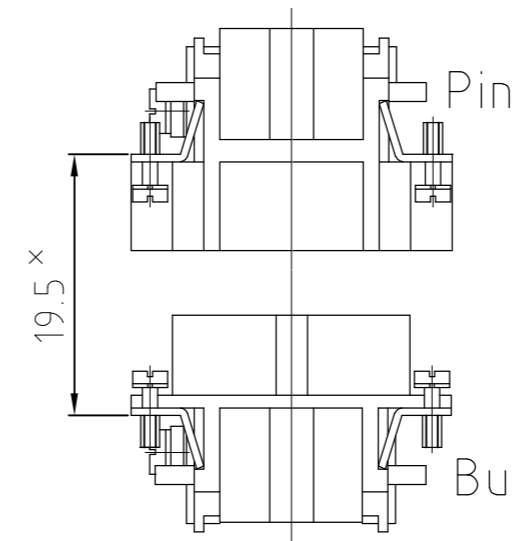
Printing 25-48



Panel cut-out for contact insert when used without housing



assembly directions



x distance for a safe contact max: max: 21 mm

NOTES:

- SUITABLE CRIMP CONTACTS: SERIES HE/HA OUTER DIMENSIONS OF INSULATION: MAX. Ø3,2 MM
- SUITABLE HOOD SIZE 8; 12: SERIES HB; HD; HIP; EMV SUITABLE INSERTION AND EXTRACTION TOOL: SCREWDRIVER 0,5x3 DIN 5264
- Strip lenght: Screw conection 10mm Spring clamp conection 10mm Crimp conection 7.5mm
- STANDARDS: DIN EN 61984; DIN EN 60664-1
- PACKAGING: 5 SETS IN A CARTON, PRE-MOUNTED
- SPECIAL PACKAGING: Krauss-Maffei PACKAGING UNIT: 220 PIECES

ITEM NO. POS.	DESCRIPTION / BENENNUNG	MATERIAL	COLOR / FARBE	ITEM NO. POS.	DESCRIPTION / BENENNUNG	MATERIAL	COLOR / FARBE	ITEM NO. POS.
1	Socket contact		light grey	5	earth wire contact with drillings Ø3,3 / without fixing screws			
1	Deckel Federklemmversion		light grey	4				
1	Crimp Crimp version		light grey	3				
1	Cover screw version		light grey	2				
1	Buchseneinsatz		light grey	1				

HE-24-Bu.S-B1-24-KM	OBSOLETE	1						
HE-24-Bu.C-3-B1-24	OBSOLETE	1						
HE-24-Bu.S-AUB1-24		1						
HE-24-Bu.S-T-B12+6+6		1						
HE-24-Bu.S-AUB25-48	OBSOLETE	1						
HE-24-Bu.S-AUB1-24		1						
HE-24-Bu.S-CB.25-48		1						
HE-24-Bu.S-CB1-24		1						
HE-24-Bu.C.B.25-48		1						
HE-24-Bu.C.B1-24		1						
HE-24-Bu.S.B.25-48		1						
HE-24-Bu.S-T	OBSOLETE	1						
HE-24-Bu.S-B1-24		1						

THIS DRAWING IS A CONTROLLED DOCUMENT.		DWN	Schneider	08.02.2000
DIMENSIONS: mm		CHK	Schweiger	08.02.2000
TOLERANCES UNLESS OTHERWISE SPECIFIED:		APVD		
0 PLC		PRODUCT SPEC		
1 PLC		APPLICATION SPEC		
2 PLC		WEIGHT		
3 PLC		CUSTOMER DRAWING		
4 PLC		SCALE	1:1	
ANGLES		SHEET	1 of 1	
FINISH		REV	E3	

NAME		TE Connectivity	
Female insert		HE.24.BU.S/C	
SIZE	A2	CAGE CODE	00779
DRAWING NO	C=1103641		

# Mouser Electronics

Authorized Distributor

Click to View Pricing, Inventory, Delivery & Lifecycle Information:

[TE Connectivity:](#)

[1-1103641-1](#)