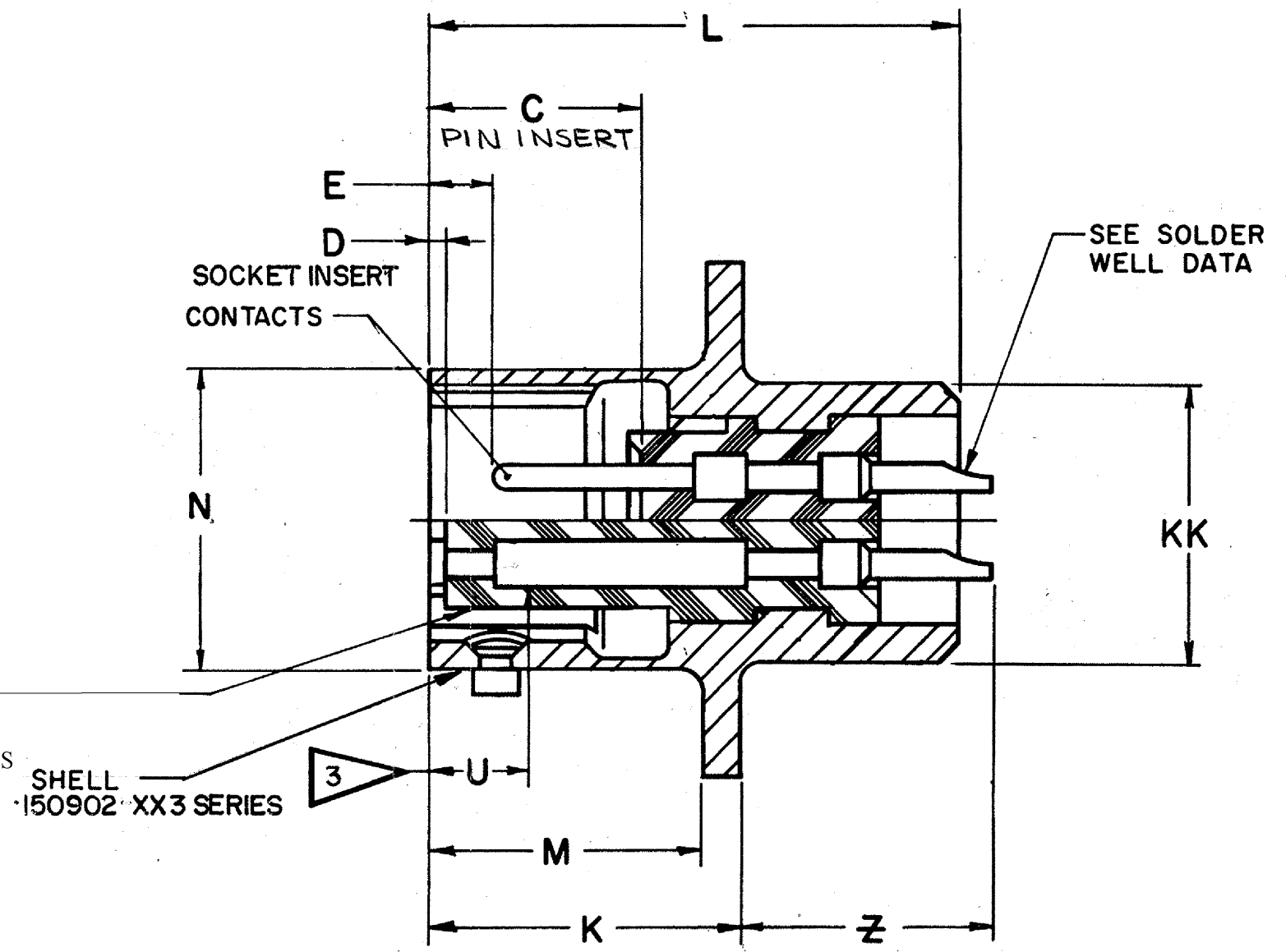
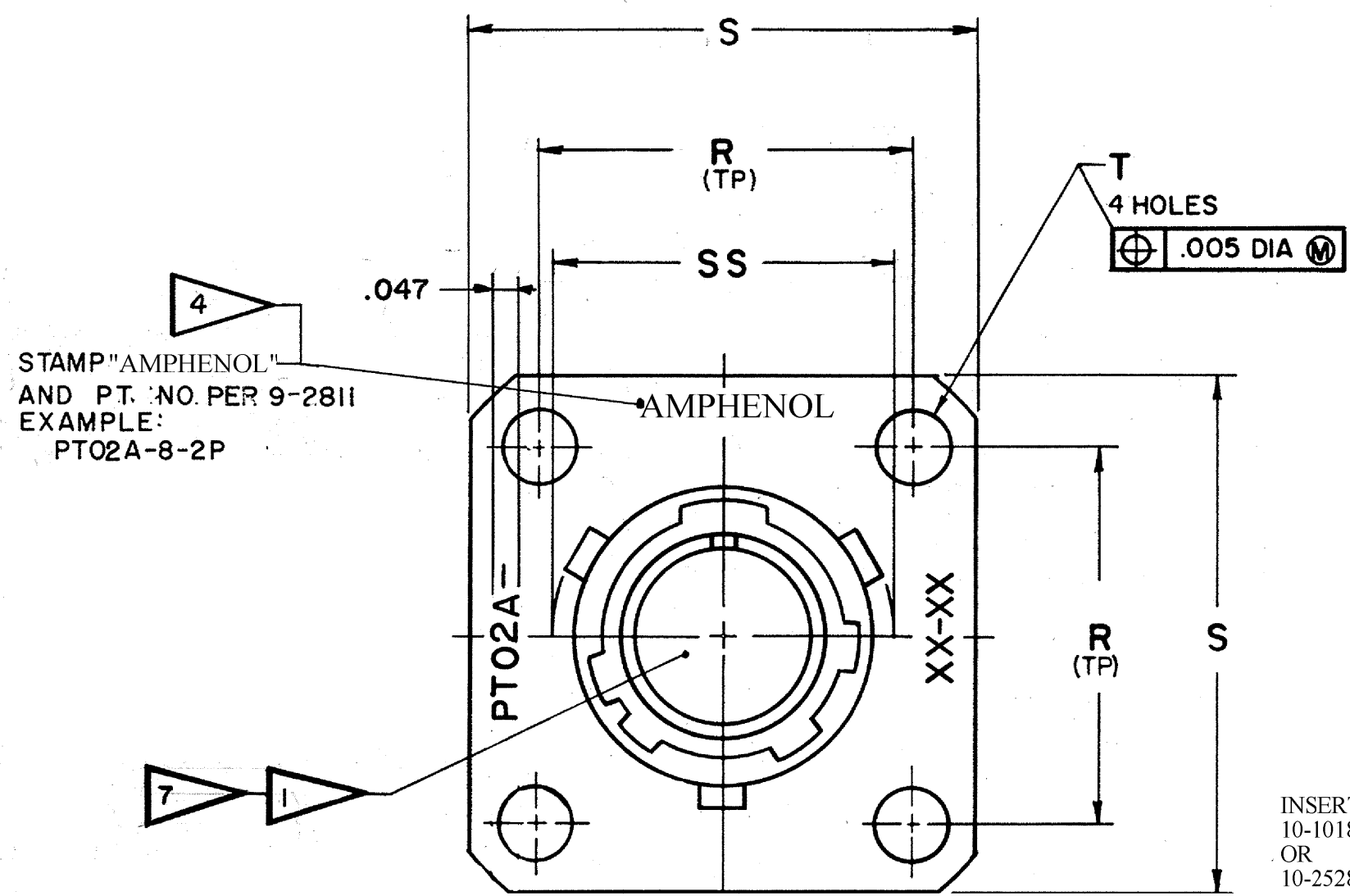


REL NO. 32508-147		REVISIONS		
CHG NO.	SYM	DESCRIPTION	DATE	APPROVED
45525-218	A1	REDRAWN SAME SIZE; REV. DATA (MFG)	9-10-65	Harrison
45525-1135	A2	STANDARDIZED	8-12-66	B. Roman
54525-85	A3	WAS E PIN INSERT; ADD. PIN INSERT (C)	1-10-73	Randall
98879	B	(CL II) ADDED 10-252806/824-XX3 SERIES TO INSERT IDENTIFICATION NOTE	12-2-06	JONES



**ACCESSORIES**  
(NOT PART OF STANDARD ASSEMBLY)

SEE DRAWING  
10-150000

USE OF THIS DOCUMENT IS UNLIMITED. DOCUMENTS REFERENCED HEREON CONTAIN LIMITED RIGHTS DATA.

ITEM NO.	QTY REQD	DESCRIPTION	PART NUMBER	CODE IDENT	ZONE	NEXT ASSEMBLY
<b>PARTS LIST</b>						
UNLESS OTHERWISE SPECIFIED			DRAWN: NICHOLS	DATE: 1-11-57	<b>THE Bendix CORPORATION</b> <b>SCINTILLA DIVISION</b> SIDNEY, NEW YORK, U.S.A.	
LINEAR DIMENSIONS ARE IN INCHES. TOLERANCES: 3 PLACES ±.010; 2 PLACES ±.03; 1 PLACE ±.1; ANGLES ±2°. OTHER STANDARDS PER SCINTILLA SPEC 9-3800 AND MIL-STD 8.			CHECKED: Keelon	DATE: 10-28-65		
MATERIAL SPEC			MATERIAL:	TITLE: CONNECTOR, ELECTRICAL RECEPTACLE, TYPE PT-A ( )FB, OLIVE DRAB		
PROCESS SPEC SEE SHEET 2			STANDARDS: J. Balantei 10-29-65	ENGINEERING: W. W. Harrison 11-1-65		
			DRAFTING: Duwet 10-29-65 A.H.	DEVELOPMENT: [Signature] 10-27-65	CODE IDENT NO. 77820	SIZE C
					71-146206 THRU 71-146250	
					SCALE NONE	WT REF SHEET 1 OF 2

SEE SHEET 2

NOTES: REF SYMBOL

71-146206/50

ASSEMBLY NUMBER	PT NO.	C +.010 -.025	D +.010 -.025	E +.010 -.020	K +.021 -.010	L ±.031	M +.010 -.000	N DIA +.001 -.005	R (TP)	S +.011 -.010	T DIA ±.005	U MAX	Z +.040 -.050	SS DIA +.000 -.016	KK DIA +.011 -.000
71-146206-	02A-6-	.337	.025	.085	.493	.743	.431	.348	.469	.688	.120	.153	.394	.439	.312
71-146208-	-8-							.473	.594	.812				.563	.438
71-146210-	-10-							.590	.719	.938				.680	.562
71-146212-	-12-							.750	.812	1.031				.859	.688
71-146214-	-14-							.875	.906	1.125				.984	.812
71-146216-	-16-							1.000	.969	1.219				1.108	.938
71-146218-	-18-							1.125	1.062	1.312				1.233	1.062
71-146220-	-20-	.399	.087	.147	.650	.994	.556	1.250	1.156	1.438		.215	.455	1.358	1.188
71-146222-	-22-				.650	.994	.556	1.375	1.250	1.562			.455	1.483	1.312
71-146224-	-24-				.683	1.027	.589	1.500	1.375	1.688	.147		.422	1.610	1.438
71-146225/50		NOT AVAILABLE													

5

- 7. FOR CONTACT ARRANGEMENTS, SEE L-15206/50.
- 6. UNITS ILLUSTRATED MEET THE MATERIAL & FINISH REQUIREMENTS OF MIL-C-26482.
- 5. FOR COMPLETE ASSEMBLY NO. & PT NO., ADD APPLICABLE INSERT ARRANGEMENT SUFFIX TO BASE NUMBERS LISTED ABOVE PER 9-2437-1.
- 4. STAMPING MAY BE ON EITHER SIDE OF FLANGE (ONE SIDE ONLY).
- 3. DISTANCE BETWEEN END OF SHELL & THE POINT AT WHICH A GAGE PIN, HAVING THE SAME BASIC DIAMETER AS THE MATING CONTACT & A SQUARE FACE, ENGAGES SOCKET CONTACT SPRING.
- 2. SEE DRAWING 71-146606/50 FOR REQUIRED MATING PLUG ASSEMBLIES.
- 1. INSERTS & CONTACTS MUST NOT BE REMOVED.

- 10. FOR ASSEMBLY NUMBERS 71-146214-91; 71-146218-80; 71-146218-90; 71-146218-91; 71-146220-90; 71-146222-4; 71-14622-7. SEE INDIVIDUAL DRAWINGS.
- 9. FOR COMPONENT PART NUMBERS OF DESIRED ARRANGEMENT, SEE APPLICABLE PARTS LIST.
- 8. SEE WORK ORDER FOR PERMISSIBLE ADDITIONAL OR ALTERNATE STAMPING.

NOTES: REF SYMBOL

SOLDER WELL DATA		
CONTACT SIZE	20	16
WELL DIA	.046 <sup>+0.004</sup> <sub>-0.000</sub>	.078 <sup>+0.004</sup> <sub>-0.002</sub>
WELL DEPTH	<sup>+0.031</sup> <sub>-0.000</sub>	.125 .188

THERMOCOUPLE CONTACT DATA (WHERE APPLICABLE)	
MATERIAL	IDENTIFICATION
CHROMEL	WHITE
ALUMEL	GREEN
IRON	BLACK
CONSTANTAN	YELLOW

ITEM NO.	QTY REQD	DESCRIPTION	PART NUMBER	CODE IDENT	ZONE
<b>PARTS LIST</b>					
UNLESS OTHERWISE SPECIFIED			DRAY NICHOLS	DATE 1-11-57	
LINEAR DIMENSIONS ARE IN INCHES. TOLERANCES: 3 PLACES ±.010; 2 PLACES ±.03; 1 PLACE ±.1; ANGLES ±2°. OTHER STANDARDS PER SCINTILLA SPEC 9-3800 AND MIL-STD 8.			CHECKED: Tealon	DATE 10-28-65	
MATERIAL SPEC			STANDARDS: J. Balantini 10-29-65		
PROCESS SPEC TEST 9-3980-2 ASSY 9-3443 9-2437-1			DRAFTING: Sweet 10-29-65 A.H.		
9-2811			ENGINEERING: W. M. Harris 11-1-65		
			DEVELOPMENT: Sweet 10-27-65		
<b>SCINTILLA DIVISION</b> CORPORATION SIDNEY, NEW YORK, U.S.A.					
<b>CONNECTOR, ELECTRICAL RECEPTACLE, TYPE PT-A ( )FB, OLIVE DRAB</b>					
CODE IDENT NO.	SIZE	71-146206 THRU 71-146250			
77820	C				
SCALE NONE	WT.	REF.	SHEET 2		

71-146206/50

# Mouser Electronics

Authorized Distributor

Click to View Pricing, Inventory, Delivery & Lifecycle Information:

## Amphenol:

[PT02A2461PX](#) [PT02A-14-15S](#) [PT02A-22-55S](#) [PT02A-22-55P](#) [PT02A-14-5S](#) [PT02A-20-16S](#) [PT02A-22-21P](#)  
[PT02A-22-21S](#) [PT02A-22-34S](#) [PT02A-22-34P](#) [PT02A-16-8P](#) [PT02A-10-6S](#) [PT02A-10-6P](#) [PT02A-14-5P](#) [PT02A-16-8S](#) [PT02A-12-3P](#) [PT02A-12-3S](#) [PT02A-16-23P](#) [PT02A-16-23S](#) [PT02A-16-26S](#) [PT02A-16-26P](#) [PT02A-18-32S](#)  
[PT02A-18-32P](#) [PT02A-18-11S](#) [PT02A-18-11P](#) [PT02A-10-5P](#) [PT02A-10-5S](#) [PT02A-20-27S](#) [PT02A-20-27P](#) [PT02A-20-24S](#) [PT02A-20-24P](#) [PT02A-8-2S](#) [PT02A-8-2P](#) [PT02A-10-98P\(025\)](#) [PT02A-10-98S\(025\)](#) [PT02A-12-4P\(025\)](#)  
[PT02A-12-4S\(025\)](#) [PT02A-12-8P\(025\)](#) [PT02A-12-8S\(025\)](#) [PT02A-14-12P\(025\)](#) [PT02A-14-12S\(025\)](#) [PT02A-14-15P\(025\)](#) [PT02A-14-15S\(025\)](#) [PT02A-14-18P\(025\)](#) [PT02A-14-18S\(025\)](#) [PT02A-16-23P\(025\)](#) [PT02A-16-23S\(025\)](#)  
[PT02A-16-26P\(025\)](#) [PT02A-16-26S\(025\)](#) [PT02A-16-8P\(025\)](#) [PT02A-18-11P\(025\)](#) [PT02A-18-11S\(025\)](#) [PT02A-18-32P\(025\)](#) [PT02A-18-32S\(025\)](#) [PT02A-20-27P\(025\)](#) [PT02A-20-27S\(025\)](#) [PT02A-20-41P\(025\)](#) [PT02A-20-41S\(025\)](#)  
[PT02A-22-21P\(025\)](#) [PT02A-22-21S\(025\)](#) [PT02A-8-2P\(025\)](#) [PT02A-8-2S\(025\)](#) [PT02A-8-3P\(025\)](#) [PT02A-8-3S\(025\)](#) [PT02A-10-6P\(025\)](#) [PT02A-10-6S\(025\)](#) [PT02A-12-10P\(025\)](#) [PT02A-12-10S\(025\)](#) [PT02A-12-3P\(025\)](#) [PT02A-12-3S\(025\)](#) [PT02A-14-5S\(025\)](#) [PT02A-14-19P\(025\)](#) [PT02A-14-19S\(025\)](#) [PT02A-14-5P\(025\)](#) [PT02A-16-8S\(025\)](#)  
[PT02A-20-16P\(025\)](#) [PT02A-20-16S\(025\)](#) [PT02A-22-55P\(025\)](#) [PT02A-22-55S\(025\)](#) [PT02A-8-4P\(025\)](#) [PT02A-10-6SW](#)  
[PT02A-12-10SX](#) [PT02A-12-10PW](#) [PT02A-12-10PX](#) [PT02A-14-19PW](#) [PT02A-20-41PW](#) [PT02A-20-41SW](#) [PT02A-18-32SW](#) [PT02A-8-3S](#) [PT02A-8-3P](#) [PT02A-8-4S](#) [PT02A-8-4P](#) [PT02A-20-41P](#) [PT02A-20-41S](#) [PT02A-12-10P](#)  
[PT02A-12-10S](#) [PT02A-14-19S](#) [PT02A-14-19P](#) [PT02A-20-16P](#) [PT02A-14-15P](#)