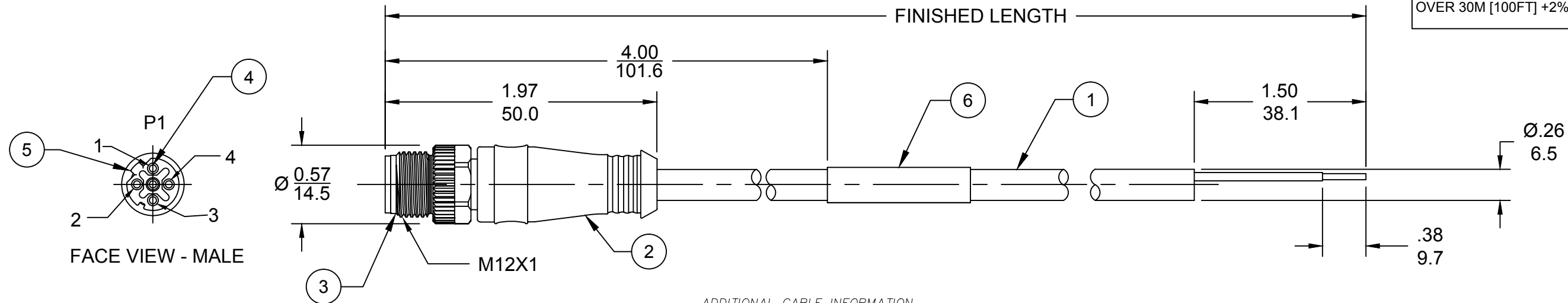


MATERIAL NUMBER	ENG. NUMBER	LENGTH
1201088542	E10A00616M020	2M (6' 7")
1201088543	E10A00616M050	5M (16; 5")
1201088544	E10A00616M100	10M (32' 10")
1201088545	E10A00616M200	20M (65' 7")
1201088546	E10A00616M300	30M (98' 5")
1201088547	E10A00616M500	50M (164')

CHART

CABLE LENGTH TOLERANCES

>.3M [1FT]:	+19mm-0 [+ .75in-0]
.3 - .9M [1 - 3FT]:	+44.5mm-0 [+1.75in-0]
.9 - 1.8M [3 - 6FT]:	+55.6mm-0 [+2.19in-0]
1.8 - 3.7M [6 - 12FT]:	+88.9mm-0 [+3.50in-0]
3.7 - 7.3M [12 - 24FT]:	+165.1mm-0 [+6.50in-0]
7.3-14.6M [24 - 48FT]:	+317.5mm-0 [+12.50in-0]
14.6 - 30.5M [48-100FT]:	+622.3mm-0 [+24.50in-0]
OVER 30M [100FT]	+2% OF FINISHED LENGTH



CABLE TYPE

**E10A00616MXXX**

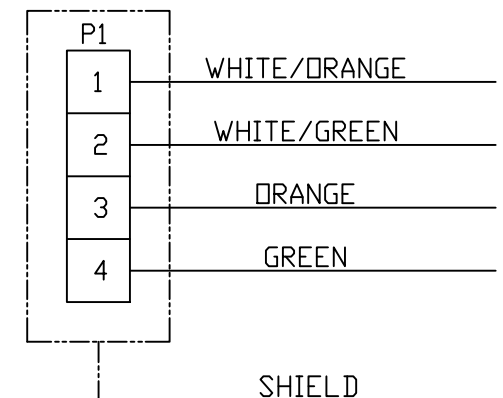
LENGTH  
M005 - 0.5M  
M050 - 5M  
M200 - 20M

- NOTES:
1. MATERIAL: AS NOTED
  2. FINISH: AS NOTED
  3. ELECTRICAL:  
VOLTAGE: 125V  
CURRENT: 1.5A
  4. TEMP RATING: AS NOTED.  
PROTECTION: IP67 (WHEN MATED)
  6. ALL DIMS ARE FOR REFERENCE  
UNLESS NOTED OTHERWISE

ADDITIONAL CABLE INFORMATION

PHYSICAL CHARACTERISTICS:	
CONDUCTOR SIZE	24AWG 2 PAIR (19/0.12mm) BARE COPPER
INSULATION MATERIAL	POLYOLEFIN
SHIELD/BRAID	TINNED COPPER 85% COVERAGE
JACKET MATERIAL	PUR (TEAL)
CONDUCTOR TAPE	ORANGE, ORANGE-WHITE & GREEN, GREEN-WHITE

CABLE:	
TEMPERATURE RATING (STORAGE)	-40 / +80°C
TEMPERATURE RATING (OPERATION)	-20 / +50°C
WELD SLAG RESISTANCE	YES, S-300 MOLEX TEST
FREE SUBSTANCE'S	FCKW, SILICONE, AND PB
FIRE PERFORMANCE	IEC60332-1, UL1581
OIL RESISTANCE	ISO6722, UL758/2556



WIRING DIAGRAM

ITEM	DESCRIPTION	MATERIAL	FINISH
6	WRAP LABEL	VINYL	BLACK/YELLOW
5	INSERT	PUR	BLACK
4	M12 MALE PIN CONTACT	COPPER ALLOY	GOLD PLATED
3	M12 COUPLING NUT	BRASS	NICKEL PLATED
2	OVERMOLD	PUR	BLACK
1	CABLE: 2 X 2, 24 AWG, SHIELDED	PUR	TEAL

RELEASED EC NO: IPG2018-0091 DRWN: RSTONE 2017/08/04 CHKD: M ZIELIN APPR: BWOODMAN2017/08/11	DESCRIPTION REV	QUALITY SYMBOLS	GENERAL TOLERANCES (UNLESS SPECIFIED) <table border="1"> <thead> <tr> <th></th> <th>mm</th> <th>INCH</th> </tr> </thead> <tbody> <tr> <td>4 PLACES</td> <td>±---</td> <td>±---</td> </tr> <tr> <td>3 PLACES</td> <td>±---</td> <td>±---</td> </tr> <tr> <td>2 PLACES</td> <td>±---</td> <td>±---</td> </tr> <tr> <td>1 PLACE</td> <td>±---</td> <td>±---</td> </tr> </tbody> </table> ANGULAR ±---°		mm	INCH	4 PLACES	±---	±---	3 PLACES	±---	±---	2 PLACES	±---	±---	1 PLACE	±---	±---	DIMENSION STYLE	SCALE	DESIGN UNITS	THIRD ANGLE PROJECTION
				mm	INCH																	
		4 PLACES		±---	±---																	
		3 PLACES		±---	±---																	
2 PLACES	±---	±---																				
1 PLACE	±---	±---																				
	IN/MM	---	INCH																			
DRAWN BY DATE RSTONE 2017/08/04		TITLE <b>MICRO-CHANGE CABLE ASSY          D-CODE, MALE STR          2TP X 24AWG PUR TEAL</b>																				
CHECKED BY DATE M ZIELIN ---		<b>MOLEX INCORPORATED</b>																				
APPROVED BY DATE BWOODMAN 2017/08/11		MATERIAL NO.		DOCUMENT NO.		SHEET NO.																
DRAFT WHERE APPLICABLE MUST REMAIN WITHIN DIMENSIONS		<b>SEE CHART</b>		<b>SD-120108-101</b>		<b>1 OF 1</b>																
THIS DRAWING CONTAINS INFORMATION THAT IS PROPRIETARY TO MOLEX INCORPORATED AND SHOULD NOT BE USED WITHOUT WRITTEN PERMISSION																						