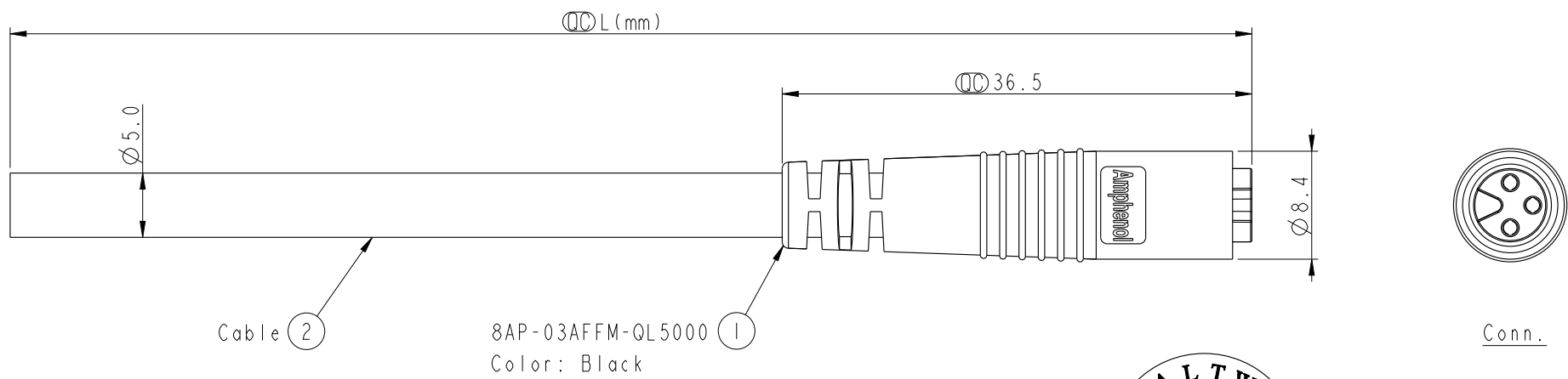


THIS DOCUMENT IS SUBJECT TO CHANGE WITHOUT NOTICE. IT IS CONFIDENTIAL AND A PROPERTY OF Amphenol LTW. DISCLOSURE TO THIRD PARTY HAS TO BE AUTHORIZED BY Amphenol LTW.

REV.	ECN NO.	DATE	SIGN	DESCRIPTION



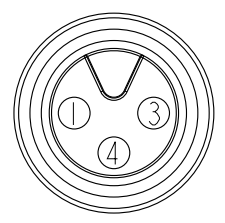
ALTW
CONFIDENTIAL
2013-10-24
R&D DEPT.

8AP-03AFFM-QL5AXX

XX: 01~99Meters
 01: 01Meter
 02: 02Meter
 ...
 99: 99Meters
 Cable Length(L): 01~99Meters

- Note:
- * \varnothing Important Dimension.
 - * Waterproof Rate: IP65.
 - * Connector: PU, Black.
 - * Female Pin: Copper Alloy, Gold Plated.
 - * Cable: UL2464 22AWG*3C+Talcum, PVC Jacket, UV Resistant, OD=5.0, Black.
 - * Cable Length Tolerance:
 - 01M: ±40mm
 - 02~05M: ±60mm
 - 06~10M: ±100mm
 - 11~30M: ±200mm
 - 31~99M: ±500mm

ALTW
DCC. DEPT.
CONFIDENTIAL
2014.02.25
ISSUED



Pin Assignments
Front View

Pin	Wire Color	Pin Out
4	Black 黑	
3	Blue 藍	
1	Brown 棕	
Conn.	Wire Color	Pin Out

UNIT:mm

TOLERANCE
±0.5 mm

TITLE M8 3Pin Cable F Conn. F Pin			
SCALE 2:1	SIZE A4	SHEET 1 OF 1	
REV. A	WC-REV. A.1	Ⓞ: Inspection item	

Amphenol LTW
安費諾亮泰企業股份有限公司

ITEM NO	DRAWN BY Tony_leng	DATE 2013-10-24
DWG NO 8AP-03AFFM-QL5AXX	CHECKED BY Jimmy	DATE 2013-10-24
CUSTOMER ALTW	APPROVED BY Jerry	DATE 2013-10-24

Mouser Electronics

Authorized Distributor

Click to View Pricing, Inventory, Delivery & Lifecycle Information:

[Amphenol:](#)

[8AP-03AFFM-QL5A01](#)