

5

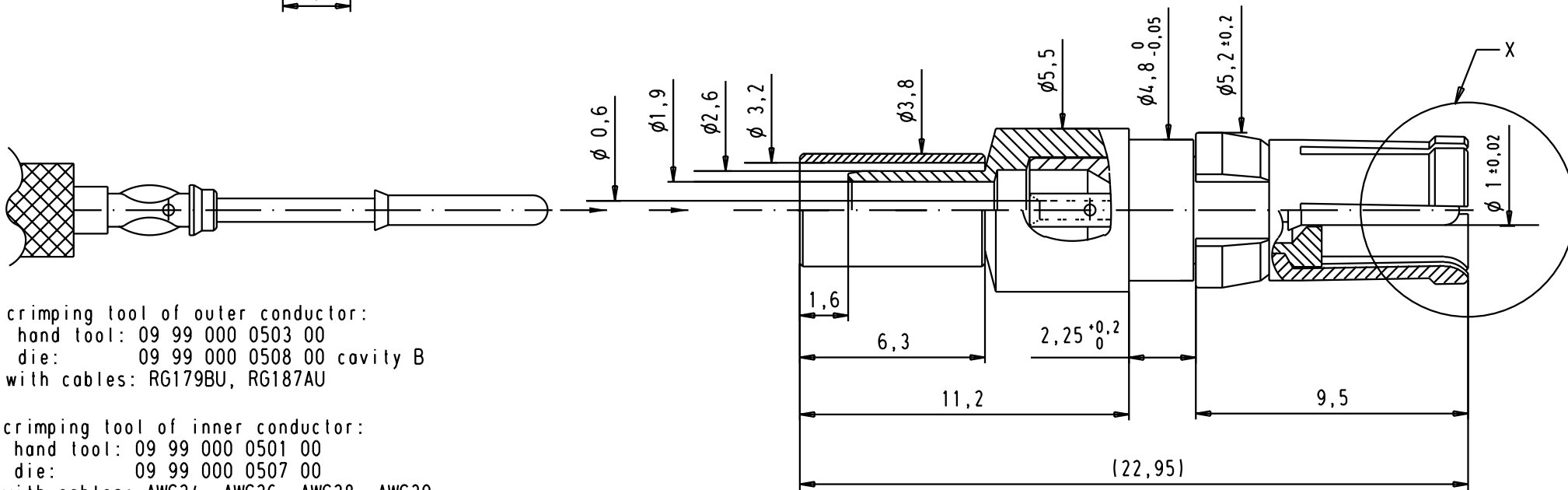
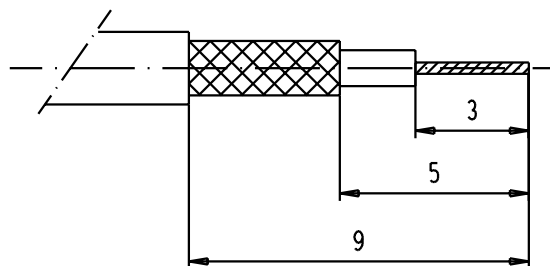
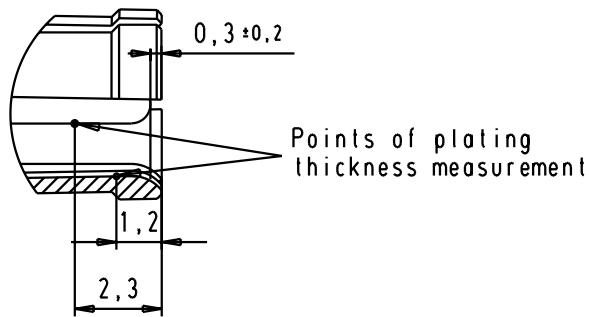
4

3

2

1

harnessing dimensions



crimping tool of outer conductor:
hand tool: 09 99 000 0503 00
die: 09 99 000 0508 00 cavity B
with cables: RG179BU, RG187AU

crimping tool of inner conductor:
hand tool: 09 99 000 0501 00
die: 09 99 000 0507 00
with cables: AWG24, AWG26, AWG28, AWG30

A

					Detail.	Dat.	Name	<p>All Dim. in mm Orig. Size DIN A 4</p>	Female coaxial contact 75 Ohms straight cable terminaison, inner and outer conductor for crimp termination	Maßstab/ Scale 5:1
09691827230	Mating area	0,2 µm Au	0,2 µm Au	Insp.	21-JUN-02	CV				
	Termination area	5 µm Sn	0,2 µm Au	Stand.						
09691825230	Mating area	0,8 µm Au	1,3 µm Au					TB 09 69 182 x230	Blatt/ Page 1 / 1	
	Termination area	0,2 µm Au	1,3 µm Au	31057	21-JUN-02	CV				
Part number	Plating	outer conductor	inner conductor	Mod.	Dat.	Name	HARTING EURL F-95972 Paris		Sub.	

