

5

4

3

2

1

D

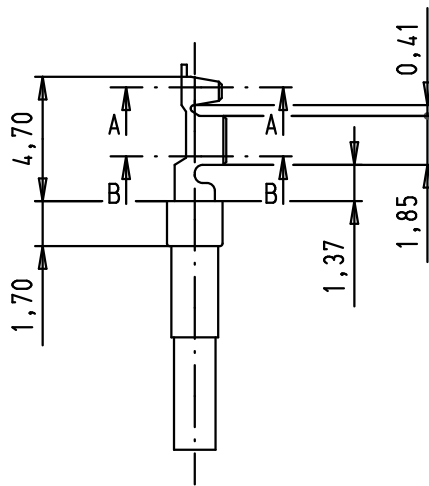
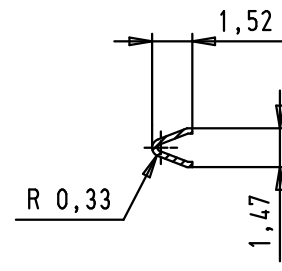
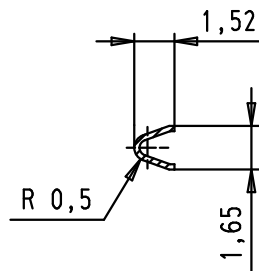
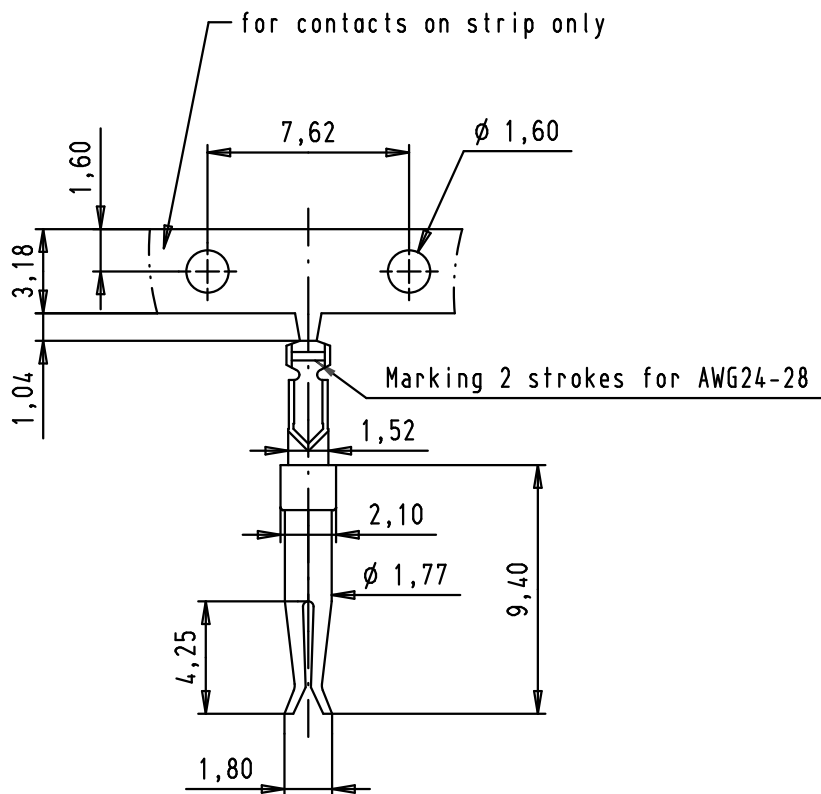
C

B

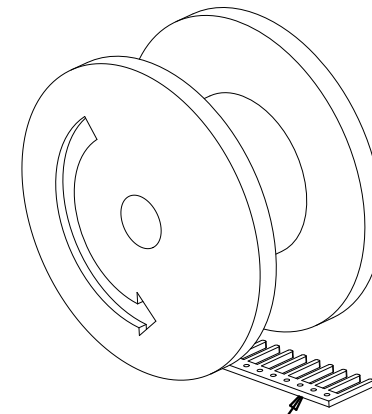
A

Section A-A

Section B-B



Reel unrolling left



orientation of crimping area

Base material: brass
 Plating: sliding contact selective gold plated over nickel
 nickel plated crimp area
 Number of contacts per reel: 500

09 67 000 7268	PL2
09 67 000 7267	PL3
09 67 000 7266	PL1
Part number	Performance level

				Dat.	Name
			Detail.	24/03/03	PP
			Insp.	13/01/12	JB
36288	13/01/12	SD	Stand.		
33937	01/03/07	PK			
31476	24/03/03	PP			
Mod.	Dat.	Name	HARTING EURL F-95972 Paris		



D-Sub, stamped female
 AWG 24-28 crimp contact,
 reel unrolling left

Maßstab/
Scale
3,5:1

TB 09 67 000 726X

Blatt/ Page
1 / 1



Sub.