

CURRENT REGULATIVE LED

CRLED

- CRLED is LED which supplies constant current to keep LED Intensity Consistency even when power supply voltage fluctuations or load impedance fluctuations occur.

- CRLED is used with current stabilization and current limiting

■ Features

- High Luminous LEDs / 5mm Round Standard Directivity
- Superior Weather-resistance / UV Resistant Epoxy
- Water Clear Type

■ Absolute Maximum Rating

(Ta=25°C)

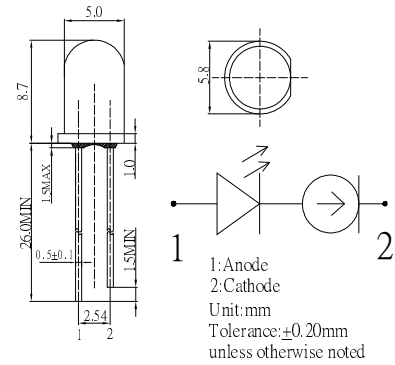
Item	Symbol	Value	Unit
DC Forward Voltage	V _F	20	V
Power Dissipation	P _D	320	mW
Operating Temperature	T _{opr}	-30 ~ +85	°C
Storage Temperature	T _{stg}	-40~ +100	°C
Lead Soldering Temperature	T _{sol}	260°C/5sec	-

■ Electrical -Optical Characteristics

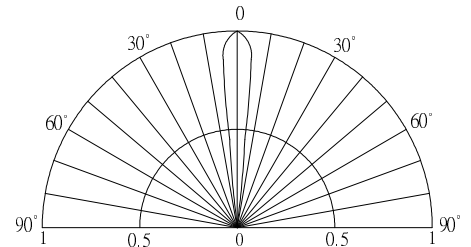
(Ta=25°C)

Part Number	Color	V _F (V)		I _F (mA)			I _R (μA)	I _v (mcd)*			λD(nm)*			2θ1/2(deg)
		Min	Max.	Min	Typ.	Max.	Max..	Min.	Typ.	Max.	Min.	Typ.	Max.	Typ.
		V _F =12V			V _R =8V			V _F =12V						
OSW5DK5111A-CRLED14	White	5.5	20	-	14	-	10	-	18000	-	X=0.27, Y=0.28			15
OSM5DK5111A-CRLED14	Warm White	5.5	20	-	14	-	10	-	14400	-	X=0.45, Y=0.41			15
OSK5DK5111A-CRLED14	Pink	5.5	20	-	14	-	10	-	4200	-	X=0.45, Y=0.17			15
OSB64L5111A-CRLED14	Ice Blue	5.5	20	-	14	-	10	-	18000	-	X=0.19, Y=0.29			15
OSB5SA5111A-CRLED14	Blue	5.5	20	-	14	-	10	-	12000	-	465 470 475			15
OSG5DA5111A-CRLED14	Pure Green	5.5	20	-	14	-	10	-	22000	-	520 525 530			15
OSY5MA5111A-CRLED14	Yellow	5	20	-	14	-	10	-	14400	-	585 590 595			15
OS5OGA5111A-CRLED14	Orange	5	20	-	14	-	10	-	18000	-	600 605 610			15
OSR5MA5111A-CRLED14	Red	5	20	-	14	-	10	-	14400	-	620 625 630			15

■ Outline Dimension



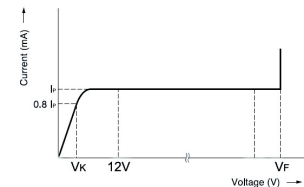
■ Directivity



*1 Tolerance of measurements of chromaticity coordinate is ±10%
 *2 Tolerance of measurements of dominant wavelength is ±1nm
 *3 Tolerance of measurements of luminous intensity is ±15%
 *4 Tolerance of measurements of forward voltage is ±0.1V

■ Applications

- Electronic Signs And Signals/ Small Area Illuminations
- Back Lighting/ Toys/ Other Lighting

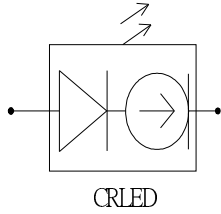


Explanation of terms
 I_v Pinch-off current at 12V
 V_k Voltage which produces 0.8Ip or greater current
 V_F Breakdown voltage

Current Regulative LED
5mm Round LED
OSXXXX5111A-CRLED14

■ **Typical Applications**

1: Single LED



2: Multi- LEDs in series

