



Technical data // **PT65 7 01 L254**

Rotary Code Switch

Left angular 2.54 mm pitch



**Highlights**

- Solid PCB pins
- Contacts with abrasion resistant hard gold plating
- Extra sealed design
- Switches are solder and flux sealed and washable
- Excellent detent, once more improved
- 100 % electronic inspection and testing

**Mechanical Data**

Type	vertical
Fixation mode	THT
Height	10.0 mm
Length	9.34 mm
Width	10.0 mm
Pin connection	3+3
Perm. ambient temperature	-20 °C ... +70 °C
Perm. storage temperature	-40 °C ... +85 °C
Torque	(typically) 1.7 Ncm
Mechanical lifetime	30.000 steps
Degree of protection	comparable IP67
Sealing	O-Ring
Humidity	21 days at 40 °C, 93 %RH
Iron soldering	2 s / 340 °C
Sinus-vibration testing	acc. IEC 68-2-6
Frequency range	10 Hz ... 500 Hz ... 10 Hz, sliding
Amplitude	6.0 mm
Acceleration	10.0 g
Shock testing	acc. IEC 68-2-27
Shock acceleration amplitude	50.0 g
Duration of nominal shock	11.0 ms
Directions	6 ( $\pm x$ , $\pm y$ , $\pm z$ ) 3 times each
Wave soldering	Double Wave acc. DIN EN 61760-1:2006



Technical data

// PT65 7 01 L254

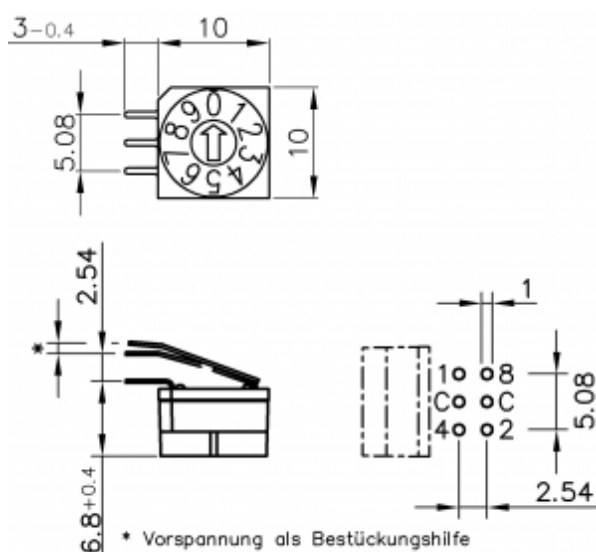
Rotary Code Switch

Left angular 2.54 mm pitch

**Electrical Data**

Operating voltage	<= 42.0 V
Standby current	<= 0.2 A
Contact load, dynamic	<= 0.15 A
Minimum load	1.0 µA 20mVDC
Test voltage	250.0 V 50 Hz / 1.0 min
Contact resistance	< 80.0 mOhm
Insulation resistance	> 100.0 MOhm

Technical Drawing



Initial tension for easy manual PCB assembly

Configuration

Actuators



Cross shaped slot



Technical data

// PT65 7 01 L254

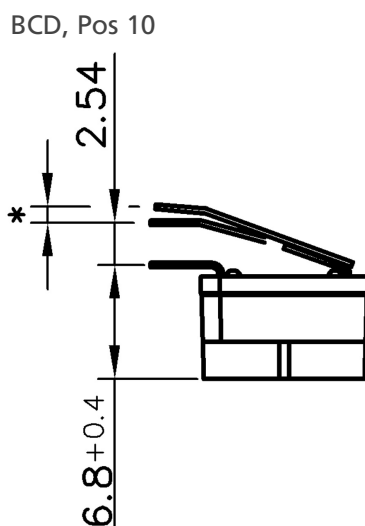
Rotary Code Switch

Left angular 2.54 mm pitch

Codes

BCD Typ 01						
	C	1	2	4	8	
0	●				0	
1	●	●			1	
2	●		●		2	
3	●	●	●		3	
4	●			●	4	
5	●	●		●	5	
6	●		●	●	6	
7	●	●	●	●	7	
8	●				●	8
9	●	●			●	9

Contact pins



Left angular 2.54 mm



**PTR HARTMANN**

A Phoenix Mecano Company

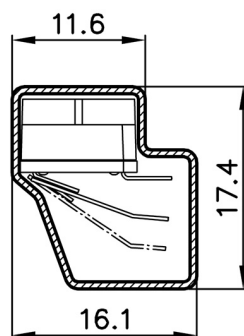
Technical data

**// PT65 7 01 L254**

Rotary Code Switch

Left angular 2.54 mm pitch

Packing depending on acutator



Tube PT65 7...L254