



Technical data // **PT65 5 06 L508 -**

Rotary Code Switch

Left angular 5.08mm pitch



Highlights

- Solid PCB pins
- Contacts with abrasion resistant hard gold plating
- Extra sealed design
- Switches are solder and flux sealed and washable
- Excellent detent, once more improved
- 100 % electronic inspection and testing

Mechanical Data

| | |
|------------------------------|------------------------------------------------|
| Type | vertical |
| Fixation mode | THT |
| Height | 10.0 mm |
| Length | 11.88 mm |
| Width | 10.0 mm |
| Pin connection | 3+3 |
| Perm. ambient temperature | -20 °C ... +70 °C |
| Perm. storage temperature | -40 °C ... +85 °C |
| Torque | (typically) 1.7 Ncm |
| Mechanical lifetime | 30.000 steps |
| Degree of protection | comparable IP67 |
| Sealing | O-Ring |
| Humidity | 21 days at 40 °C, 93 %RH |
| Wave soldering | Double Wave acc. DIN EN 61760-1:2006 |
| Iron soldering | 2 s / 340 °C |
| Sinus-vibration testing | acc. IEC 68-2-6 |
| Frequency range | 10 Hz ... 500 Hz ... 10 Hz, sliding |
| Amplitude | 6.0 mm |
| Acceleration | 10.0 g |
| Shock testing | acc. IEC 68-2-27 |
| Shock acceleration amplitude | 50.0 g |
| Duration of nominal shock | 11.0 ms |
| Directions | 6 ($\pm x$, $\pm y$, $\pm z$) 3 times each |



Technical data

// PT65 5 06 L508 -

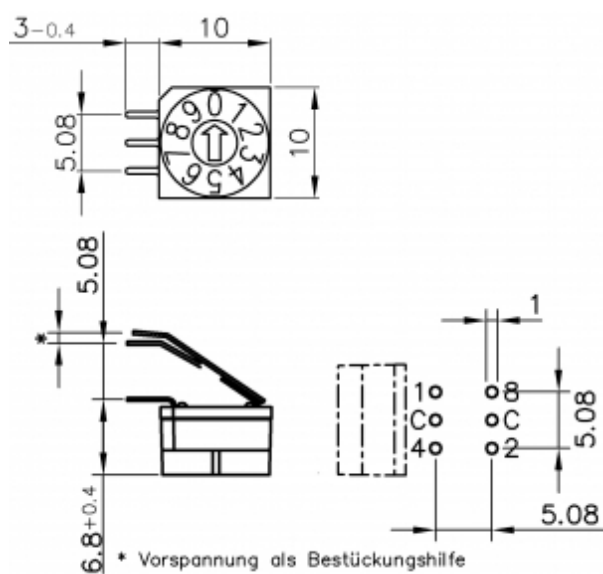
Rotary Code Switch

Left angular 5.08mm pitch

Electrical Data

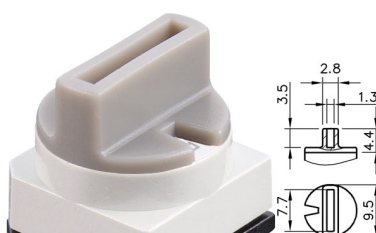
| | |
|-----------------------|-------------------------|
| Operating voltage | ≤ 42.0 V |
| Standby current | ≤ 0.2 A |
| Contact load, dynamic | ≤ 0.15 A |
| Minimum load | 1.0 μ A 20mVDC |
| Test voltage | 250.0 V 50 Hz / 1.0 min |
| Contact resistance | < 80.0 mOhm |
| Insulation resistance | > 100.0 MOhm |

Technical Drawing



Configuration

Actuators



Segment wheel

Technical data

// PT65 5 06 L508 -

Rotary Code Switch

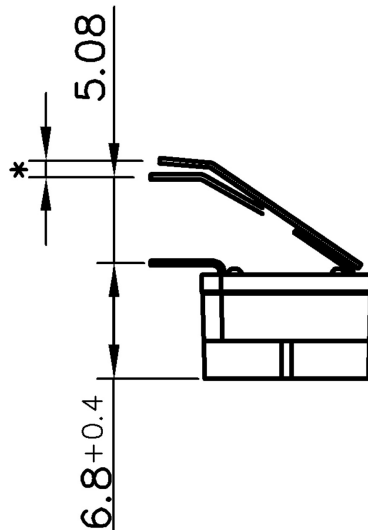
Left angular 5.08mm pitch

Codes

| Hexadezimal Compl. Typ 06 | | | | | | |
|------------------------------|---|-----------|-----------|-----------|-----------|---|
| | C | $\bar{1}$ | $\bar{2}$ | $\bar{4}$ | $\bar{8}$ | |
| 0 | ● | ● | ● | ● | ● | 0 |
| 1 | ● | | ● | ● | ● | ● |
| 2 | ● | ● | | ● | ● | 2 |
| 3 | ● | | | ● | ● | ● |
| 4 | ● | ● | ● | | ● | 4 |
| 5 | ● | | ● | | ● | ● |
| 6 | ● | ● | | | ● | 6 |
| 7 | ● | | | | ● | ● |
| 8 | ● | ● | ● | ● | | 8 |
| 9 | ● | | ● | ● | | ● |
| 10 | ● | ● | | ● | | A |
| 11 | ● | | | ● | | ● |
| 12 | ● | ● | ● | | | C |
| 13 | ● | | ● | | | ● |
| 14 | ● | ● | | | | E |
| 15 | ● | | | | | ● |

Hexadecimal Complement,
16

Contact pins



Left angular 5.08 mm



PTR HARTMANN

A Phoenix Mecano Company

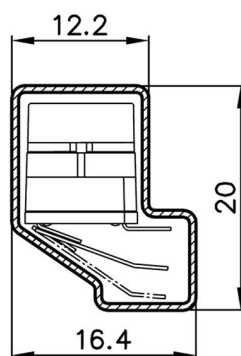
Technical data

// PT65 5 06 L508 -

Rotary Code Switch

Left angular 5.08mm pitch

Packing depending on acutator



Tube PT65 5...L508