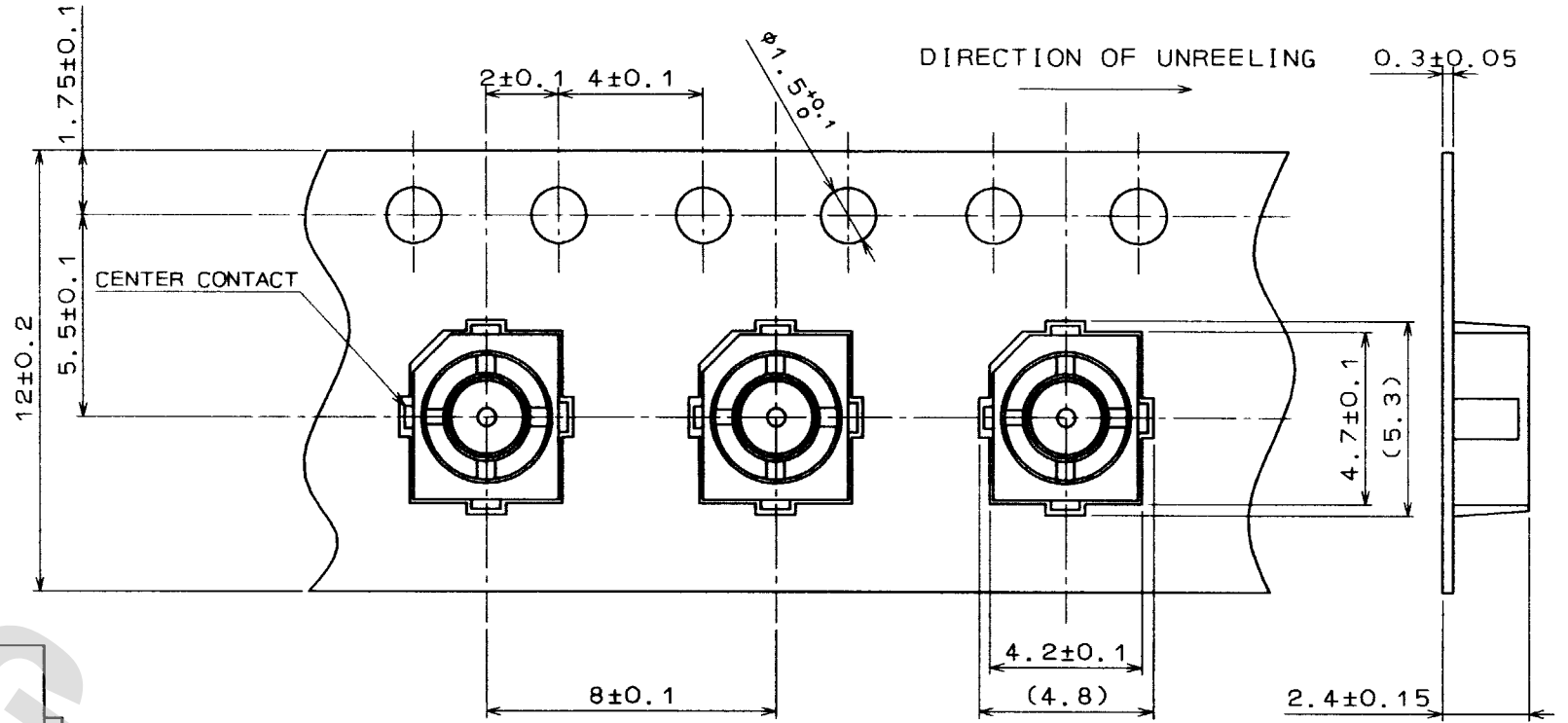
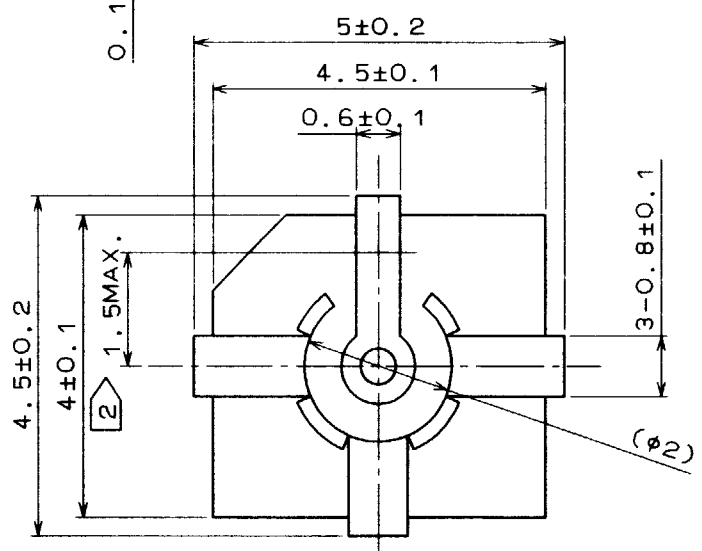
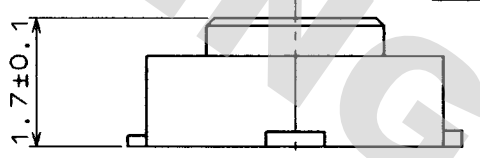
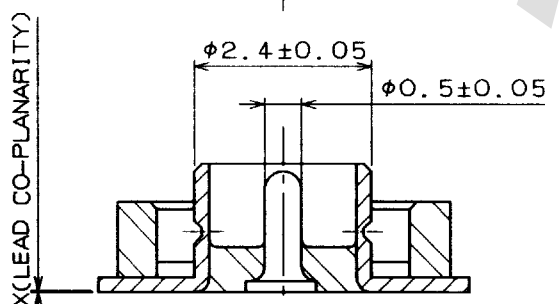
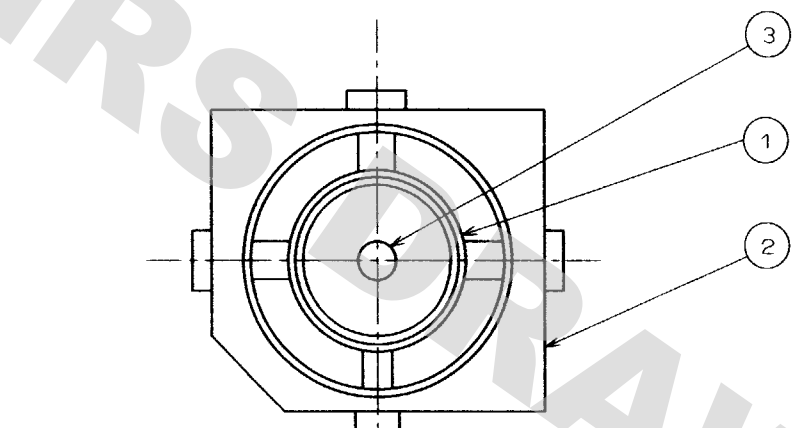
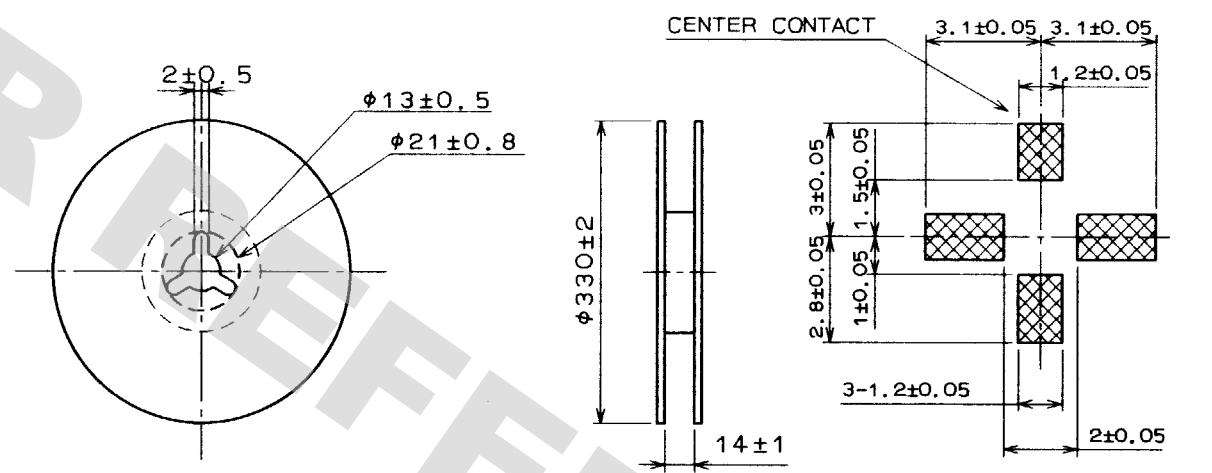


1 2 3 4 5 6 7 8

COUNT	DESCRIPTION OF REVISIONS	BY	CHKD	DATE	COUNT	DESCRIPTION OF REVISIONS	BY	CHKD	DATE



ENBOSED TAPING DRAWING (5:1)



REEL DRAWING (SCALE FREE)

RECOMMENDED PC BOARD PATTERN DRAWING (5:1)

DRAWING FOR REFERENCE: This is subject to change without notice 08/11/2012

NOTE 1 THE QUANTITY OF H.FL-R-SMT(10) IS 2500 CONNECTORS PER REEL.

② THIS DIMENSION SHOWS THE ALLOWABLE RANGE THAT THE RESIN IS PUT OVER THE CENTER CONTACT.

TO  
RF  
USA

2	LCP	(BRACK), UL94V-0			
1	PHOSPHOR BRONZE	SILVER PLATED	3	BRASS	GOLD PLATED
NO.	MATERIAL	FINISH, REMARKS	NO.	MATERIAL	FINISH, REMARKS
CODE NO. (OLD)	CL		DRAWN	DESIGNED	CHECKED
			M.EZAKI	M.NAGASHIMA	I.MITANI
DRAWING NAME	DRAWING FOR APPROVAL		93.7.23	93.7.26	93.7.27
				93.7.27	93.7.27
SCALE	10:1		DRAWING NO.	PART NO.	
UNITS	mm		EDC3-46538-10	H.FL-R-SMT(10)	
	HRS HIROSE ELECTRIC CO., LTD.		CODE NO.	CL331-0521-6-10	