

K31100600-NI

High Security Key Switches



High Security 2pole, 2 position changeover 2 Key Entry keyswitch with electrically isolated contacts (no links between terminals).

90 degree operating between 12 o'clock and 3 o'clock, both positions latched.

The switch modules offer screw terminals as standard, and are bayonet mounted to the locking cylinder allowing easier/separate wiring.

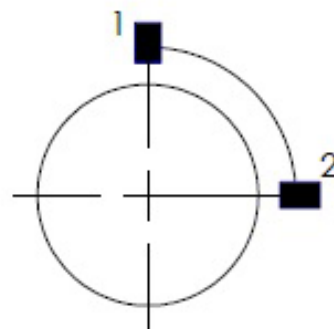
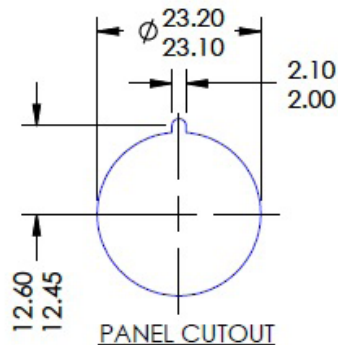
Features:

The K3110 high security keyswitches use the Kaba 20 lock system to offer the highest level of security for heavy duty applications.

With a 20-pin lock mechanism, each key is unique in the world and the design of the key makes it virtually impossible to copy.

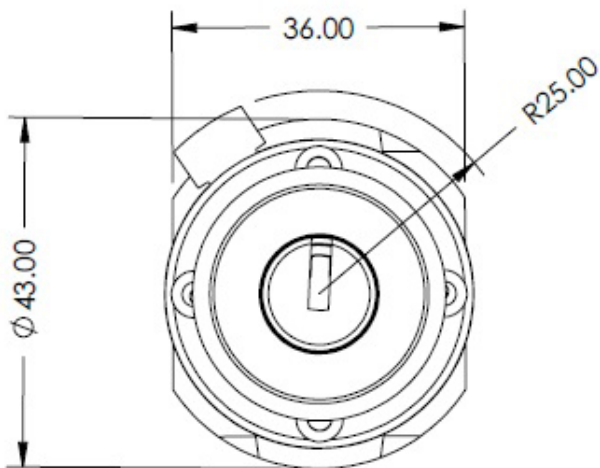
This concept of key security can be further enhanced by registering the keys with the manufacturers using the registration card supplied. Duplicates can then only be obtained by the registered authorised signatory

- This industry rated switch is suitable for heavy/severe duty industrial applications which require a bespoke locking solution.
- This range offers functionality as well as a broad range of switching options to service a wide variety of heavy duty applications.
- Strong reversible nickel silver keys
- High security key registration
- Multiple Key Entry and switching options available
- Available as standard differ, keyed alike or master keyed

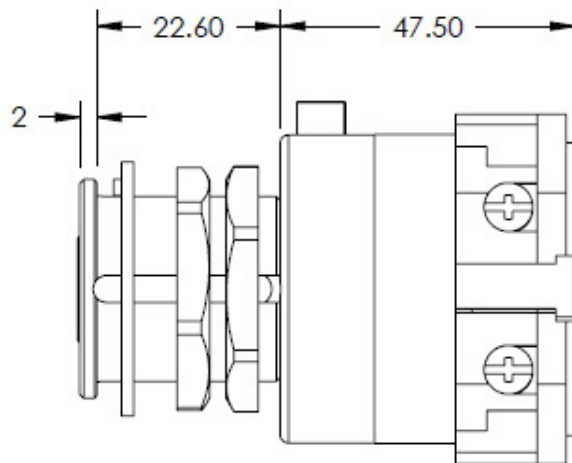


**KID116. TWO KEY ENTRY AT POSITIONS 1 & 2
90° MOVEMENT TO POSITION 2 CHANGEOVER**

Key switch end view



Key switch side view



Technical

K3110 Series

Contact rating, resistive load	24V DC = 20A 440V AC = 20A
Minimum Volts/amps	20V/5 mA
Contact Material	Silver (Gold optional)
Mechanical Service Life	< 1,000,000 operations
Operating temperature range	Min air temperature 1) -25 °C = No excessive shock or vibration 2) - 5 °C = Normal use. Max air temperature. For 100% thermal rating, Ith 1) + 55 °C (average over 24 hrs with peaks up to 60 °C)
Depth behind panel	70.1mm
Terminal type	Screw