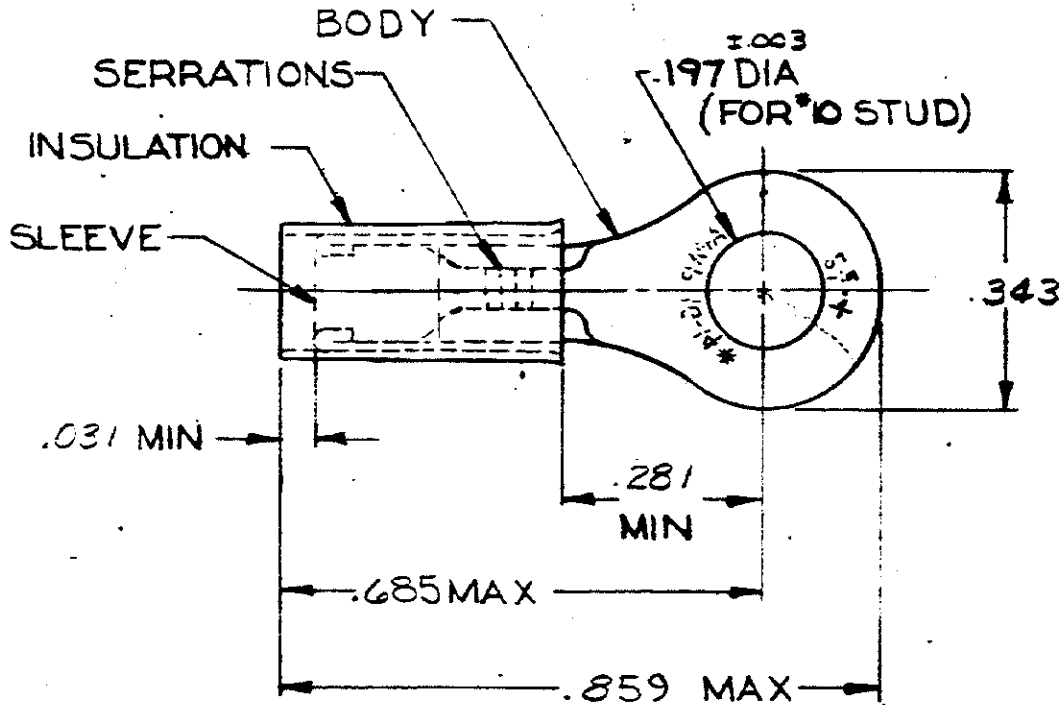


©1968 BY AMP INCORPORATED. ALL RIGHTS RESERVED. AMP PRODUCTS COVERED BY PATENTS AND/OR PATENTS PENDING.

REVISIONS

LTR	DESCRIPTION	DATE	APPROVED
C	REDRAWN & UPDATED	7-27-69	RMV
D	REVISED B-630	6-1-70	PCY
E	REVISED F-621	7-8-73	me
F	REV/0720-0060-93	3-31-93	TQ/ml


320574



FOR .105 TO .150 WIRE INSULATION DIA.
TONGUE MATERIAL THK. = .031 ±.002

NOTE:

1. STAMPING MAY BE ON TOP OR BOTTOM.

100	LOOSE PC. BOX	8-320574-1	
1	320574 ON TAPE	2-320574-2	BODY & SLEEVE: COPPER (QQ-C-576) TIN PL (MIL-T-10727)
1	WIRE TERMINAL	320574	INSULATION: BLUE NYLON (MIL-M-20693) TYPE I
QTY	DESCRIPTION	PART NO.	MATERIAL & FINISH
UNLESS OTHERWISE SPECIFIED DIMENSIONS ARE IN INCHES TOLERANCES ON: DECIMALS ±.008 ANGLES ± 5°			 <p>AMP INCORPORATED HARRISBURG, PENNSYLVANIA</p> <p>NAME: WIRE TERMINAL P.I.D.G-RING TONGUE WIRE SIZE: 16-14</p>
MATERIAL: SEE TABLE			
CONTRACT NO. _____			
DR. <i>Jm Engenigel</i> 3-27-69			
CHK <i>R. W. Wolfe</i> 3/27-69			
APPD <i>Swabel</i> 4-4-69			
REL <i>Jm Engenigel</i> 4/15/69			
DSGN APPD _____			
OTHER APPD _____			
SIZE	CODE IDENT NO.	NUMBER	
A	00779	320574	
SCALE	NTS	SHEET	1 OF 1

