

5

4

3

2

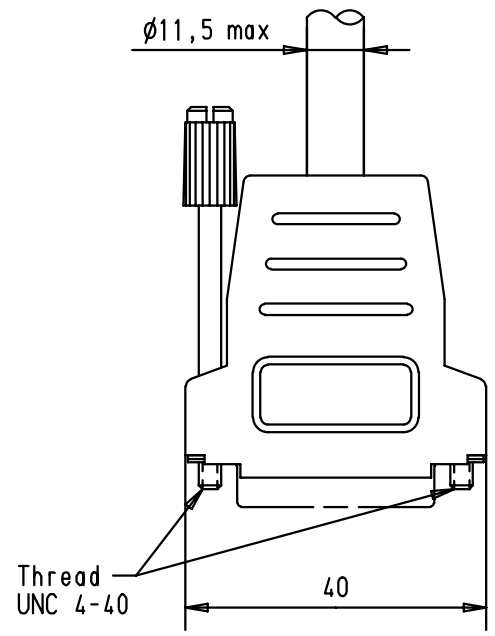
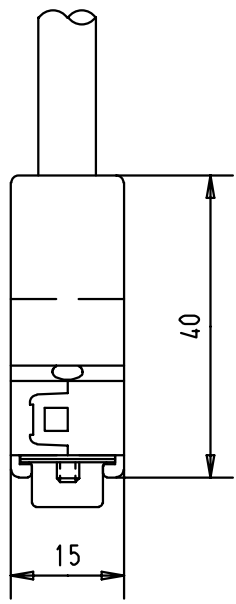
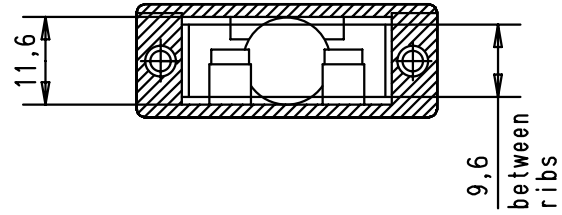
1

D

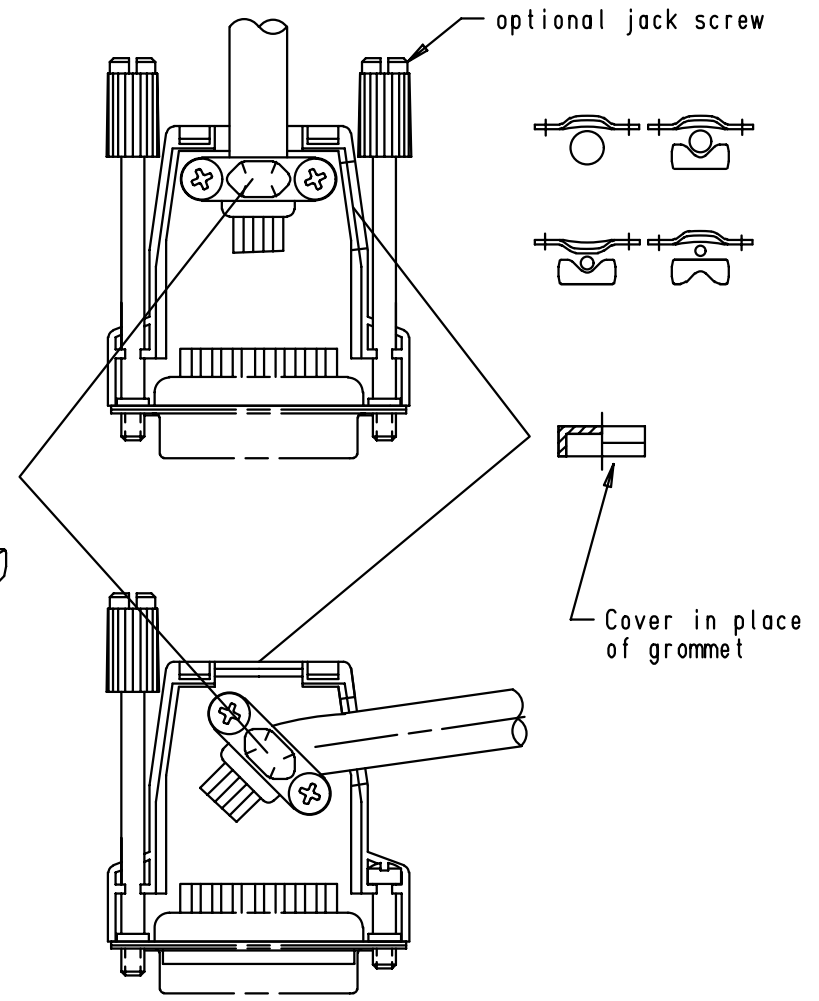
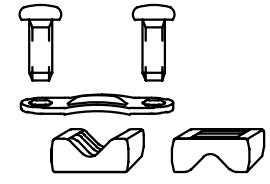
C

B

A



$\phi 11,5$ max



					Dat. 28-MAR-02 Name CV		All Dim. in mm Orig. Size DIN A 4	D-Sub, Top and side entry hood with knurled screws 15 poles Thermoplastic black	Maßstab/ Scale 1:1		
					Insp.						
					Stand.						
09 67 015 0434 Part number			4-40 UNC Screw thread		29760 Mod.		28-MAR-02 Dat.		CV Name		
HARTING EURL F-95972 Paris									TB 09670150434 Sub.		Blatt/ Page 1 /