

PCB LAYOUT
COMPONENT SIDE
CUSTOMER DRAWING

- NOTES:
- ALL DIMENSIONS ARE REFERENCE.
 - MATERIALS:
HOUSING: THERMOPLASTIC, BLACK
TERMINALS: COPPER ALLOY, SILVER PLATED
"AU" SUFFIX - GOLD PLATED
 - SUPPLIED ON TAPE & REEL, SEE SHEET 2.
 - THIS PRODUCT IS RoHS COMPLIANT

REV	ECO NUMBER	DATE	BY	APVD
B	25810	1-31-08	TJK	TJK
A	25190	2-6-06	JL	GG

REVISIONS

★ STAR SYMBOL DENOTES CRITICAL DIMENSION

UNLESS OTHERWISE SPECIFIED

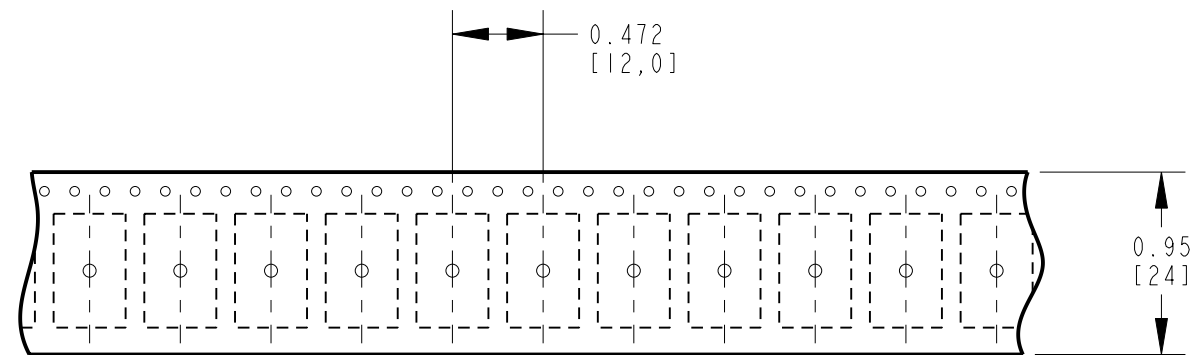
- ALL DIMENSIONS IN INCHES
- TWO PLACE DECIMALS ±0.01
- THREE PLACE DECIMALS ±0.005
- ANGLES ±1°
- ALL DIA. CONCENTRIC WITHIN 0.005 T.I.R.
- FEATURES ON THE SAME CENTERLINE MUST BE ALIGNED WITHIN ±0.002
- REMOVE ALL BURRS

DO NOT SCALE DRAWING

THIS DRAWING DESCRIBES A DESIGN CONSIDERED PROPRIETARY IN NATURE, DEVELOPED AND MANUFACTURED BY SWITCHCRAFT INC. AND IS RELEASED ON A CONFIDENTIAL BASIS FOR IDENTIFICATION PURPOSES ONLY.									
SIZE	WIDTH	MULT	LBS/M	TEMPER					
FINISH					MATERIAL				
SPEC No.					SPEC No.				
FIRST USED ON					SCALE				
					7.5				
DATE DRAWN	BY	CHKD	APVD						
06-Feb-06	JL	GG	GG						
			2-6-06						
NAME					PART No.				
2.5 MM PHONE JACK					MDSMT2-X-MDSMT3-X-SERIES				
SURFACE MOUNT, RoHS					REV				
					B				

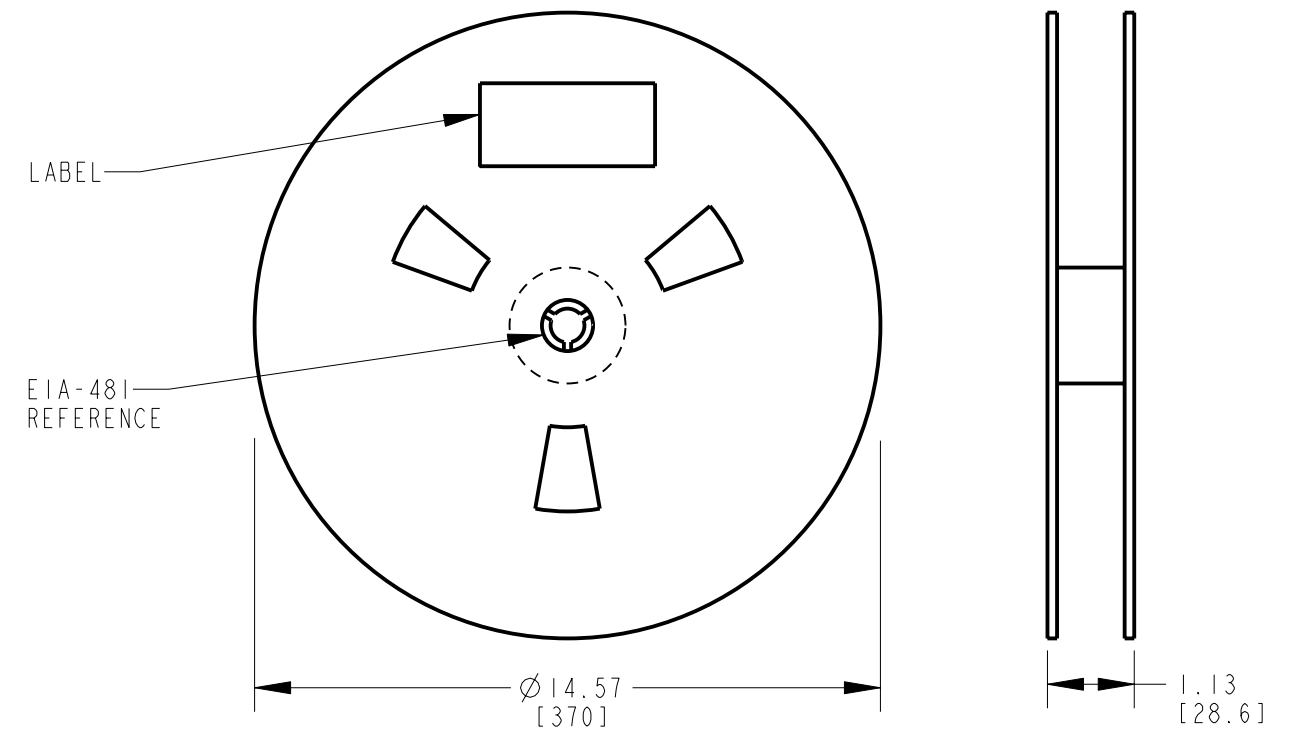
A: CARRIER SIZE

1. DETAIL SIZES REFERENCE: EIA-481
2. SPECIFICATION: 24 MM X 12 MM
3. COVER TAPE: SPECIFICATION ATTACHED (CONDUCTIVE)



B: REEL SIZE

1. QUANTITY: 1000 PCS/REEL
2. MATERIAL: THERMOPLASTIC



SCALE NONE	Switchcraft®	
DATE DRAWN 06-Feb-06		
DRAWN BY JL	PART No. MDSMT2_X-MDSMT3_X-SERIES	REV B

SHEET 2 OF 2

Mouser Electronics

Authorized Distributor

Click to View Pricing, Inventory, Delivery & Lifecycle Information:

[Switchcraft:](#)

[MDSMT2ARATRX](#) [MDSMT2BRATRX](#) [MDSMT3BRATRX](#) [MDSMT4BRATRX](#)