

FEATURES

- Easy to install and simple to use
- Low pressure drop
- Various flow rates
High
- resolution/frequency output

RS PRO Radial Flow Turbine Flow Meter, 0.25 L/min → 6.5L/min

RS Stock No.: 257-149



RS Professionally Approved Products bring to you professional quality parts across all product categories. Our product range has been tested by engineers and provides a comparable quality to the leading brands without paying a premium price.

Product Description

RS PRO flow transducers manufactured in acetal copolymer with brass compression fittings at both ends to fit 15 mm diameter pipe connections. These flow sensors are designed to tailor the transducer to any particular requirements and needs of the user. A variety of pipe connections, electrical terminations and flow ranges are possible giving several possible ways in which it can be arranged that should satisfy various applications.

Sensor options include:

[257-149](#) - Grey liquid flow sensor, 0.25 to 6.5 l/min, 500Hz, 4600 pulses/litre

[257-133](#) - Beige liquid flow sensor, 1.5 to 30 l/min, 600Hz, 1200 pulses/litre

General Specifications

Device Type	Radial Flow Turbine
Media Monitored	Liquid
Minimum Flow Rate	0.25l/min
Maximum Flow Rate	6.5l/min
Maximum Pressure	20bar
Material	Acetal copolymer
Applications	Washing machines, Showers, Dishwashers, Beverage dispensers, Water treatment Cooling systems

Electrical Specifications

Supply Voltage	4.5VDC to 16VDC
Current Rating	10mA

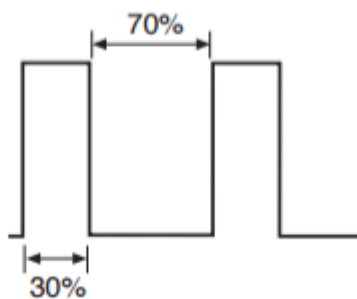
Mechanical Specifications

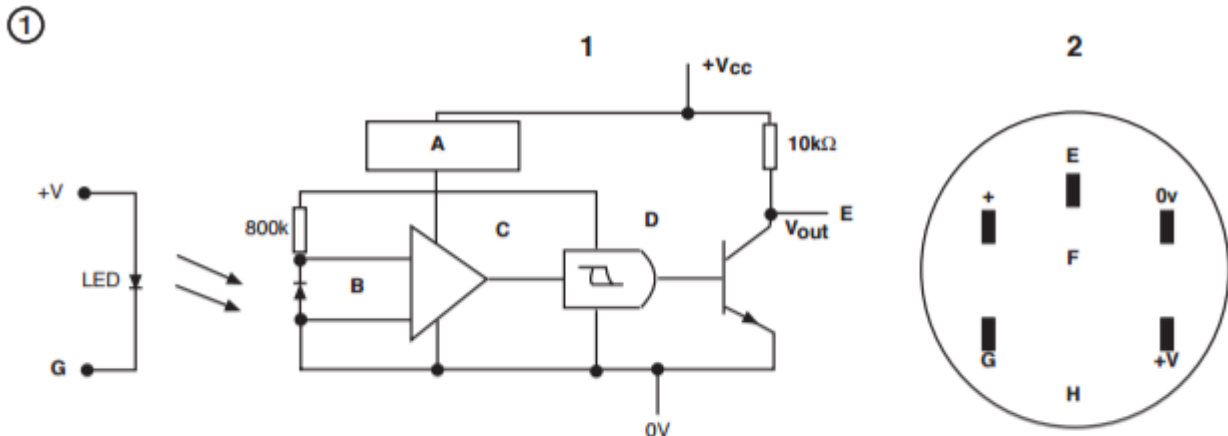
Pipe Diameter Range	15mm
Dimensions	89mm (L) x 51mm (H) x 37mm (W)

Standard Materials of Construction	
Body and cap	Acetal Copolymer
'O' Ring seal	Nitrile Rubber
Magnets	
Bearings	Sapphire



②





GB

- Electrical (with logic hip detector)**
 - Voltage regulator
 - Photo diode
 - Amplifier
 - Schmitt trigger
- Electrical connection**
 - Output
 - Photodetector
 - Cathode
 - Diode

D

- Elektrische Bauteile (mit Detektorlogik)**
 - Spannungsregler
 - Fotodiode
 - Verstärker
 - Schmitt-Trigger
- Elektrische Anschlüsse**
 - Ausgang
 - Fotodetektor
 - Kathode
 - Diode

E

- Sistema Eléctrico (con detector de chip lógico)**
 - Regulador de tensión
 - Fotodiodo
 - Amplificador
 - Disparador de Schmitt
- Conexión eléctrica**
 - Salida
 - Fotodetector
 - Cátodo
 - Diodo

I

- Elettrico (con rilevazione logica chip)**
 - Regolatore di tensione
 - Fotodiodo
 - Amplificatore
 - Trigger Schmitt
- Collegamento elettrico**
 - Uscita
 - Fotorivelatore
 - Catodo
 - Diodo

