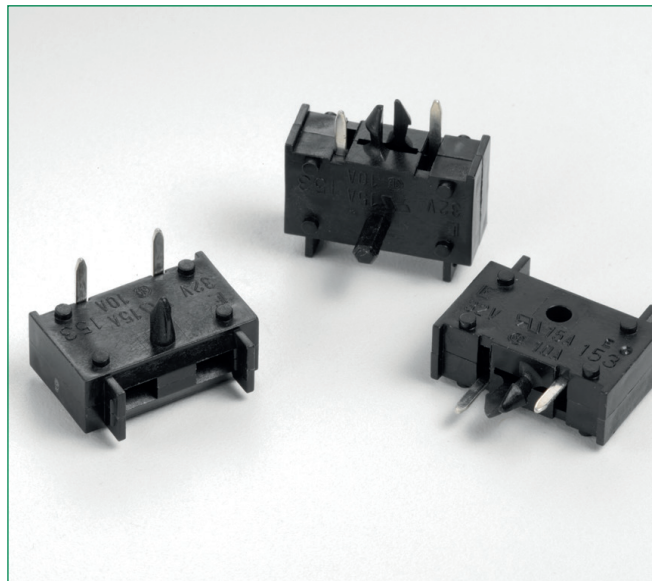


## PCB MOUNT FUSE HOLDER FOR MINI® STYLE BLADE FUSE



### Description

The MINI® Fuse PCB Fuse Holders bring the reliability and availability of the plug-in 32V MINI® Fuse to the circuit board. Vertical and horizontal mounting of units is offered. The Fuse Holder has “standoffs” to accommodate board washing and incorporates a unique “board lock” anchor to maintain a firm mechanical bond to the PCB.

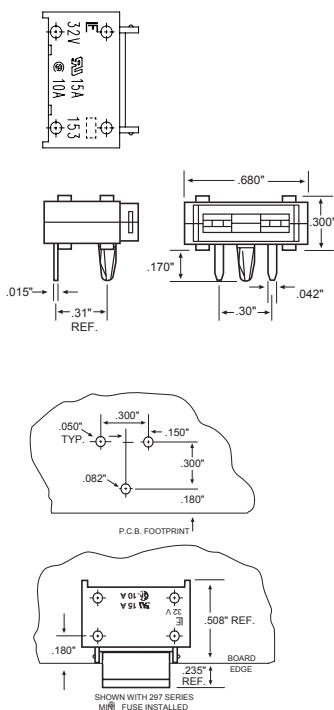
### UL 15A CSA 10A (32V)

Part Number	Description	Fuse Rating
01530007_	Horizontal Mount	15 A
01530031_		20 A
01530008_	Single vertical Mount (or End Unit)	15 A
01530032_		20 A
01530009_	Stackable vertical Mount	15 A
01530033_		20 A

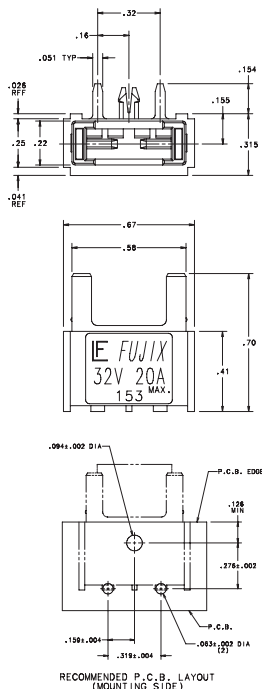
### Ordering Information

Part Number	Package Size
015300xLXN	50
015300xZ	500
01530033xZ	5000

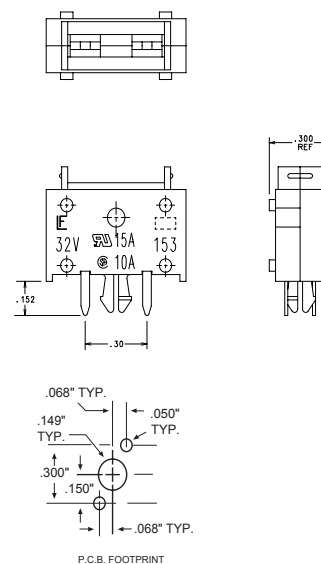
#### 0153007\_



#### 0153031\_



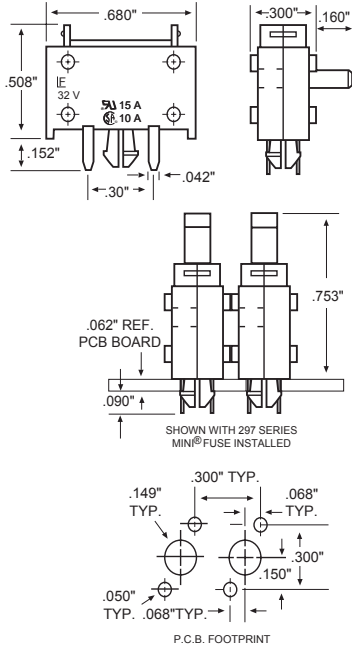
#### 0153008\_



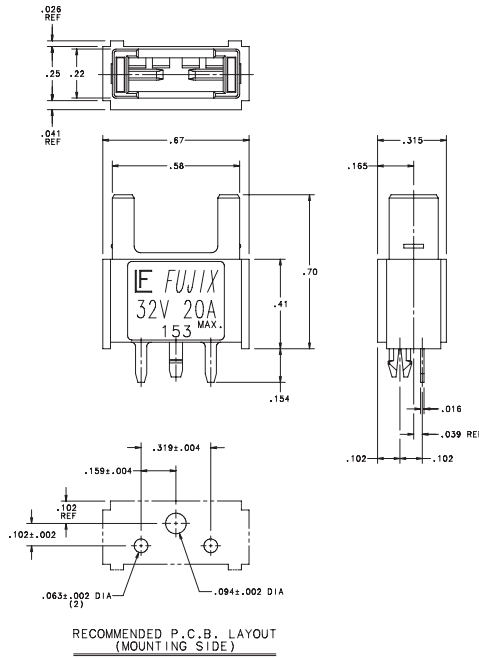
**PCB MOUNT FUSE HOLDER FOR MINI® STYLE BLADE FUSE**



**0153009\_**



**0153032\_**



**0153033\_**

