 Hollyland (China) Electronics Technology Corporation Ltd. Hollyland(XiaMen) Technology Corporation Ltd.	PRODUCT SPECIFICATION	ISSUED DATE:	2020/08/17
	30T RoHS SERIES	REV. NO.:	A04
		DOC. NO.:	HLD-PSI-8006
		PAGE:	Page 1 of 11

制定 PREPARED BY		审核 CHECKED BY		批准 APPROVED BY	
-------------------	---	------------------	---	-------------------	---

1 适用范围/ SCOPE

本规格书适用于公司按照 IEC 60127 标准生产的 30T RoHS 系列 HOLLY® 商标并符合 RoHS 要求的超小型低分断慢断型保险丝管。

This specification defines the technical requirements of sub-miniature 30T RoHS time-lag fuse series with HOLLY® brand and RoHS compliant, which are according to IEC 60127.

产品部件号为: 型号 额定电流 额定电压
Construction of part no.: type rated current rated voltage
例如/ Example: 30T 010 H

* 额定电压/ Rated Voltage: H - 250V

产品部件号/ PART NUMBER

产品部件号 PART NUMBER	型号规格 MODEL DETAIL	产品部件号 PART NUMBER	型号规格 MODEL DETAIL
30T-0200H	30T T200mA 250V	30T-013H	30T T1.25A 250V
30T-0250H	30T T250mA 250V	30T-016H	30T T1.6A 250V
30T-0315H	30T T315mA 250V	30T-020H	30T T2A 250V
30T-0400H	30T T400mA 250V	30T-025H	30T T2.5A 250V
30T-0500H	30T T500mA 250V	30T-032H	30T T3.15A 250V
30T-0630H	30T T630mA 250V	30T-040H	30T T4A 250V
30T-0800H	30T T800mA 250V	30T-050H	30T T5A 250V
30T-010H	30T T1A 250V	30T-063H	30T T6.3A 250V

型号规格: 型号 特性符号 额定电流 额定电压
MODEL DETAIL: Type Characteristic Symbol Rated Current Rated Voltage
例如/ Example: 30T I 1A 250V

*特性符号/ Characteristic Symbol: T – 慢断型/ Time-Lag.

2 相关标准/ APPLICABLE STANDARDS

2.1 30T 系列产品适用的相关标准是 IEC 60127 和 GB 9364。

Applicable standards for 30T RoHS series are IEC 60127 and GB 9364.


2.2 认证情况/ APPROVED DETAILS

额定电压 RATED VOLTAGE	CCC		VDE		UR/CUR		PSE	
	认证范围 APPROVED RANGE	认证号码 CERT. NO.	认证范围 APPROVED RANGE	认证号码 CERT. NO.	认证范围 APPROVED RANGE	认证号码 CERT. NO.	认证范围 APPROVED RANGE	认证号码 CERT. NO.
250V	200mA, 250mA, 315mA, 400mA, 500mA, 630mA, 800mA, 1A, 1.25A, 1.6A, 2A, 2.5A, 3.15A, 4A, 5A, 6.3A	2020970207 000177	250mA, 315mA, 400mA, 500mA, 630mA, 800mA, 1A, 1.25A, 1.6A, 2A, 2.5A, 3.15A, 4A, 5A, 6.3A	40011830	200mA-5A	E330882	1A-5A	JET 2489-31007- 1006A

3 公司地址/ ADDRESS

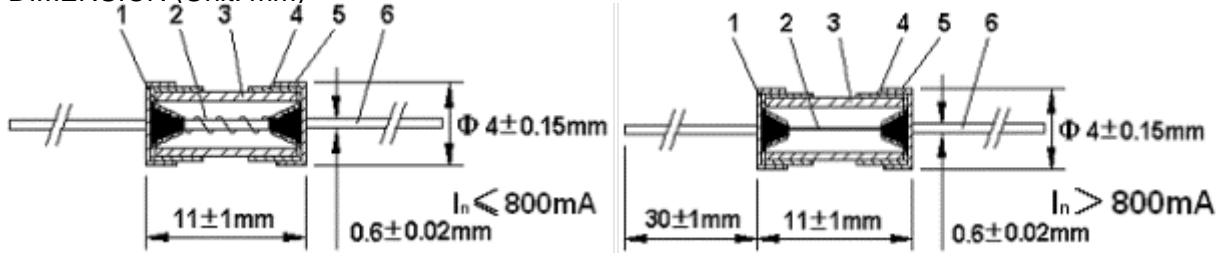
中国福建省厦门市翔安区舫山东二路 829 号

829 Fangshan East 2nd Road, Xiang'an, Xiamen, China.

 Hollyland (China) Electronics Technology Corporation Ltd. Hollyland(XiaMen) Technology Corporation Ltd.	PRODUCT SPECIFICATION	ISSUED DATE:	2020/08/17
	30T RoHS SERIES	REV. NO.:	A04
		DOC. NO.:	HLD-PSI-8006
		PAGE:	Page 2 of 11

4 构造图/ CONSTRUCTION FIG. & DIMENSION

4.1 DIMENSION (Unit: mm)



编号 No.	品名 PART	材料 MATERIAL	备注 NOTE
1	焊锡/ Solder	无铅焊锡/ Pb Free	/
2	可熔体/ Element	玻璃纤维线+金属丝/ Glass Fiber+ Metal Wire	额定电流 $I_n \leq 800\text{mA}$
		金属丝/ Metal Wire	额定电流 $I_n > 800\text{mA}$
3	管体/ Tube	玻璃管/ Glass Tube	/
4	铜帽/ Cap	黄铜/ Brass	镀镍/ Nickel Plated
5	尾线铜帽 Cap with Pig Tail	黄铜/ Brass	镀镍/ Nickel Plated
6	尾线/ Pig Tail	镀锡铜线/ Tin Plated Copper	镀锡/ Tin Plated

4.2 玻璃管/ GLASS TUBE

玻璃管无破裂、缺损或污染等现象，且须透明易辨其内部的可熔体。

The tube shall be transparent as to be easily distinguished fusing element with naked eyes and have no defects such as crack, injury and contamination.

4.3 铜帽/ CAP

铜帽应焊接牢固，以保证在未损坏熔断体时，铜帽不能被卸脱。样品在 15℃-35℃ 水中浸 24 小时取出后，在每个端帽上，均匀地施加拉力至 10N，保持 1 分钟，铜帽不应脱落。

Cap should be firmly attached so that it is not possible to remove them without damaging the fuse itself. The samples are immersed in water for 24 hours at a temperature between 15℃ and 35℃. After remove from the water, an axial pull steadily increasing to 10N is applied to each cap for 1 minute.

4.4 焊点/ SOLDERING JOINT

焊接铜帽端时，铜帽外表面不能有残留的助焊剂、焊锡、可熔体等异物。

Soldering joint in end cap shall not be melted during normal operation and shall not have solder chips on tube, element in view and outer surface of caps.


5 机械特性/ MECHANICAL PERFORMANCES

保险丝应能承受下列三项试验。/ Fuse shall withstand the following three testing.

5.1 扭力试验/ Rotational Strength

固定保险丝的一端铜帽，然后在另一端铜帽上顺时针和逆时针方向上顺序施加 10N·mm 力矩，两端铜帽不应松动，管体也不应破碎。

When one end cap of the specimen is fixed and then the torque 10N·mm is applied to the other end cap clockwise and counterclockwise, no looseness of end caps at both ends or damage of fuse-tube shall occur.

 Hollyland (China) Electronics Technology Corporation Ltd. Hollyland(XiaMen) Technology Corporation Ltd.	PRODUCT SPECIFICATION	ISSUED DATE:	2020/08/17
	30T RoHS SERIES	REV. NO.:	A04
		DOC. NO.:	HLD-PSI-8006
		PAGE:	Page 3 of 11

5.2 拉力试验/ Tensile Strength

固定保险丝的一端铜帽，然后在另一端铜帽上，沿水平轴方向施加 10N 的拉力，两端铜帽不应松动且管体不应破碎。

When one end cap of the specimen is fixed and then the tensile force 10N is applied to the other end cap in a direction to separate the end caps, no looseness of end caps or damage of fuse-tube shall occur.

5.3 管体强度试验/ Strength of Fuse-tube

两端铜帽固定好后，在玻璃管的中心位置施加 15N 的压力，管体不应破碎。

When middle parts of end caps at both ends of the specimen are supported and then the force 15N is applied to the middle part of the fuse-tube, no damage of the fuse-tube shall occur.

6 电气特性/ ELECTRICAL PERFORMANCES

6.1 测试条件/ TEST CONDITION

全部测试条件都应在环境温度 $24^{\circ}\text{C} \pm 3^{\circ}\text{C}$ 条件下进行，在此期间温度变化不允许达到 $+5^{\circ}\text{C}$ 和到极限范围

All electrical tests are conducted at an ambient temperature of $24 \pm 3^{\circ}\text{C}$. The ambient temperature is not allowed to vary more than 5°C during the test, and must be within these limits.

6.2 负载能力测试/ CURRENT-CARRYING CAPACITY TEST

当保险丝通以 150% 倍额定电流的条件下进行测试时，在 1 小时内电路不应断开。试验后保险丝不被电流熔化，管体不破裂。

When a fuse is carrying 150% of rated current for continuing 1 hour and more, no open circuit, melt fusible element, or ruptured tube shall occur in any manner during this test.

6.3 温度上升试验/ TEMPERATURE RISE TEST

当保险丝通以 100% 倍额定电流的条件下进行测试时，在达到热量平衡后，测量保险丝表面的温度，保险丝表面的温度上升必须等于或低于 75°C 。注：温度上升=保险丝表面的温度-环境温度。

Measure the temperature of the surface of the fuse under the 100% rated current, when the thermal equilibrium reaches. The temperature rise on the surface of each fuse shall be 75°C or less.

Note: Temp. rise = fuse temp. - room temp..

6.4 预飞弧时间-电流特性/ PRE-ARCING TIME-CURRENT CHARACTERISTICS

当保险丝通以下表规定的电流时，其熔断时间必须符合下表的要求，且铜帽不能飞脱、管体不应破裂、损坏。

When the current in the following table is passing the fuse, its opening time must be in accordance with the requirements in the following table, that is, the pre-arcing time. Moreover, neither damage of the fuse-tube nor shattering of the cap shall occur.

熔断电流/ % of Rated Current	熔断时间/ Open Time
210%	120sec. Max.
275%	0.4~10sec.
400%	0.15~3sec.
1000%	20ms~150ms

6.5 分断能力/ BREAKING CAPACITY

保险丝管额定分断能力为 35A 或 $10I_n$ 250Va.c.，取其中较大者。保险丝分断电路后，保险丝管不应破裂、铜帽飞脱。

The rated breaking capacity is 35A or $10I_n$ 250Va.c, whichever is greater. And after this test, there should be no damage of the fuse-tube or shattering of the caps.



Hollyland (China) Electronics
Technology Corporation Ltd.
Hollyland(XiaMen)
Technology Corporation Ltd.

PRODUCT SPECIFICATION

30T RoHS SERIES

ISSUED DATE:

2020/08/17

REV. NO.:

A04

DOC. NO.:

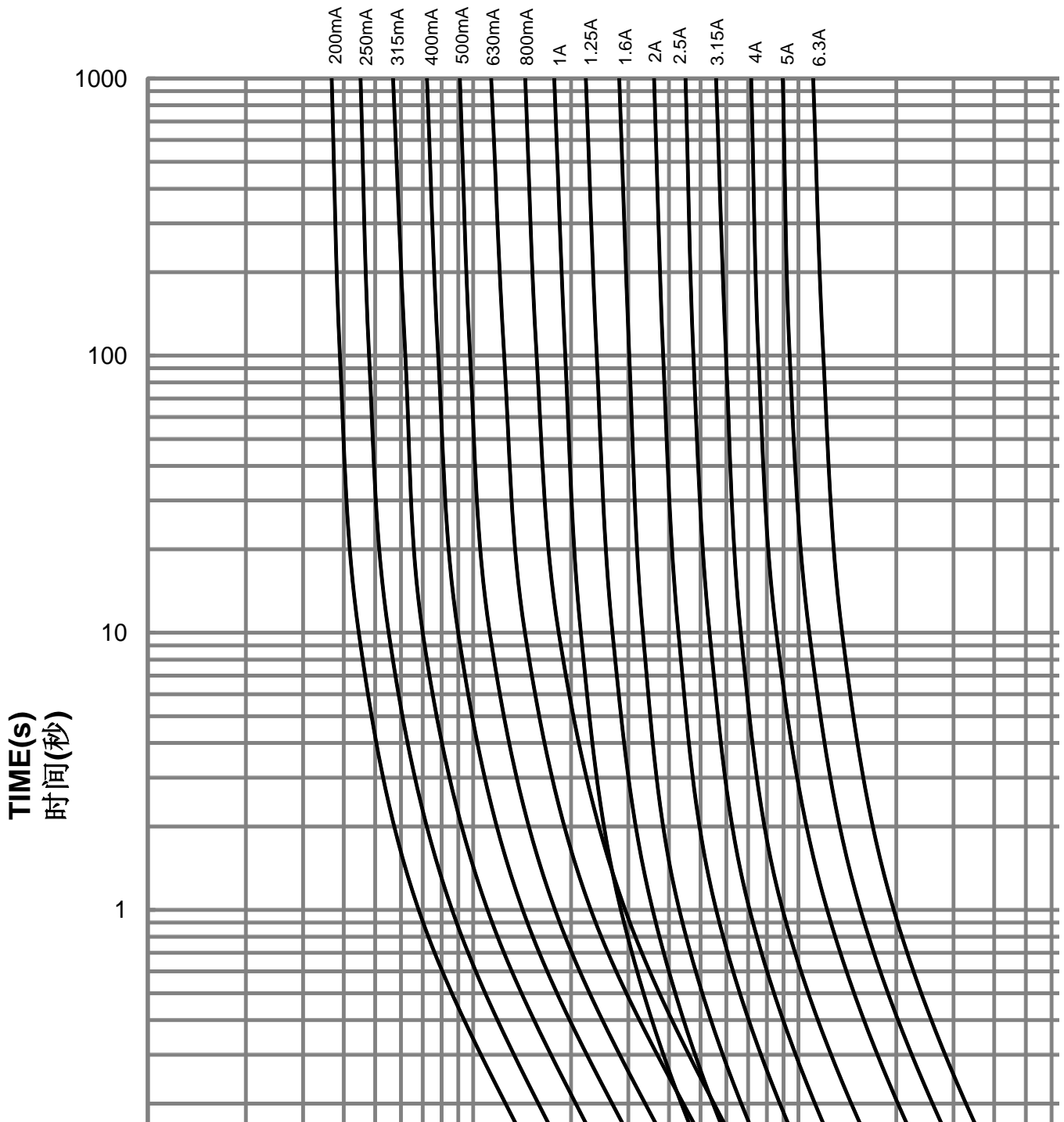
HLD-PSI-8006

PAGE:

Page 4 of 11

6.6 平均 I-T 特性曲线图(供参考)/ THE AVERAGE I-T CHARACTERISTICS CURVE(FOR REFERENCE ONLY)

30T RoHS Average I-T Characteristics Curve(For R 30T RoHS 平均I-T曲线图(供参考)





Hollyland (China) Electronics
Technology Corporation Ltd.
Hollyland(XiaMen)
Technology Corporation Ltd.

PRODUCT SPECIFICATION

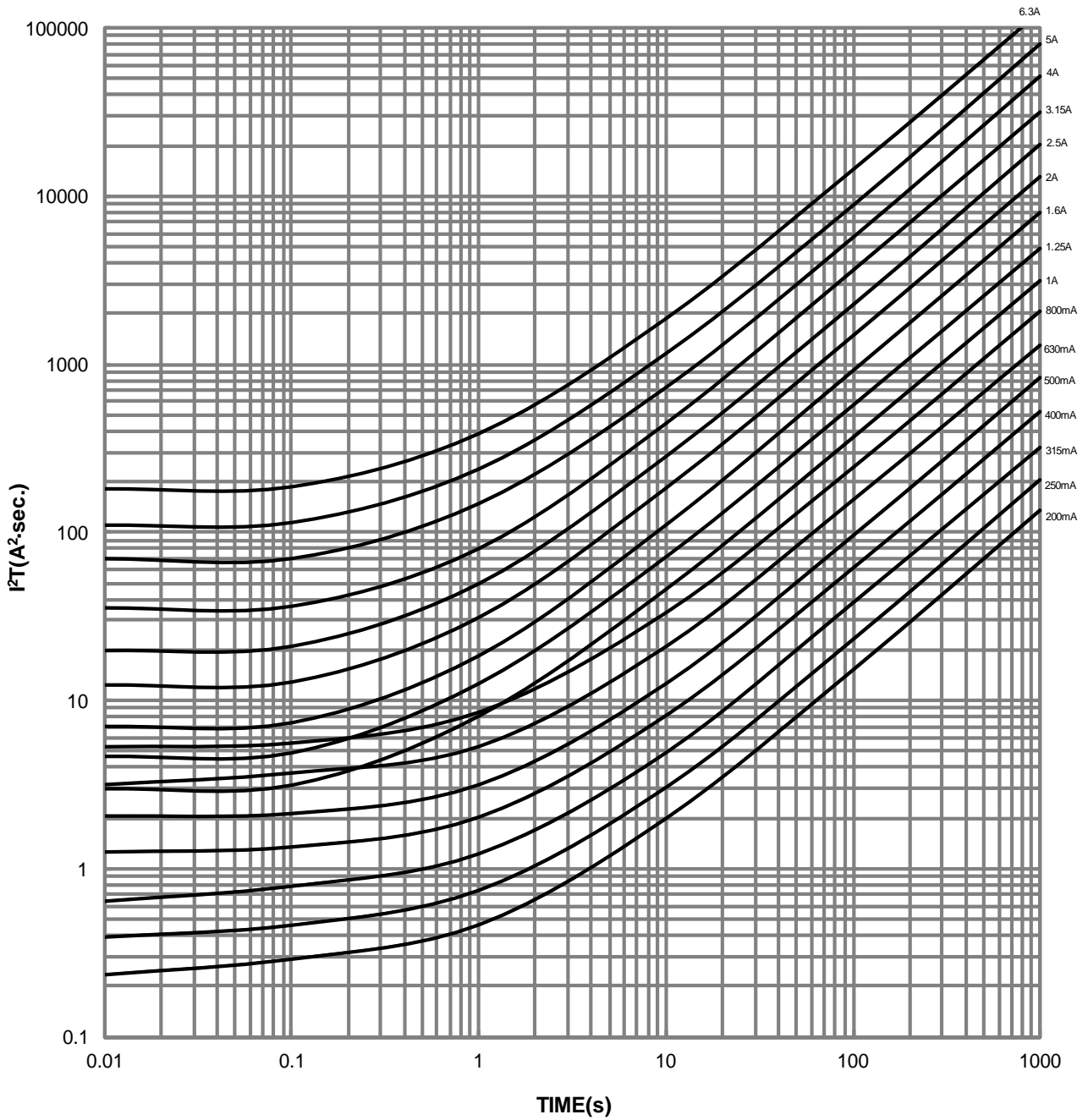
30T RoHS SERIES


ISSUED DATE:
REV. NO.:
DOC. NO.:
PAGE:

2020/08/17
A04
HLD-PSI-8006
Page 5 of 11

6.7 平均 I²T-T 特性曲线图(供参考)/ THE AVERAGE I²T-T CHARACTERISTICS CURVE(FOR REFERENCE ONLY)

30T RoHS Average I²T-T Characteristics Curve(For Reference Only)



 Hollyland (China) Electronics Technology Corporation Ltd. Hollyland(XiaMen) Technology Corporation Ltd.	PRODUCT SPECIFICATION	ISSUED DATE:	2020/08/17
	30T RoHS SERIES	REV. NO.:	A04
		DOC. NO.:	HLD-PSI-8006
		PAGE:	Page 6 of 11

6.8 焊接参数/ SOLDERING PARAMETERS

波峰焊-----260℃，最大 10 秒。/ Wave soldering-----260℃，10seconds Maximum.

6.9 电阻测试/ COLD RESISTANCE TEST

环境温度为 25±2℃，测试电流不大于保险丝额定电流的 10%。

Input 10% of fuse rated current to fuse for cold resistance test at surrounding temperature of 25±2℃.


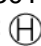
7 产品标志/ MARKING

7.1 保险丝上的标志应易于看清。

The relevant markings shall be marked on the caps of the fuse and shall be easily visible.

7.2 每个保险丝应标有下列标记。

The markings for every fuse shall be prescribed as below according to the types.

- 1) 安全认证标志/ Safety approval logo: 
- 2) 型号名称/ Type: 30T
- 3) 商标/ Trademark: 
- 4) 特性符号/ Characteristic Symbol: T
- 5) 额定电流/ Rated Current
- 6) 额定电压/ Rated Voltage

注：1)、2) 和 3)应标注在保险丝管一端铜帽的侧面。

Note: 1), 2) and 3) should be marked on the one side cap of the fuse.

4)、5)和 6)应标注在保险丝管另一端铜帽的侧面。

4), 5) and 6) should be marked on the other side cap of the fuse.

8 包装要求/ PACKING DETAILS

8.1 外箱包装/ EXTERNAL CARTON PACKING

8.1.1 包装方式 A/ PACKING MODE A

8.1.1.1 参考尺寸：长×宽×高=470×400×230mm。

Reference Dimension: length×width×height=470×400×230mm.

8.1.1.2 包装细节：200 个/袋；4 袋/盒；25 盒/箱。

Packing Details: 200EA/ bag; 4 bags/ box; 25 boxes/ Carton.

8.1.2 包装方式 B(编带型产品)/ PACKING MODE B(LEADS TAPING TYPE PRODUCT)

8.1.2.1 参考尺寸：长×宽×高=440×270×230mm。

Reference Dimension: length×width×height=440×270×230mm.

8.1.2.2 包装细节：1500 个/盒；10 盒/每箱。

Packing Details: 1500EA/ box; 10 boxes/ External Carton.

8.1.3 包装方式 C(编带型产品)/ PACKING MODE C(LEADS TAPING TYPE PRODUCT)

8.1.3.1 参考尺寸：长×宽×高=400×270×220mm。

Reference Dimension: length×width×height=400×270×220mm.

8.1.3.2 包装细节：1500 个/盒；10 盒/每箱。

Packing Details: 1500EA/ box; 10 boxes/ External Carton.

产品的包装应能达到防潮、抗振的作用，以防在运输或贮存过程中产品受潮或损坏。

Packing shall be so carried out that the products will not absorb moisture or be damaged during transportation or storage.

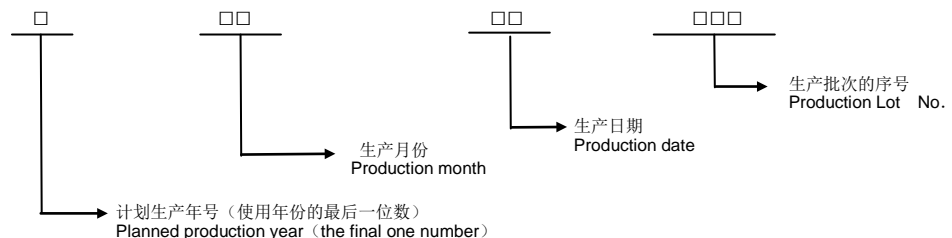
8.2 标签/ LABEL


标签应包括型号、额定电流、额定电压、额定分断电流、商标、安全标志、批量号码、公司名称、RoHS 标志、绿色“G”、绿色“e”(仅无铅产品) 和“QA”标志。

The label in the smallest package in which the fuses are put shall contain the Type, Rated current, Rated voltage, Breaking current, Trademark, Safety approval logo, Lot. No., Company name, “RoHS” mark, green “G”, green “e” (only Pb free products) and “QA” mark.

例批量号：

Example Lot No.:



 Hollyland (China) Electronics Technology Corporation Ltd. Hollyland(XiaMen) Technology Corporation Ltd.	PRODUCT SPECIFICATION	ISSUED DATE:	2020/08/17
	30T RoHS SERIES	REV. NO.:	A04
		DOC. NO.:	HLD-PSI-8006
		PAGE:	Page 7 of 11

9 环境参数/ ENVIRONMENTAL PARAMETERS

9.1 工作温度/ Operating Temperature: -55℃~125℃.

9.2 储存温度/ Storage Temperature: -55℃~85℃.

10 信赖性试验/ RELIABILITY TEST

项目/ Item	试验要求/ Test Requirement	试验条件/ Test Condition
高温试验 High Temperature Test	<p>试验后保险丝管的电阻符合范围; 电气特性符合: 150%≥1 小时、210%≤120 秒、275%: 0.4~10 秒、400%: 0.15~3 秒、1000%: 20~150 毫秒。</p> <p>After high temperature test, the resistance value of the fuses shall be in range. Electrical Characteristics: 150% ≥ 1h, 210% ≤ 120s, 275%:0.4~10s, 400%: 0.15~3s, 1000%: 20ms~150ms.</p>	<p>测试温度: 105±2℃, 测试时间: 1000 小时。</p> <p>Test Temperature: 105 ± 2 °C , Test Time: 1000hours.</p>
低温试验 Low Temperature Test	<p>试验后保险丝管的电阻符合范围; 电气特性符合: 150%≥1 小时、210%≤120 秒、275%: 0.4~10 秒、400%: 0.15~3 秒、1000%: 20~150 毫秒。</p> <p>After low temperature test, the resistance value of the fuses shall be in range. Electrical Characteristics: 150% ≥ 1h, 210% ≤ 120s, 275%:0.4~10s, 400%: 0.15~3s, 1000%: 20ms~150ms.</p>	<p>测试温度: -20±2℃, 测试时间: 1000 小时。</p> <p>Test Temperature: -20 ± 2 °C , Test Time: 1000hours.</p>
高湿试验 High Humidity Test	<p>试验后保险丝管的电阻符合范围; 电气特性符合: 150%≥1 小时、210%≤120 秒、275%: 0.4~10 秒、400%: 0.15~3 秒、1000%: 20~150 毫秒。</p> <p>After high humidity test, the resistance value of the fuses shall be in range. Electrical Characteristics: 150% ≥ 1h, 210% ≤ 120s, 275%:0.4~10s, 400%: 0.15~3s, 1000%: 20ms~150ms.</p>	<p>测试温度: 40 ± 2 °C , 测试湿度: 90%~95%, 测试时间: 96 小时。</p> <p>Test Temperature: 40 ± 2 °C , Test Humidity: 90%~95%, Test Time: 96hours.</p>
热冲击试验 Thermal Shock Test	<p>试验后保险丝管的电阻符合范围; 电气特性符合: 150%≥1 小时、210%≤120 秒、275%: 0.4~10 秒、400%: 0.15~3 秒、1000%: 20~150 毫秒。</p> <p>After thermal shock test, the resistance value of the fuses shall be in range. Electrical Characteristics: 150% ≥ 1h, 210% ≤ 120s, 275%:0.4~10s, 400%: 0.15~3s, 1000%: 20ms~150ms.</p>	<p>每个循环: -40℃放置 30 分钟后再放置 85℃ 30 分钟, 测试 10 循环。</p> <p>-40 °C / 30minutes → 85 °C / 30minutes, 10 cycles.</p>
落下、冲击试验 Falling Shock Test	<p>铜帽应固定牢固, 以保证在未损坏熔断体时, 铜帽不能被卸下。铜帽表面镀层应牢固不易脱落, 每个端帽应能经受专用的设备外加的轴向拉力 10N, 保持 1 分钟。玻璃管必须无缺陷破裂、缺损。试验后保险丝管的电阻符合范围; 电气特性符合: 150%≥1 小时、210%≤120 秒、275%: 0.4~10 秒、400%: 0.15~3 秒、1000%: 20~150 毫秒。</p> <p>Cap should be firmly attached so that it is not possible to remove them without damaging the fuse itself. The means of attachment shall be sufficient to withstand an axial pull of 10N applied to each cap for 1 minute. The cap shall be nickel plated firmly. Glass tube shall have no defects such as crack and injury. After falling shock test, the resistance value of the fuses shall be in range. Electrical Characteristics: 150% ≥ 1h, 210% ≤ 120s, 275%:0.4~10s, 400%: 0.15~3s, 1000%: 20ms~150ms.</p>	<p>一箱 13,500 个或 20,000 个保险丝管从一米高自由落下, 跌落 20 次。</p> <p>13,500EA or 20,000EA fuses/ one external carton, Falling Height: 1 meter, Falling Times: 20.</p>



Hollyland (China) Electronics
Technology Corporation Ltd.
Hollyland(XiaMen)
Technology Corporation Ltd.

PRODUCT SPECIFICATION

30T RoHS SERIES

ISSUED DATE:
REV. NO.:
DOC. NO.:
PAGE:

2020/08/17
A04
HLD-PSI-8006
Page 8 of 11

可焊性试验

试验后尾线表面的焊锡覆盖率>95%。
After solderability test, solder coverage of fuse's
pig tail will be no more than 95%.

预涂助焊剂 5±1 秒后, 浸入 245±5℃
的无铅焊锡 5±0.5 秒。
Immerse to flux 5±1sec. then dip in
solder bath 245±5℃, 5±0.5sec..

包装方式 A/ PACKING MODE A

1 Packing Details 包装细节:

1.1 $\phi 3.6 \times 10\text{mm}$ With Pigtail Series:
200EA/box, 4 bags/box, 25 boxes/carton, 20,000EA/carton, G.W. 14.5Kgs/ N.W. 11.5Kgs.
200个袋, 4袋/盒, 25盒/箱, 20,000个箱, 毛重14.5公斤/净重11.5公斤。
1.2 $\phi 4.5 \times 15\text{mm}$ With Pigtail Series:
100EA/box, 4 bags/box, 25 boxes/carton, 10,000EA/carton, G.W. 11.2Kgs/ N.W. 8.2Kgs.
100个袋, 4袋/盒, 25盒/箱, 10,000个箱, 毛重11.2公斤/净重8.2公斤。
1.3 $\phi 5.2 \times 20\text{mm}$ With Pigtail Series:
1.3.1 Glass Tube Fuse With Pigtail
100EA/box, 4 bags/box, 25 boxes/carton, 10,000EA/carton, G.W. 15.3Kgs/ N.W. 12.3Kgs.
100个袋, 4袋/盒, 25盒/箱, 10,000个箱, 毛重15.3公斤/净重12.3公斤。
1.3.2 Ceramic Tube Fuse With Pigtail
100EA/box, 4 bags/box, 25 boxes/carton, 10,000EA/carton, G.W. 21.1Kgs/ N.W. 18.1Kgs.
100个袋, 4袋/盒, 25盒/箱, 10,000个箱, 毛重21.1公斤/净重18.1公斤。
1.4 $\phi 6.35 \times 32\text{mm}$ With Pigtail Series:
1.4.1 Glass Tube Fuse With Pigtail
50EA/box, 4 bags/box, 25 boxes/carton, 5,000EA/carton, G.W. 17.8Kgs/ N.W. 14.8Kgs.
50个袋, 4袋/盒, 25盒/箱, 5,000个箱, 毛重17.8公斤/净重14.8公斤。
1.4.2 Ceramic Tube Fuse With Pigtail
50EA/box, 4 bags/box, 25 boxes/carton, 5,000EA/carton, G.W. 21Kgs/ N.W. 18Kgs.
50个袋, 4袋/盒, 25盒/箱, 5,000个箱, 毛重21公斤/净重18公斤。
2 Material 原材料
Box 内盒: Cardboard 纸板。
Carton 外箱: Double layer corrugated paper 双层瓦楞纸, thickness 厚度>6mm。
3 Printing and marking 印刷标记
Carton with Company name, Tel, Fax, E-mail, Web site, Trademark, Safety logo, BSI ISO9001 and CQC ISO14001:2004 registered firm etc. marked.
外箱需有公司名称, 电话, 传真, 电子邮箱, 网址, 商标, 安全认证, BSI ISO9001和CQC ISO14001:2004等标记。
4 RoHS compliant. 符合RoHS指令。

Box 盒
Carton 外箱


2							
1	2	1	2	1	2	1	2

NO.	REVISED DATE	REVISED DETAILS	NO.

版本: A00

XIAMEN NINGLY ELECTRONICS CO., LTD.							
	TITLE Packing For The Fuse With Pigtail 戴尾型保险丝管包装规格	DRAWN BY 陶家山	CHECKED BY [Signature]	DATE 2009.7.31	SCALE 1:1	APPROVED BY [Signature]	DATE 2009.7.31
UNLESS OTHERWISE SPECIFIED DIMENSIONS ARE IN MM							
DWG NO.	NLBZ-014A0						
MATERIAL							
TREATMENT							
QUANTITY							

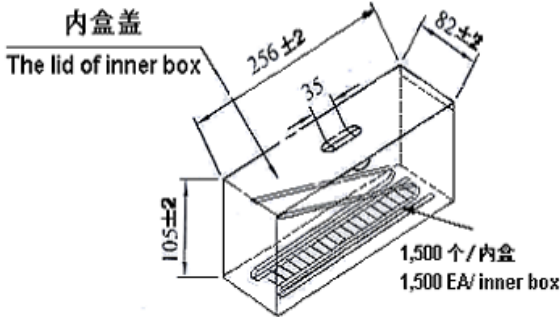
ALL INFORMATION HEREON IS THE PROPERTY OF THE COMPANY AND IS UNAUTHORIZED FOR REPRODUCTION OR TRANSMISSION IN ANY FORM OR BY ANY MEANS WITHOUT THE WRITTEN CONSENT OF THE COMPANY AUTHORITY.

 HOLLYLAND ® Hollyland (China) Electronics Technology Corporation Ltd. Hollyland(XiaMen) Technology Corporation Ltd.	PRODUCT SPECIFICATION	ISSUED DATE:	2020/08/17
	30T RoHS SERIES	REV. NO.:	A04
		DOC. NO.:	HLD-PSI-8006
		PAGE:	Page 9 of 11

包装方式 B(编带型产品)
Packing Mode B(Leads Taping Product)

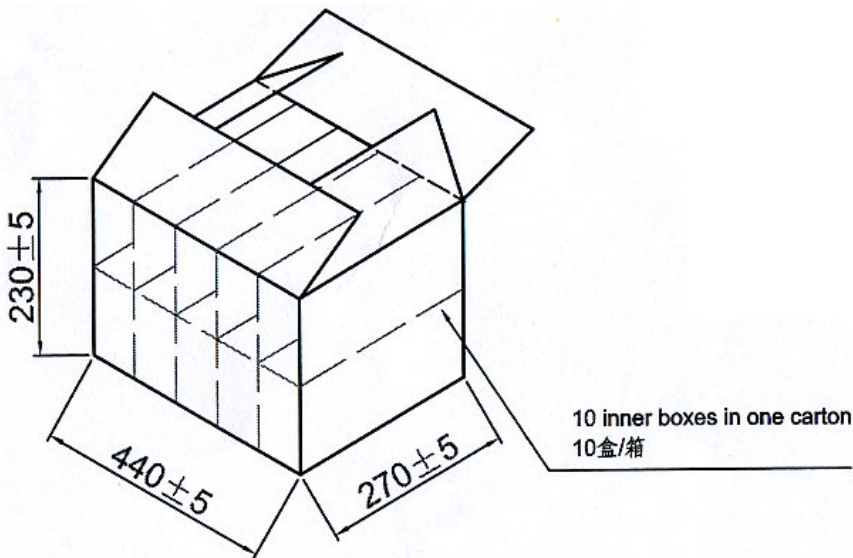
内盒

Inner Box



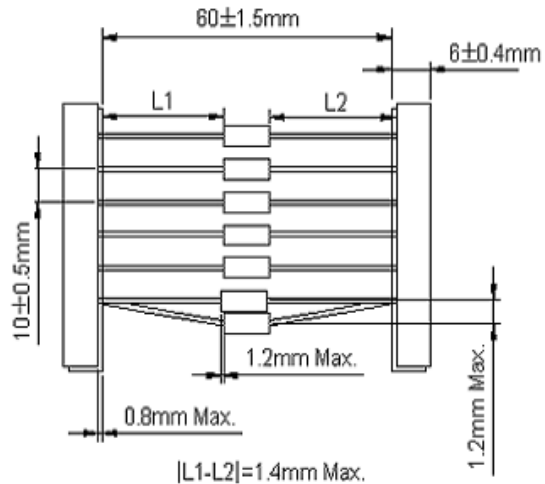
外箱

External Carton



轴向引线编带

Axial Leads Taping



1 重量 Weight

一个外箱(装满 15,000 个保险丝管)毛重 10.7 公斤/净重 9 公斤。

One external carton(filled with 15,000EA fuses): G.W. 10.7Kgs/ N.W. 9Kgs.

2 原材料 Material


内盒 Inner box: 纸板 Cardboard.

外箱 External carton: 双层瓦楞纸 Double layer corrugated paper, 厚度 Thickness>6mm.

3 印刷标志 Printing and Marking

外箱需有公司名称、电话、传真、电子邮箱、网址、商标、安全标志、RoHS、BSI ISO9001 和 CQC ISO14001:2004 等标志。

External carton With Company name, Tel, Fax, E-mail, Web site, Trade make, Safety approval logo, RoHS, BSI ISO9001 and CQC ISO14001:2004 registered firm etc..

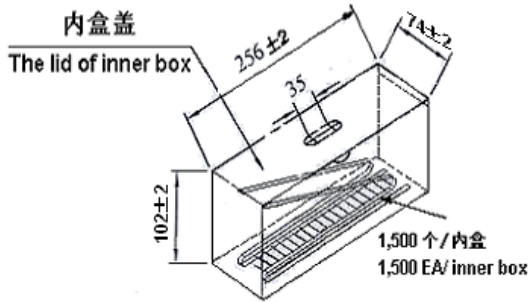
 HOLLYLAND [®] Hollyland (China) Electronics Technology Corporation Ltd. Hollyland(XiaMen) Technology Corporation Ltd.	PRODUCT SPECIFICATION	ISSUED DATE:	2020/08/17
	30T RoHS SERIES	REV. NO.:	A04
		DOC. NO.:	HLD-PSI-8006
		PAGE:	Page 10 of 11

包装方式 C(编带型产品)

Packing Mode C(Leads Taping Product)

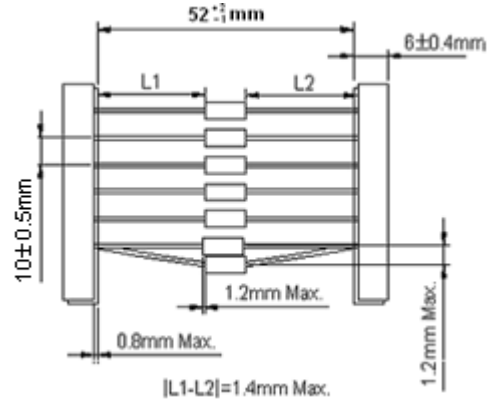
内盒

Inner Box



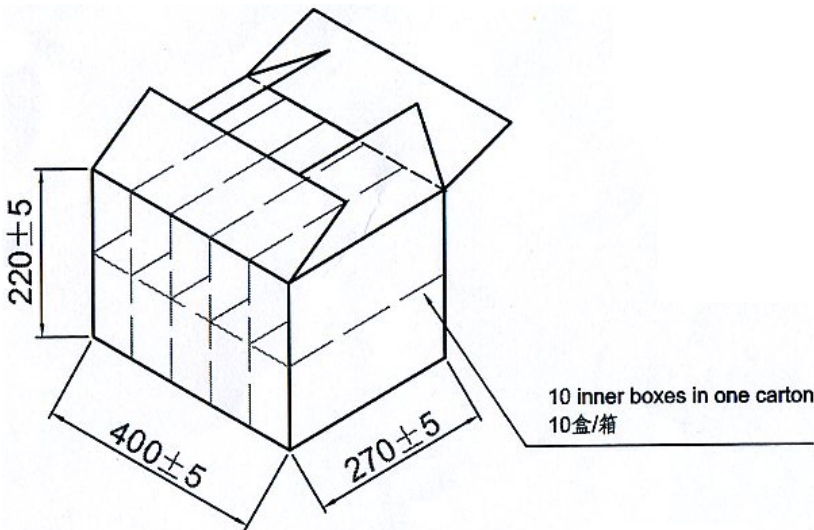
轴向引线编带

Axial Leads Taping



外箱

External Carton



1 重量 Weight

一个外箱(装满 15,000 个保险丝管)毛重 10.7 公斤/净重 9 公斤。

One external carton(filled with 15,000EA fuses): G.W. 10.7Kgs/ N.W. 9Kgs.

2 原材料 Material

内盒 Inner box: 纸板 Cardboard.

外箱 External carton: 双层瓦楞纸 Double layer corrugated paper, 厚度 Thickness>6mm.

3 印刷标志 Printing and Marking

外箱需有公司名称、电话、传真、电子邮箱、网址、商标、安全标志、RoHS、BSI ISO9001 和 CQC ISO14001:2004 等标志。

External carton With Company name, Tel, Fax, E-mail, Web site, Trade make, Safety approval logo, RoHS, BSI ISO9001 and CQC ISO14001:2004 registered firm etc..

