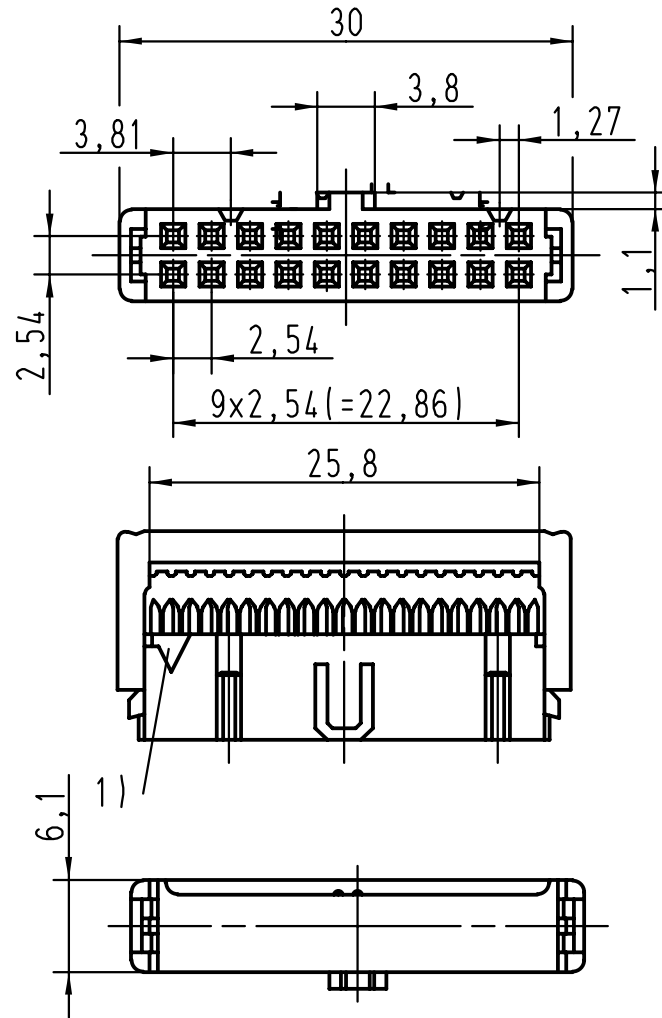
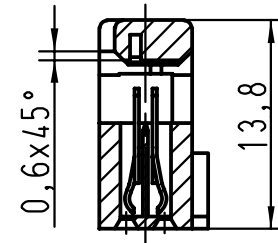


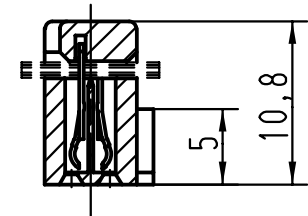
5 4 3 2 1



vorverrastet  
pre assembled  
preassemble



verrastet  
fitted  
assemble



- 1) Markierung erster Kontakt, Ader 1 des Flachkabels  
 1) Contact no.1, 1st wire of flat cable  
 1) Contact no.1, repère 1 du câble

		All Dimensions in mm Original Size DIN A 4			Techn. Character.			Nicht tolerierte Masse/ Free size tolerances		
					Detail.		2:1		SEK 18 Female connector 20 poles with central polarisation cover without cable stop	
09185205803		0,76 μm Au			Dat. 01-FEB-00		Name Th			
09185206803		2			Insp. 01-FEB-00		JMV			
09185207803		3			Stand.					
Bestell-Nr. Part-No. Reference		Anforderungsstufe performance level Niveau de qualite			26570		01-FEB-00		HARTING EURL F-95972 Paris	
					Mod.		Dat.		Name JB HARTING TB 0918520X803 Sub.	
									Blatt/ page 1 / 1	