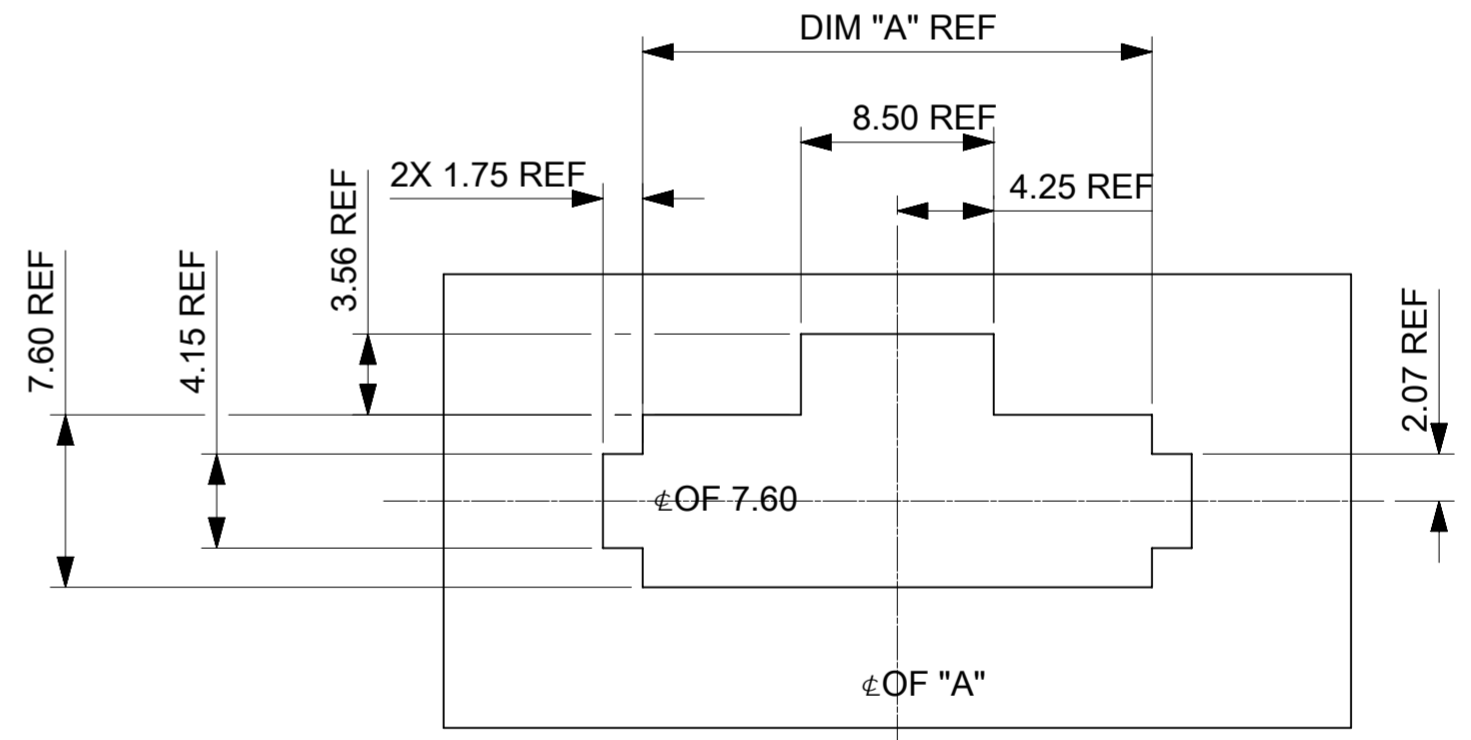
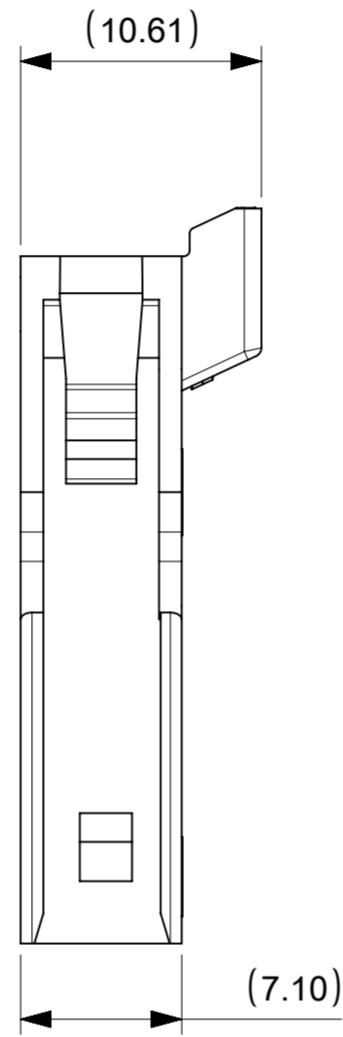
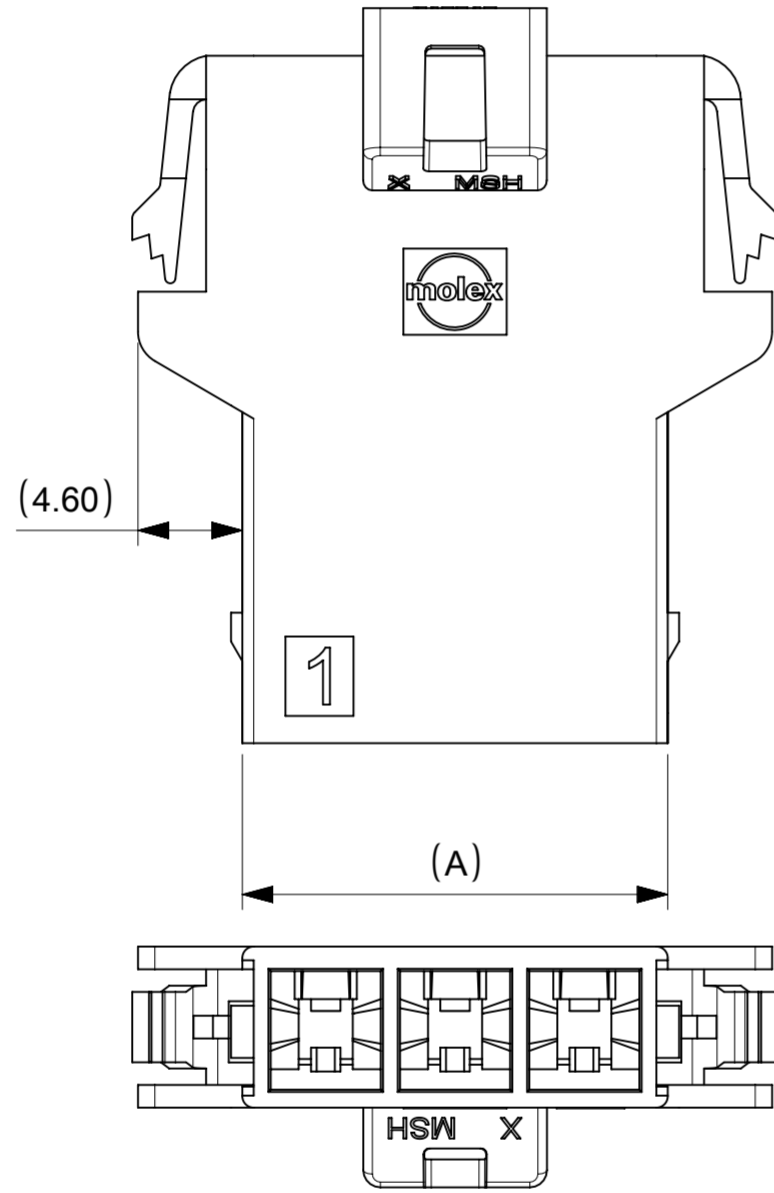
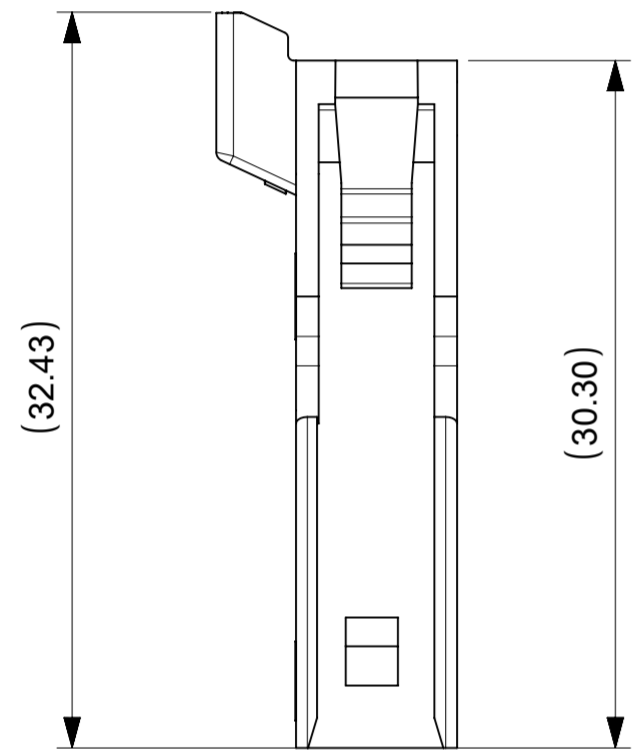
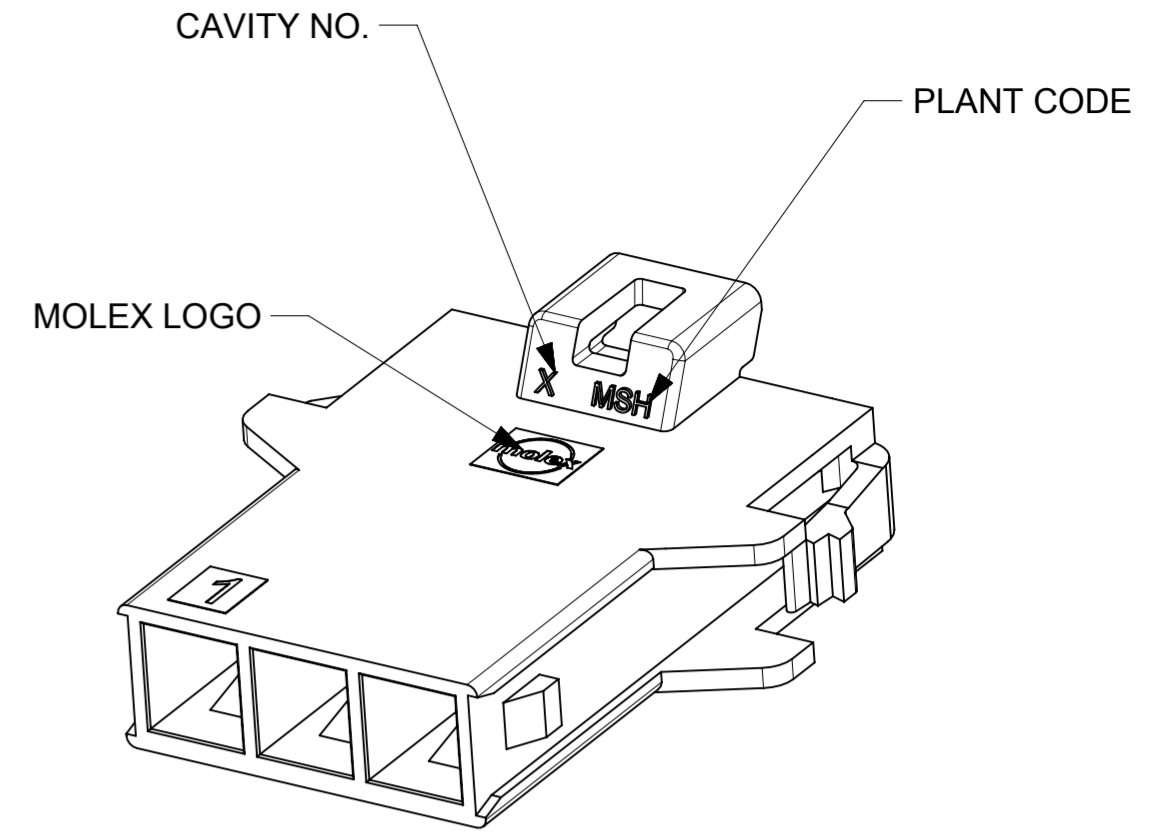
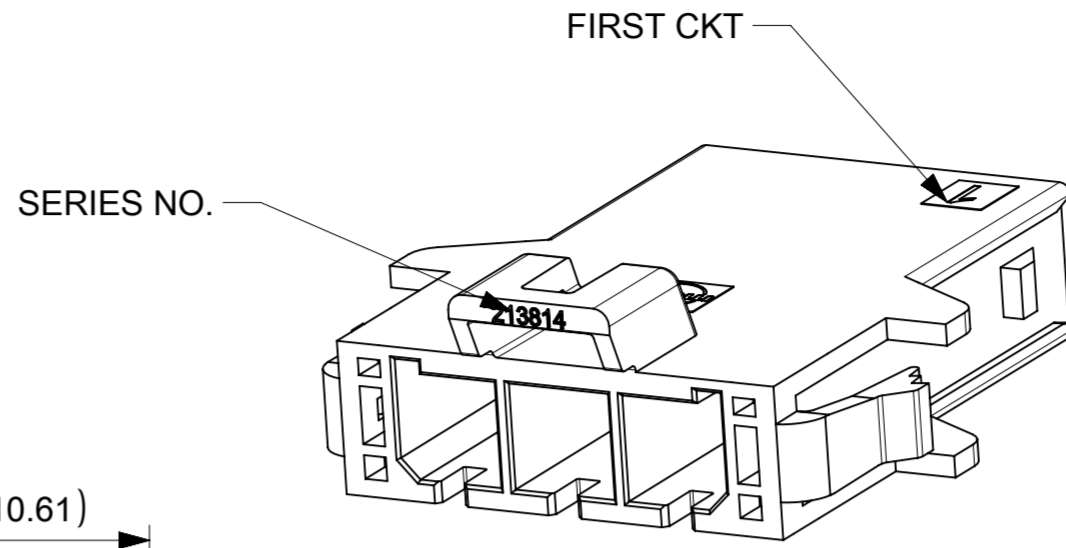
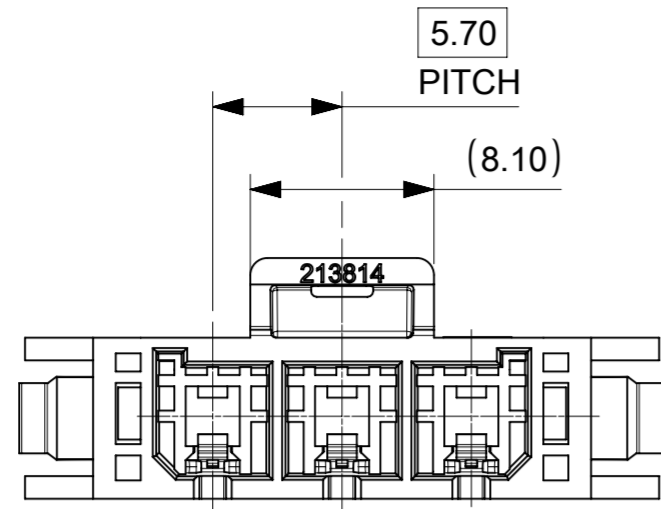


| P/N | CKT | COLOR | DIM"A" |
|-------------|-----|-------|--------|
| 213814 1102 | 2 | BLACK | 13.05 |
| 213814 1103 | 3 | | 18.75 |
| 213814 1104 | 4 | | 24.45 |
| 213814 1105 | 5 | | 30.15 |
| 213814 1106 | 6 | | 35.85 |
| 213814 1107 | 7 | | 41.55 |
| 213814 1108 | 8 | | 47.25 |



RECOMMEND PANEL CUT-OUT
(VIEW FROM MATING SIDE)
PANEL THICKNESS:1.2MM-2.0MM

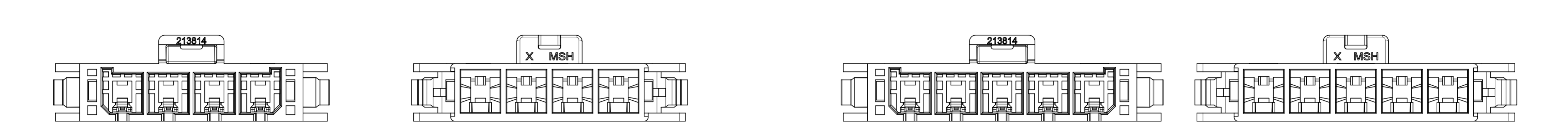
- NOTES:
- MATERIAL: NYLON,UL 94V-0 AND GLOW WIRE CAPABLE PER IEC60335-1. COLOR BLACK.
 - PART MATES WITH MOLEX SERIES:
RECEPTACLE HOUSING: 200456
TPA: 105415
MALE TERMINAL: 105417/105418.
 - PRODUCT SPECIFICATION:1054171000-PS
 - PAKAGING SPECIFICATION: 213814 0001-PK
 - APPLICATION SPECIFICATION:768232000-AS
 - PARTS CONFORM TO CLASS B REQUIREMENTS OF COSMETIC SPECIFICATION PS-45499-002 WITH THE EXCEPTION OF DISCOLORATION MEETS CLASS "C" REQUIREMENTS.

| FUNCTIONAL SYMBOLS | THIS DRAWING CONTAINS INFORMATION THAT IS PROPRIETARY TO MOLEX ELECTRONIC TECHNOLOGIES, LLC AND SHOULD NOT BE USED WITHOUT WRITTEN PERMISSION | | | |
|--------------------|---|------------------------|-------------------------------|--------------------------------|
| DIMENSION UNITS | SCALE | CURRENT REV DESC: | | molex |
| $\nabla_A = 0$ | mm | 5:1 | MEGA-FIT S/R PANEL MOUNT PLUG | |
| $\nabla_C = 0$ | GENERAL TOLERANCES (UNLESS SPECIFIED) | | PRODUCT CUSTOMER DRAWING | |
| $\nabla_P = 0$ | ANGULAR TOL | ± ° | EC NO: 639188 | DOCUMENT NUMBER |
| | 4 PLACES | ± | DRWN: ALU002 | 2019/08/22 |
| | 3 PLACES | ± 0.13 | CHK'D: AYIN | 2020/06/15 |
| | 2 PLACES | ± 0.25 | APPR: AYIN | 2020/06/15 |
| | 1 PLACE | ± | INITIAL REVISION: | DOC TYPE DOC PART REVISION |
| | 0 PLACES | ± | DRWN: ALU002 | 2019/08/22 |
| | | | APPR: AYIN | 2020/06/15 |
| | DRAFT WHERE APPLICABLE MUST REMAIN WITHIN DIMENSIONS | THIRD ANGLE PROJECTION | DRAWING | SERIES |
| | | | A2-SIZE | 213814 |
| | | | MATERIAL NUMBER | CUSTOMER |
| | | | SEE TABLE | GENERAL MARKET |
| | | | SHEET NUMBER | 1 OF 2 |



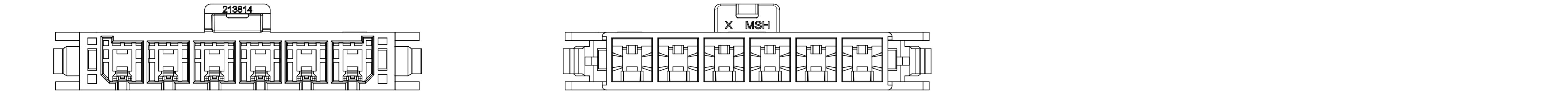
2 CIRCUITS

3 CIRCUITS

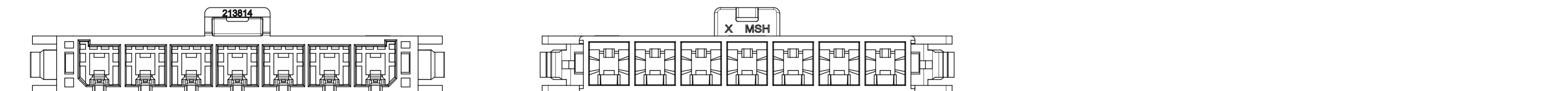


4 CIRCUITS

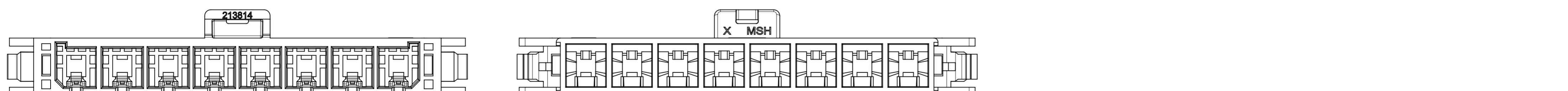
5 CIRCUITS



6 CIRCUITS



7 CIRCUITS



8 CIRCUITS

POLARIZATION LAYOUT

| | | | | | | |
|--|---|---------------------------------------|--|-------------------------|--|---|
| FUNCTIONAL SYMBOLS $\nabla_A = 0$ $\nabla_C = 0$ $\nabla_P = 0$ DIVISIONAL SYMBOLS | THIS DRAWING CONTAINS INFORMATION THAT IS PROPRIETARY TO MOLEX ELECTRONIC TECHNOLOGIES, LLC AND SHOULD NOT BE USED WITHOUT WRITTEN PERMISSION | | DIMENSION UNITS: mm SCALE: 1:1 | | CURRENT REV DESC: | |
| | GENERAL TOLERANCES (UNLESS SPECIFIED) ANGULAR TOL \pm ° 4 PLACES \pm 3 PLACES \pm 0.13 2 PLACES \pm 0.25 1 PLACE \pm 0 PLACES \pm | | EC NO: 639188 DRWN: ALU002 CHK'D: AYIN APPR: AYIN | | 2019/08/22 2020/06/15 2020/06/15 | |
| DRAFT WHERE APPLICABLE MUST REMAIN WITHIN DIMENSIONS | | | THIRD ANGLE PROJECTION | DRAWING: A2-SIZE | SERIES: 213814 | INITIAL REVISION: DRWN: ALU002 APPR: AYIN 2019/08/22 2020/06/15 |
| DOCUMENT STATUS: P1 RELEASE DATE: 2020/06/15 08:31:51 | | DOCUMENT NUMBER: 2138140001-SD | | DOC TYPE: PSD | DOC PART: 000 | REVISION: A |
| MATERIAL NUMBER: SEE TABLE CUSTOMER: GENERAL MARKET | | | SHEET NUMBER: 2 OF 2 | | | |