

# NCP130

## 300 mA, Very Low Dropout Bias Rail CMOS Voltage Regulator

The NCP130 is a 300 mA VLDO equipped with NMOS pass transistor and a separate bias supply voltage ( $V_{BIAS}$ ). The device provides very stable, accurate output voltage with low noise suitable for space constrained, noise sensitive applications. In order to optimize performance for battery operated portable applications, the NCP130 features low  $I_Q$  consumption. The XDFN6 1.2 mm x 1.2 mm package is optimized for use in space constrained applications.

### Features

- Input Voltage Range: 0.8 V to 5.5 V
- Bias Voltage Range: 2.4 V to 5.5 V
- Fixed Output Voltage Device
- Output Voltage Range: 0.8 V to 2.1 V
- $\pm 1.5\%$  Accuracy over Temperature, 0.5%  $V_{OUT}$  @ 25°C
- Ultra-Low Dropout: 150 mV Maximum at 300 mA
- Very Low Bias Input Current of Typ. 80  $\mu$ A
- Very Low Bias Input Current in Disable Mode: Typ. 0.5  $\mu$ A
- Logic Level Enable Input for ON/OFF Control
- Output Active Discharge Option Available
- Stable with a 1  $\mu$ F Ceramic Capacitor
- Available in XDFN6 – 1.2 mm x 1.2 mm x 0.37 mm Package
- These Devices are Pb-Free, Halogen Free/BFR Free and are RoHS Compliant

### Typical Applications

- Battery-powered Equipment
- Smartphones, Tablets
- Cameras, DVRs, STB and Camcorders

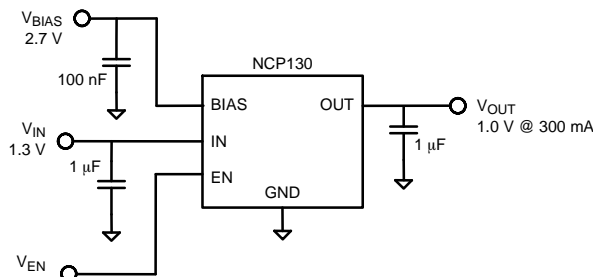


Figure 1. Typical Application Schematics



ON Semiconductor™

[www.onsemi.com](http://www.onsemi.com)

### MARKING DIAGRAM

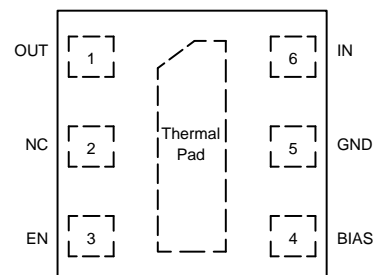


XDFN6  
CASE 711AT



XX = Specific Device Code  
M = Date Code

### PIN CONNECTIONS

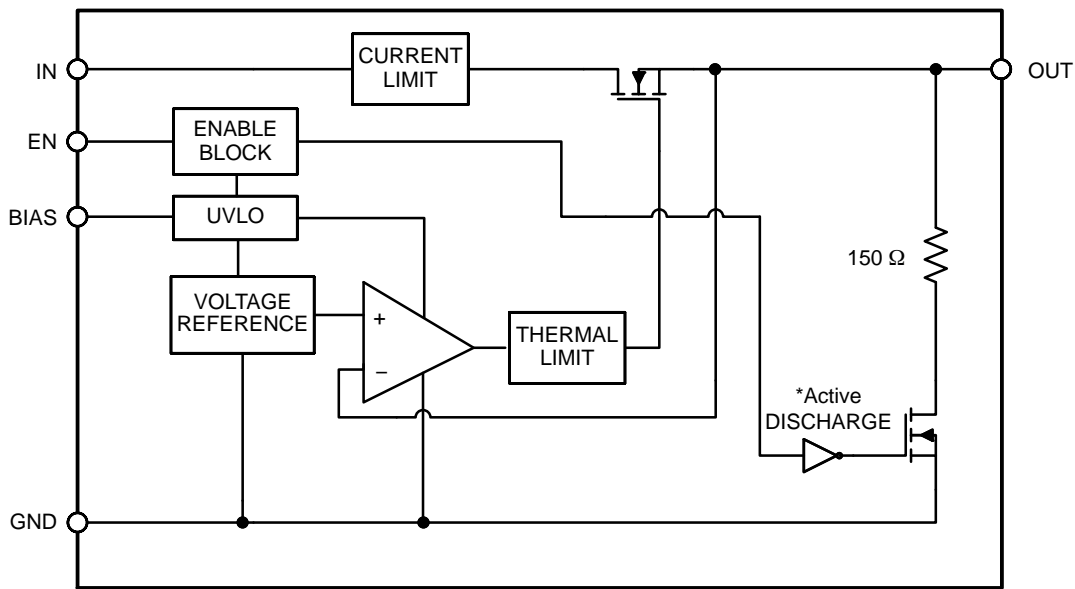


(Top View)

### ORDERING INFORMATION

See detailed ordering, marking and shipping information on page 8 of this data sheet.

# NCP130



\*Active output discharge function is present only in NCP130AMXyyyTCG devices.  
yyy denotes the particular output voltage option.

**Figure 2. Simplified Schematic Block Diagram**

## PIN FUNCTION DESCRIPTION

| Pin No. | Pin Name | Description  |
|---------|----------|--|
| 1       | OUT      | Regulated Output Voltage pin   |
| 2       | N/C      | Not internally connected   |
| 3       | EN       | Enable pin. Driving this pin high enables the regulator. Driving this pin low puts the regulator into shutdown mode. |
| 4       | BIAS     | Bias voltage supply for internal control circuits. This pin is monitored by internal Under-Voltage Lockout Circuit.  |
| 5       | GND      | Ground pin   |
| 6       | IN       | Input Voltage Supply pin   |
| Pad     |          | Should be soldered to the ground plane for increased thermal performance.  |

## ABSOLUTE MAXIMUM RATINGS

| Rating                                    | Symbol             | Value                         | Unit |
|---|--------------------|-------------------------------|------|
| Input Voltage (Note 1)                    | $V_{IN}$           | -0.3 to 6                     | V    |
| Output Voltage                            | $V_{OUT}$          | -0.3 to $(V_{IN}+0.3) \leq 6$ | V    |
| Chip Enable and Bias Input                | $V_{EN}, V_{BIAS}$ | -0.3 to 6                     | V    |
| Output Short Circuit Duration             | $t_{SC}$           | unlimited                     | s    |
| Maximum Junction Temperature              | $T_J$              | 150                           | °C   |
| Storage Temperature                       | $T_{STG}$          | -55 to 150                    | °C   |
| ESD Capability, Human Body Model (Note 2) | $ESD_{HBM}$        | 2000                          | V    |
| ESD Capability, Machine Model (Note 2)    | $ESD_{MM}$         | 200                           | V    |

Stresses exceeding those listed in the Maximum Ratings table may damage the device. If any of these limits are exceeded, device functionality should not be assumed, damage may occur and reliability may be affected.

1. Refer to ELECTRICAL CHARACTERISTICS and APPLICATION INFORMATION for Safe Operating Area.
2. This device series incorporates ESD protection (except OUT pin) and is tested by the following methods:  
ESD Human Body Model tested per EIA/JESD22-A114  
ESD Machine Model tested per EIA/JESD22-A115  
Latchup Current Maximum Rating tested per JEDEC standard: JESD78.

## THERMAL CHARACTERISTICS

| Rating   | Symbol          | Value | Unit |
|--|-----------------|-------|------|
| Thermal Characteristics, XDFN6 1.2 mm x 1.2 mm Thermal Resistance, Junction-to-Air | $R_{\theta JA}$ | 170   | °C/W |

# NCP130

## ELECTRICAL CHARACTERISTICS

$-40^{\circ}\text{C} \leq T_J \leq 85^{\circ}\text{C}$ ;  $V_{\text{BIAS}} = 2.7\text{ V}$  or  $(V_{\text{OUT}} + 1.6\text{ V})$ , whichever is greater,  $V_{\text{IN}} = V_{\text{OUT(NOM)}} + 0.3\text{ V}$ ,  $I_{\text{OUT}} = 1\text{ mA}$ ,  $V_{\text{EN}} = 1\text{ V}$ , unless otherwise noted.  $C_{\text{IN}} = 1\text{ }\mu\text{F}$ ,  $C_{\text{BIAS}} = 0.1\text{ }\mu\text{F}$ ,  $C_{\text{OUT}} = 1\text{ }\mu\text{F}$  (effective capacitance) (Note 3). Typical values are at  $T_J = +25^{\circ}\text{C}$ . Min/Max values are for  $-40^{\circ}\text{C} \leq T_J \leq 85^{\circ}\text{C}$  unless otherwise noted. (Note 4)

| Parameter                         | Test Conditions  | Symbol                    | Min                              | Typ        | Max  | Unit                       |
|-----------------------------------|--|---------------------------|----------------------------------|------------|------|----------------------------|
| Operating Input Voltage Range     |  | $V_{\text{IN}}$           | $V_{\text{OUT}}+V_{\text{DO}}$   |            | 5.5  | V                          |
| Operating Bias Voltage Range      |  | $V_{\text{BIAS}}$         | $(V_{\text{OUT}}+1.35) \geq 2.4$ |            | 5.5  | V                          |
| Undervoltage Lock-out             | $V_{\text{BIAS}}$ Rising Hysteresis  | UVLO                      |                                  | 1.6<br>0.2 |      | V                          |
| Output Voltage Accuracy           | $-40^{\circ}\text{C} \leq T_J \leq 85^{\circ}\text{C}$ , $V_{\text{OUT(NOM)}} + 0.3\text{ V} \leq V_{\text{IN}} \leq 5.0\text{ V}$ , $2.7\text{ V}$ or $(V_{\text{OUT(NOM)}} + 1.6\text{ V})$ , whichever is greater < $V_{\text{BIAS}} < 5.5\text{ V}$ , $1\text{ mA} < I_{\text{OUT}} < 300\text{ mA}$ | $V_{\text{OUT}}$          | -1.5                             |            | +1.5 | %                          |
| Output Voltage Accuracy           |  | $V_{\text{OUT}}$          |                                  | $\pm 0.5$  |      | %                          |
| $V_{\text{IN}}$ Line Regulation   | $V_{\text{OUT(NOM)}} + 0.3\text{ V} \leq V_{\text{IN}} \leq 5.0\text{ V}$  | LineReg                   |                                  | 0.01       |      | %/V                        |
| $V_{\text{BIAS}}$ Line Regulation | $2.7\text{ V}$ or $(V_{\text{OUT(NOM)}} + 1.6\text{ V})$ , whichever is greater < $V_{\text{BIAS}} < 5.5\text{ V}$   | LineReg                   |                                  | 0.01       |      | %/V                        |
| Load Regulation                   | $I_{\text{OUT}} = 1\text{ mA}$ to $300\text{ mA}$  | LoadReg                   |                                  | 1.5        |      | mV                         |
| $V_{\text{IN}}$ Dropout Voltage   | $I_{\text{OUT}} = 300\text{ mA}$ (Note 5)  | $V_{\text{DO}}$           |                                  | 75         | 150  | mV                         |
| $V_{\text{BIAS}}$ Dropout Voltage | $I_{\text{OUT}} = 300\text{ mA}$ , $V_{\text{IN}} = V_{\text{BIAS}}$ (Note 5)  | $V_{\text{DO}}$           |                                  | 1.1        | 1.4  | V                          |
| Output Current Limit              | $V_{\text{OUT}} = 90\% V_{\text{OUT(NOM)}}$  | $I_{\text{CL}}$           | 400                              | 550        | 850  | mA                         |
| Bias Pin Operating Current        | $V_{\text{BIAS}} = 2.7\text{ V}$   | $I_{\text{BIAS}}$         |                                  | 80         | 110  | $\mu\text{A}$              |
| Bias Pin Disable Current          | $V_{\text{EN}} \leq 0.4\text{ V}$  | $I_{\text{BIAS(DIS)}}$    |                                  | 0.5        | 1    | $\mu\text{A}$              |
| Vinput Pin Disable Current        | $V_{\text{EN}} \leq 0.4\text{ V}$  | $I_{\text{VIN(DIS)}}$     |                                  | 0.5        | 1    | $\mu\text{A}$              |
| EN Pin Threshold Voltage          | EN Input Voltage "H"   | $V_{\text{EN(H)}}$        | 0.9                              |            |      | V                          |
|                                   | EN Input Voltage "L"   | $V_{\text{EN(L)}}$        |                                  |            | 0.4  |                            |
| EN Pull Down Current              | $V_{\text{EN}} = 5.5\text{ V}$   | $I_{\text{EN}}$           |                                  | 0.3        | 1.0  | $\mu\text{A}$              |
| Turn-On Time                      | $C_{\text{OUT}} = 1\text{ }\mu\text{F}$ , From assertion of $V_{\text{EN}}$ to $V_{\text{OUT}} = 98\% V_{\text{OUT(NOM)}}$ , $V_{\text{OUT(NOM)}} = 1.05\text{ V}$   | $t_{\text{ON}}$           |                                  | 150        |      | $\mu\text{s}$              |
| Power Supply Rejection Ratio      | $V_{\text{IN}}$ to $V_{\text{OUT}}$ , $f = 1\text{ kHz}$ , $I_{\text{OUT}} = 300\text{ mA}$ , $V_{\text{IN}} \geq V_{\text{OUT}} + 0.5\text{ V}$   | PSRR( $V_{\text{IN}}$ )   |                                  | 65         |      | dB                         |
|                                   | $V_{\text{BIAS}}$ to $V_{\text{OUT}}$ , $f = 1\text{ kHz}$ , $I_{\text{OUT}} = 300\text{ mA}$ , $V_{\text{IN}} \geq V_{\text{OUT}} + 0.5\text{ V}$   | PSRR( $V_{\text{BIAS}}$ ) |                                  | 80         |      |                            |
| Output Noise Voltage              | $V_{\text{IN}} = V_{\text{OUT}} + 0.5\text{ V}$ , $V_{\text{OUT(NOM)}} = 1.05\text{ V}$ , $f = 10\text{ Hz}$ to $100\text{ kHz}$   | $V_{\text{N}}$            |                                  | 40         |      | $\mu\text{V}_{\text{RMS}}$ |
| Thermal Shutdown Threshold        | Temperature increasing   |                           |                                  | 160        |      | $^{\circ}\text{C}$         |
|                                   | Temperature decreasing   |                           |                                  | 140        |      |                            |
| Output Discharge Pull-Down        | $V_{\text{EN}} \leq 0.4\text{ V}$ , $V_{\text{OUT}} = 0.5\text{ V}$ , NCP130A options only   | $R_{\text{DISCH}}$        |                                  | 150        |      | $\Omega$                   |

Product parametric performance is indicated in the Electrical Characteristics for the listed test conditions, unless otherwise noted. Product performance may not be indicated by the Electrical Characteristics if operated under different conditions.

- Effective capacitance, including the effect of DC bias, tolerance and temperature. See the Application Information section for more information.
- Performance guaranteed over the indicated operating temperature range by design and/or characterization. Production tested at  $T_A = 25^{\circ}\text{C}$ . Low duty cycle pulse techniques are used during the testing to maintain the junction temperature as close to ambient as possible.
- Dropout voltage is characterized when  $V_{\text{OUT}}$  falls 3% below  $V_{\text{OUT(NOM)}}$ .

# NCP130

## APPLICATIONS INFORMATION

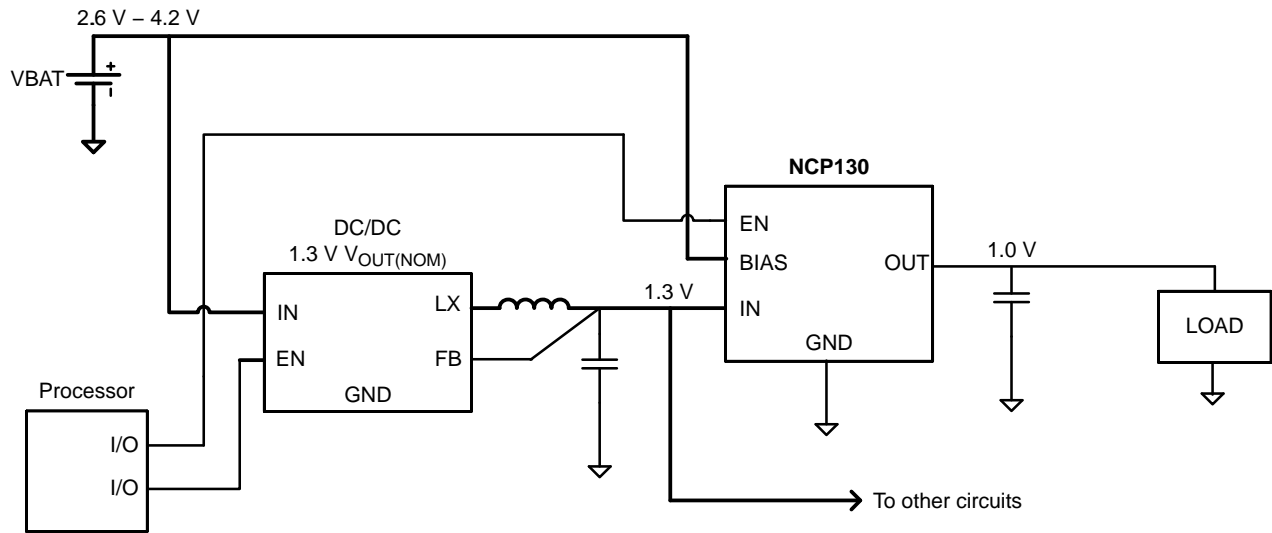


Figure 3. Typical Application: Low-Voltage Post-Regulator with ON/OFF functionality

TYPICAL CHARACTERISTICS

At  $T_J = +25^\circ\text{C}$ ,  $V_{IN} = V_{OUT(TYP)} + 0.3\text{ V}$ ,  $V_{BIAS} = 2.7\text{ V}$ ,  $V_{EN} = V_{BIAS}$ ,  $V_{OUT(NOM)} = 1.05\text{ V}$ ,  $I_{OUT} = 300\text{ mA}$ ,  $C_{IN} = 1\text{ }\mu\text{F}$ ,  $C_{BIAS} = 0.1\text{ }\mu\text{F}$ , and  $C_{OUT} = 1\text{ }\mu\text{F}$  (effective capacitance), unless otherwise noted.

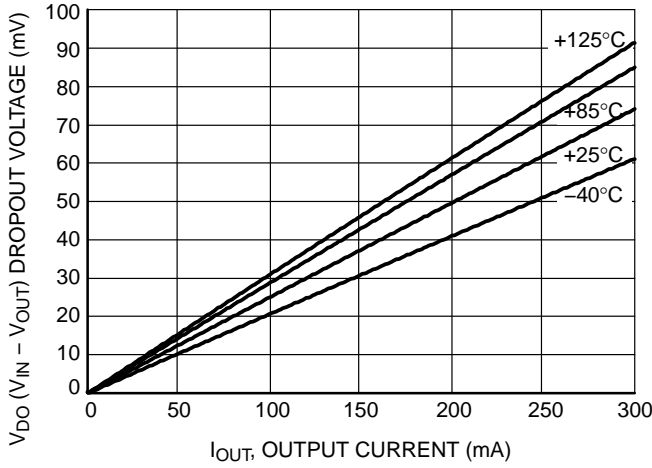


Figure 4.  $V_{IN}$  Dropout Voltage vs.  $I_{OUT}$  and Temperature  $T_J$

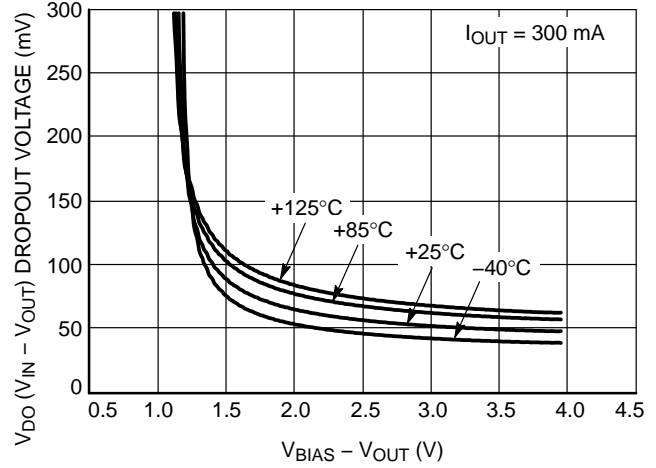


Figure 5.  $V_{IN}$  Dropout Voltage vs.  $(V_{BIAS} - V_{OUT})$  and Temperature  $T_J$

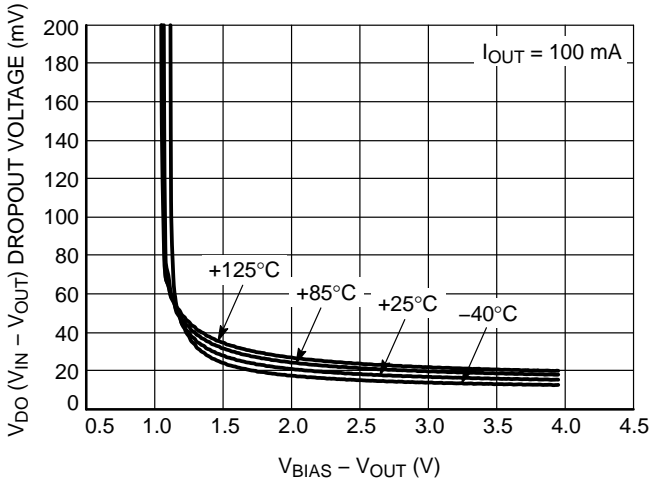


Figure 6.  $V_{IN}$  Dropout Voltage vs.  $(V_{BIAS} - V_{OUT})$  and Temperature  $T_J$

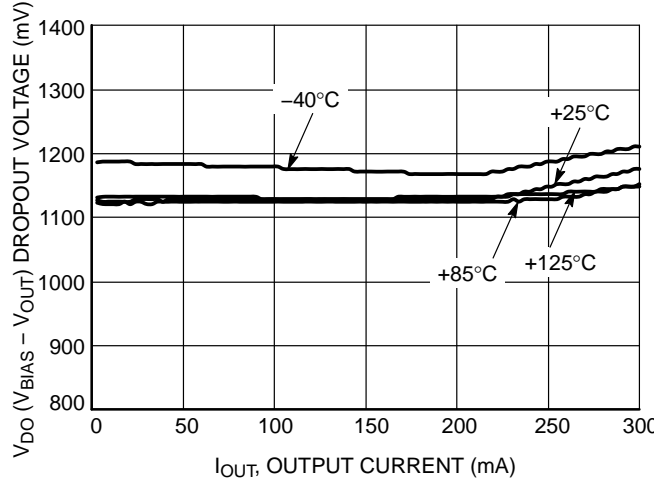


Figure 7.  $V_{BIAS}$  Dropout Voltage vs.  $I_{OUT}$  and Temperature  $T_J$

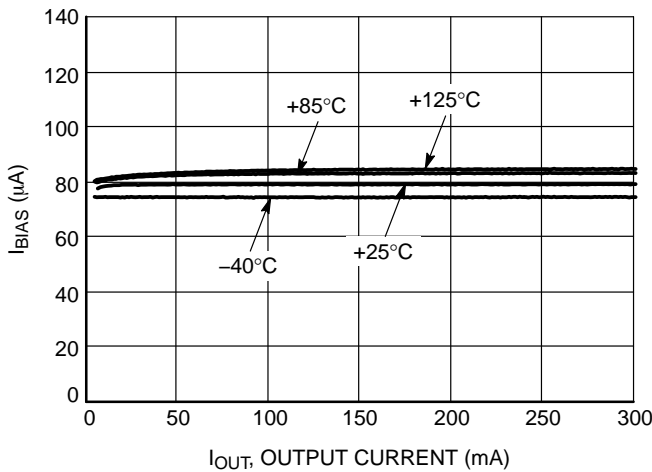


Figure 8. BIAS Pin Current vs.  $I_{OUT}$  and Temperature  $T_J$

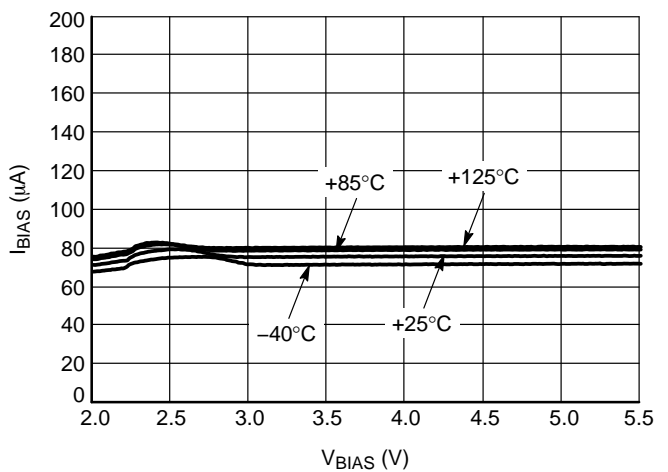


Figure 9. BIAS Pin Current vs.  $V_{BIAS}$  and Temperature  $T_J$

# NCP130

## TYPICAL CHARACTERISTICS

At  $T_J = +25^\circ\text{C}$ ,  $V_{IN} = V_{OUT(TYP)} + 0.3\text{ V}$ ,  $V_{BIAS} = 2.7\text{ V}$ ,  $V_{EN} = V_{BIAS}$ ,  $V_{OUT(NOM)} = 1.05\text{ V}$ ,  $I_{OUT} = 300\text{ mA}$ ,  $C_{IN} = 1\text{ }\mu\text{F}$ ,  $C_{BIAS} = 0.1\text{ }\mu\text{F}$ , and  $C_{OUT} = 1\text{ }\mu\text{F}$  (effective capacitance), unless otherwise noted.

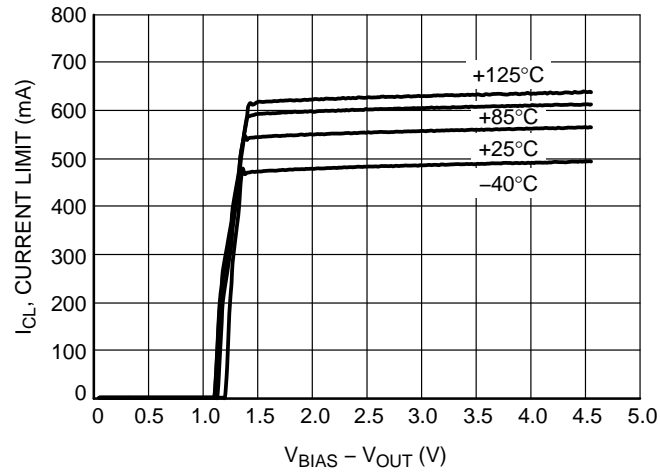


Figure 10. Current Limit vs. ( $V_{BIAS} - V_{OUT}$ )

## APPLICATIONS INFORMATION

The NCP130 dual-rail very low dropout voltage regulator is using NMOS pass transistor for output voltage regulation from  $V_{IN}$  voltage. All the low current internal controll circuitry is powered from the  $V_{BIAS}$  voltage.

The use of an NMOS pass transistor offers several advantages in applications. Unlike a PMOS topology devices, the output capacitor has reduced impact on loop stability.  $V_{IN}$  to  $V_{OUT}$  operating voltage difference can be very low compared with standard PMOS regulators in very low  $V_{IN}$  applications.

The NCP130 offers smooth monotonic start-up. The controlled voltage rising limits the inrush current.

The Enable (EN) input is equipped with internal hysteresis.

NCP130 is a Fixed Voltage linear regulator.

### Dropout Voltage

Because of two power supply inputs  $V_{IN}$  and  $V_{BIAS}$  and one  $V_{OUT}$  regulator output, there are two Dropout voltages specified.

The first, the  $V_{IN}$  Dropout voltage is the voltage difference ( $V_{IN} - V_{OUT}$ ) when  $V_{OUT}$  starts to decrease by percents specified in the Electrical Characteristics table.  $V_{BIAS}$  is high enough, specific value is published in the Electrical Characteristics table.

The second,  $V_{BIAS}$  dropout voltage is the voltage difference ( $V_{BIAS} - V_{OUT}$ ) when  $V_{IN}$  and  $V_{BIAS}$  pins are joined together and  $V_{OUT}$  starts to decrease.

### Input and Output Capacitors

The device is designed to be stable for ceramic output capacitors with Effective capacitance in the range from 1  $\mu\text{F}$  to 10  $\mu\text{F}$ . The device is also stable with multiple capacitors in parallel, having the total effective capacitance in the specified range.

In applications where no low input supplies impedance available (PCB inductance in  $V_{IN}$  and/or  $V_{BIAS}$  inputs as example), the recommended  $C_{IN} = 1 \mu\text{F}$  and  $C_{BIAS} = 0.1 \mu\text{F}$  or greater. Ceramic capacitors are recommended. For the best performance all the capacitors should be connected to the NCP130 respective pins directly in the device PCB copper layer, not through vias having not negligible impedance.

When using small ceramic capacitor, their capacitance is not constant but varies with applied DC biasing voltage, temperature and tolerance. The effective capacitance can be much lower than their nominal capacitance value, most importantly in negative temperatures and higher LDO output voltages. That is why the recommended Output capacitor capacitance value is specified as Effective value in the specific application conditions.

### Enable Operation

The enable pin will turn the regulator on or off. The threshold limits are covered in the electrical characteristics table in this data sheet. If the enable function is not to be used then the pin should be connected to  $V_{IN}$  or  $V_{BIAS}$ .

### Current Limitation

The internal Current Limitation circuitry allows the device to supply the full nominal current and surges but protects the device against Current Overload or Short.

### Thermal Protection

Internal thermal shutdown (TSD) circuitry is provided to protect the integrated circuit in the event that the maximum junction temperature is exceeded. When TSD activated, the regulator output turns off. When cooling down under the low temperature threshold, device output is activated again. This TSD feature is provided to prevent failures from accidental overheating.

# NCP130

## ORDERING INFORMATION

| Device          | Nominal Output Voltage | Marking | Marking Rotation | Option                  | Package            | Shipping†          |
|-----------------|------------------------|---------|------------------|-------------------------|--------------------|--------------------|
| NCP130AMX080TCG | 0.80 V                 | Q       | 180°             | Output Active Discharge | XDFN6<br>(Pb-Free) | 3000 / Tape & Reel |
| NCP130AMX090TCG | 0.90 V                 | EA      | No rotation      |                         |                    |                    |
| NCP130AMX100TCG | 1.00 V                 | EC      | No rotation      |                         |                    |                    |
| NCP130AMX105TCG | 1.05 V                 | R       | 180°             |                         |                    |                    |
| NCP130AMX110TCG | 1.10 V                 | T       | 180°             |                         |                    |                    |
| NCP130AMX115TCG | 1.15 V                 | V       | 180°             |                         |                    |                    |
| NCP130AMX120TCG | 1.20 V                 | Y       | 180°             |                         |                    |                    |
| NCP130AMX150TCG | 1.50 V                 | 2       | 180°             |                         |                    |                    |
| NCP130AMX170TCG | 1.70 V                 | ED      | No rotation      |                         |                    |                    |
| NCP130AMX180TCG | 1.80 V                 | 3       | 180°             |                         |                    |                    |
| NCP130AMX210TCG | 2.10 V                 | 4       | 180°             |                         |                    |                    |
| NCP130BMX080TCG | 0.80 V                 | Q       | 270°             | Non-Active Discharge    |                    |                    |
| NCP130BMX090TCG | 0.90 V                 | HA      | No rotation      |                         |                    |                    |
| NCP130BMX100TCG | 1.00 V                 | HC      | No rotation      |                         |                    |                    |
| NCP130BMX105TCG | 1.05 V                 | R       | 270°             |                         |                    |                    |
| NCP130BMX110TCG | 1.10 V                 | T       | 270°             |                         |                    |                    |
| NCP130BMX115TCG | 1.15 V                 | V       | 270°             |                         |                    |                    |
| NCP130BMX120TCG | 1.20 V                 | Y       | 270°             |                         |                    |                    |
| NCP130BMX150TCG | 1.50 V                 | 2       | 270°             |                         |                    |                    |
| NCP130BMX170TCG | 1.70 V                 | HD      | No rotation      |                         |                    |                    |
| NCP130BMX180TCG | 1.80 V                 | 3       | 270°             |                         |                    |                    |
| NCP130BMX210TCG | 2.10 V                 | 4       | 270°             |                         |                    |                    |

†For information on tape and reel specifications, including part orientation and tape sizes, please refer to our Tape and Reel Packaging Specifications Brochure, BRD8011/D.

To order other package and voltage variants, please contact your ON sales representative



# MECHANICAL CASE OUTLINE

## PACKAGE DIMENSIONS

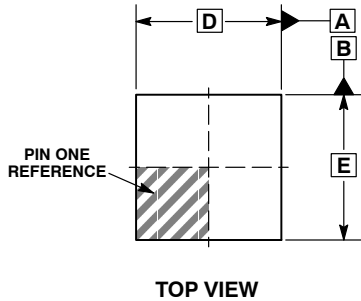
ON Semiconductor®



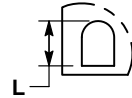
SCALE 4:1

**XDFN6 1.20x1.20, 0.40P**  
CASE 711AT  
ISSUE C

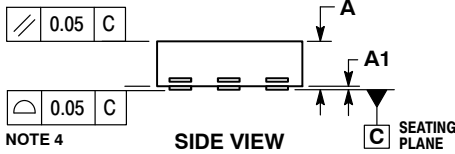
DATE 04 DEC 2015



TOP VIEW

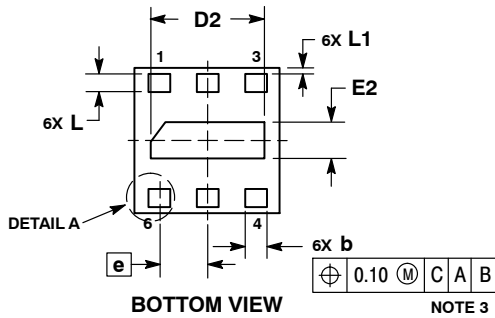


DETAIL A  
OPTIONAL  
CONSTRUCTION



SIDE VIEW

NOTE 4



BOTTOM VIEW

NOTE 3

NOTES:

1. DIMENSIONING AND TOLERANCING PER ASME Y14.5M, 1994.
2. CONTROLLING DIMENSION: MILLIMETERS.
3. DIMENSION b APPLIES TO THE PLATED TERMINALS.
4. COPLANARITY APPLIES TO THE PAD AS WELL AS THE TERMINALS.

| DIM | MILLIMETERS |      |      |
|-----|-------------|------|------|
|     | MIN         | TYP  | MAX  |
| A   | 0.30        | 0.37 | 0.45 |
| A1  | 0.00        | 0.03 | 0.05 |
| b   | 0.13        | 0.18 | 0.23 |
| D   | 1.15        | 1.20 | 1.25 |
| D2  | 0.84        | 0.94 | 1.04 |
| E   | 1.15        | 1.20 | 1.25 |
| E2  | 0.20        | 0.30 | 0.40 |
| e   | 0.40 BSC    |      |      |
| L   | 0.15        | 0.20 | 0.25 |
| L1  | 0.00        | 0.05 | 0.10 |

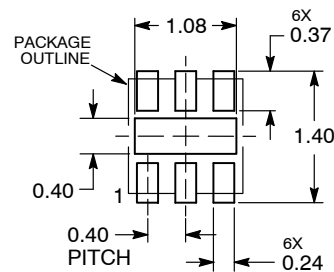
**GENERIC MARKING DIAGRAM\***



XX = Specific Device Code  
M = Date Code

\*This information is generic. Please refer to device data sheet for actual part marking. Pb-Free indicator, "G" or microdot "▪", may or may not be present.

**RECOMMENDED MOUNTING FOOTPRINT\***



DIMENSIONS: MILLIMETERS

\*For additional information on our Pb-Free strategy and soldering details, please download the ON Semiconductor Soldering and Mounting Techniques Reference Manual, SOLDERRM/D.

|                         |                                  |  |
|-------------------------|----------------------------------|--|
| <b>DOCUMENT NUMBER:</b> | <b>98AON76141F</b>               | Electronic versions are uncontrolled except when accessed directly from the Document Repository. Printed versions are uncontrolled except when stamped "CONTROLLED COPY" in red. |
| <b>DESCRIPTION:</b>     | <b>XDFN6, 1.20 X 1.20, 0.40P</b> | <b>PAGE 1 OF 1</b>   |

ON Semiconductor and are trademarks of Semiconductor Components Industries, LLC dba ON Semiconductor or its subsidiaries in the United States and/or other countries. ON Semiconductor reserves the right to make changes without further notice to any products herein. ON Semiconductor makes no warranty, representation or guarantee regarding the suitability of its products for any particular purpose, nor does ON Semiconductor assume any liability arising out of the application or use of any product or circuit, and specifically disclaims any and all liability, including without limitation special, consequential or incidental damages. ON Semiconductor does not convey any license under its patent rights nor the rights of others.

ON Semiconductor and  are trademarks of Semiconductor Components Industries, LLC dba ON Semiconductor or its subsidiaries in the United States and/or other countries. ON Semiconductor owns the rights to a number of patents, trademarks, copyrights, trade secrets, and other intellectual property. A listing of ON Semiconductor's product/patent coverage may be accessed at [www.onsemi.com/site/pdf/Patent-Marking.pdf](http://www.onsemi.com/site/pdf/Patent-Marking.pdf). ON Semiconductor reserves the right to make changes without further notice to any products herein. ON Semiconductor makes no warranty, representation or guarantee regarding the suitability of its products for any particular purpose, nor does ON Semiconductor assume any liability arising out of the application or use of any product or circuit, and specifically disclaims any and all liability, including without limitation special, consequential or incidental damages. Buyer is responsible for its products and applications using ON Semiconductor products, including compliance with all laws, regulations and safety requirements or standards, regardless of any support or applications information provided by ON Semiconductor. "Typical" parameters which may be provided in ON Semiconductor data sheets and/or specifications can and do vary in different applications and actual performance may vary over time. All operating parameters, including "Typicals" must be validated for each customer application by customer's technical experts. ON Semiconductor does not convey any license under its patent rights nor the rights of others. ON Semiconductor products are not designed, intended, or authorized for use as a critical component in life support systems or any FDA Class 3 medical devices or medical devices with a same or similar classification in a foreign jurisdiction or any devices intended for implantation in the human body. Should Buyer purchase or use ON Semiconductor products for any such unintended or unauthorized application, Buyer shall indemnify and hold ON Semiconductor and its officers, employees, subsidiaries, affiliates, and distributors harmless against all claims, costs, damages, and expenses, and reasonable attorney fees arising out of, directly or indirectly, any claim of personal injury or death associated with such unintended or unauthorized use, even if such claim alleges that ON Semiconductor was negligent regarding the design or manufacture of the part. ON Semiconductor is an Equal Opportunity/Affirmative Action Employer. This literature is subject to all applicable copyright laws and is not for resale in any manner.

## PUBLICATION ORDERING INFORMATION

### LITERATURE FULFILLMENT:

Email Requests to: [orderlit@onsemi.com](mailto:orderlit@onsemi.com)

ON Semiconductor Website: [www.onsemi.com](http://www.onsemi.com)

### TECHNICAL SUPPORT

North American Technical Support:  
Voice Mail: 1 800-282-9855 Toll Free USA/Canada  
Phone: 011 421 33 790 2910

### Europe, Middle East and Africa Technical Support:

Phone: 00421 33 790 2910

For additional information, please contact your local Sales Representative

# Mouser Electronics

Authorized Distributor

Click to View Pricing, Inventory, Delivery & Lifecycle Information:

## ON Semiconductor:

[NCP130AMX105TCG](#) [NCP130BMX120TCG](#) [NCP130AMX110TCG](#) [NCP130BMX105TCG](#) [NCP130AMX210TCG](#)  
[NCP130BMX150TCG](#) [NCP130BMX110TCG](#) [NCP130BMX115TCG](#) [NCP130BMX180TCG](#) [NCP130BMX210TCG](#)  
[NCP130AMX120TCG](#) [NCP130AMX115TCG](#) [NCP130AMX150TCG](#) [NCP130AMX180TCG](#) [NCP130BMX080TCG](#)  
[NCP130AMX080TCG](#) [NCP130AMX090TCG](#) [NCP130AMX100TCG](#) [NCP130BMX090TCG](#) [NCP130BMX100TCG](#)