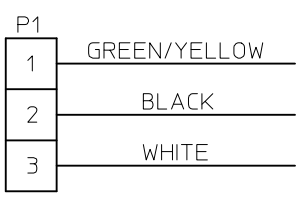
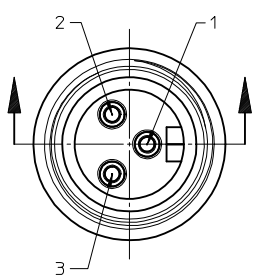
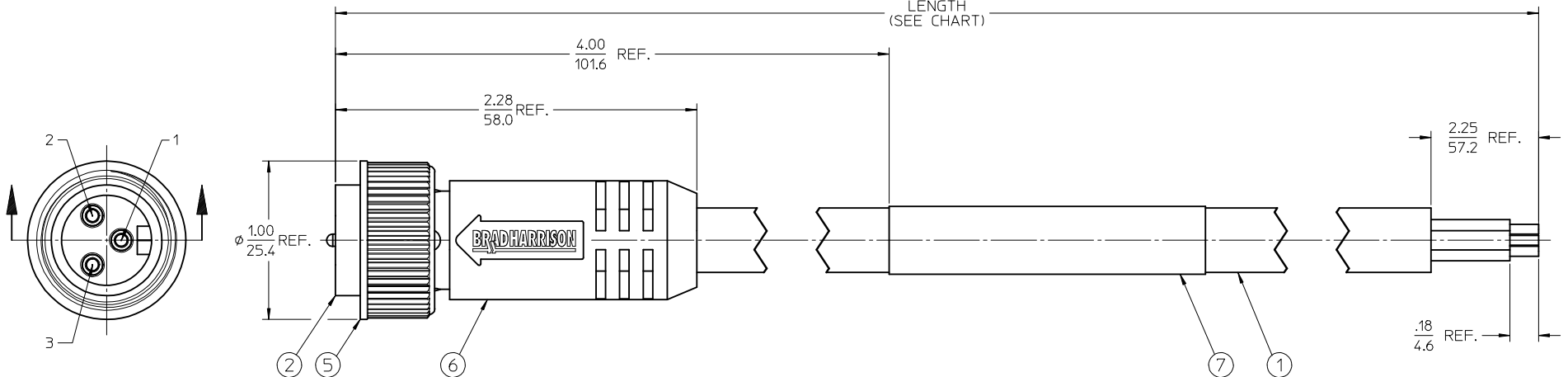
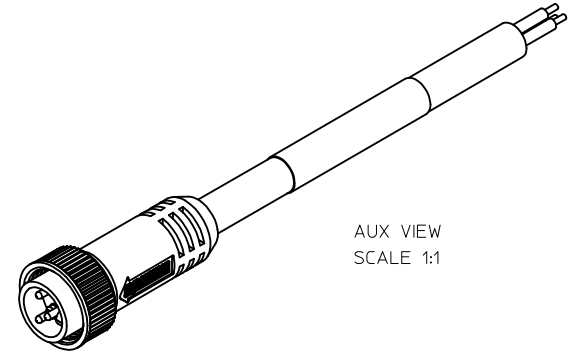
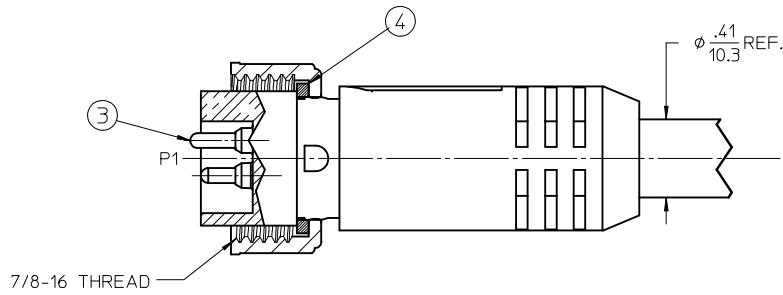
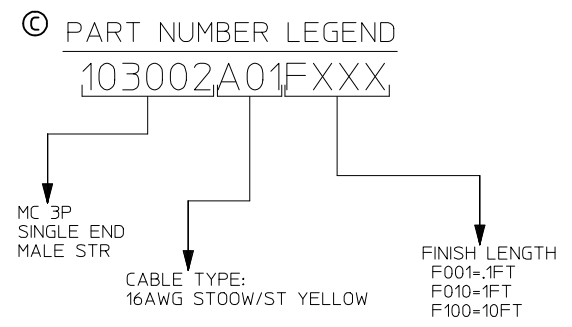


PART NUMBER	ENGINEERING NO.	LENGTH
1300060529	103002A01F030	3' +1.75 - 0 [ 0.9M +44.5 - 0 ]
1300060534	103002A01F060	6' +2.19 - 0 [ 1.8M +55.6 - 0 ]
1300060542	103002A01F120	12' +3.50 - 0 [ 3.7M +88.9 - 0 ]
1300060549	103002A01F200	20' +6.50 - 0 [ 6.1M +165.1 - 0 ]



- NOTES:
1. MATERIAL: SEE TABLE
  2. FINISHES: SEE TABLE
  3. CABLE ASSEMBLIES ARE BAGGED SEPERATELY IN POLY BAGS WITH BARCODE LABEL ATTACHED TO OUTSIDE OF BAG
  4. WRAP LABEL IS MARKED WITH P/N, DATE CODE VOLTAGE & AMPERAGE
  5. MATES WITH: MINI CHANGE, A-SIZE 3 POLE RECEPTACLE
  6. ELECTRICAL SPECIFICATIONS:  
VOLTAGE RATING: 600V  
CURRENT RATING: 13 AMPS
  7. ASSEMBLY IS RoHS COMPLIANT



ITEM	QTY.	DESCRIPTION	MATERIAL	FINISH
7	1	LABEL	PLASTIC FILM	BLACK/YELLOW
6	1	OVERMOLD, STRAIGHT	PVC	YELLOW
5	1	COUPLING NUT, FEMALE	ZINC DIE CAST	BLACK
4	1	FRICION RING	NYLON	WHITE
3	3	CONTACT PIN, 16 AWG	BRASS	GOLD PLATED
2	1	INSERT, MALE, 3 POLE	PVC	YELLOW
1	1	CABLE, STOOV/ST #16/3	PVC JACKET	YELLOW

ADDED PART NO. LEGEND  
 EC NO: JFG2016-0872  
 DRAWINGGUSTAFSON 2015/12/10  
 CHKD:HZL/ELIN 2015/12/22  
 APPR:BMWOODMAN 2015/12/17

QUALITY SYMBOLS ▽=0 ▽=0	GENERAL TOLERANCES (UNLESS SPECIFIED)	DIMENSION STYLE IN/MM	SCALE 1.5:1	DESIGN UNITS INCH	THIRD ANGLE PROJECTION														
	<table border="1"> <thead> <tr> <th></th> <th>mm</th> <th>INCH</th> </tr> </thead> <tbody> <tr> <td>4 PLACES ±</td> <td>---</td> <td>± .005</td> </tr> <tr> <td>3 PLACES ±</td> <td>---</td> <td>± .010</td> </tr> <tr> <td>2 PLACES ±</td> <td>---</td> <td>± .020</td> </tr> <tr> <td>1 PLACE ±</td> <td>---</td> <td>± .050</td> </tr> </tbody> </table>		mm	INCH	4 PLACES ±	---	± .005	3 PLACES ±	---	± .010	2 PLACES ±	---	± .020	1 PLACE ±	---	± .050	DRAWN BY: LHARTMANN DATE: 2009/06/05 CHECKED BY: RSTONE DATE: 2009/06/08 APPROVED BY: JFMURPHY DATE: 2009/06/08	TITLE: MINI-CHANGE PORTABLE 3 POLE MALE STRAIGHT #16/3 YELLOW STOOV/ST MOLEX INCORPORATED DOCUMENT NO. SD-130006-003 SHEET NO. 1 OF 1	
	mm	INCH																	
4 PLACES ±	---	± .005																	
3 PLACES ±	---	± .010																	
2 PLACES ±	---	± .020																	
1 PLACE ±	---	± .050																	
DRAFT WHERE APPLICABLE MUST REMAIN WITHIN DIMENSIONS		THIS DRAWING CONTAINS INFORMATION THAT IS PROPRIETARY TO MOLEX INCORPORATED AND SHOULD NOT BE USED WITHOUT WRITTEN PERMISSION																	

# Mouser Electronics

Authorized Distributor

Click to View Pricing, Inventory, Delivery & Lifecycle Information:

Molex:

[1300060542](#) [103002A01F120](#)