

Electromechanical Indicator Sounder

multicomp PRO

**RoHS
Compliant**

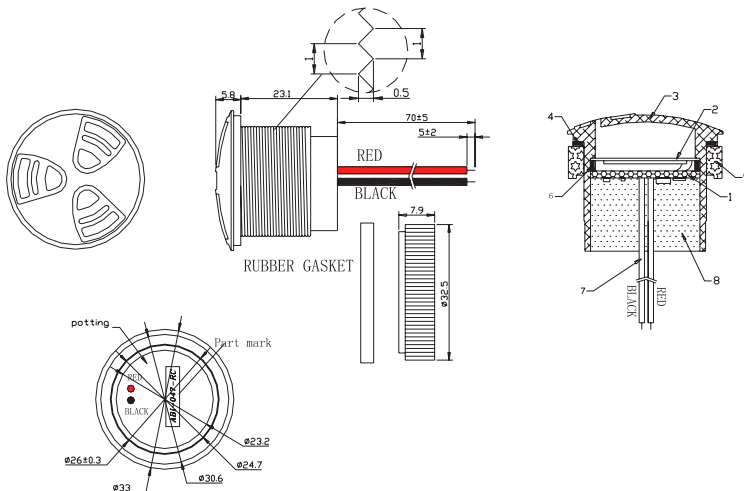


Specifications

Rated Voltage	: 10V DC
Operating Voltage	: 5V DC to 25V DC
*Rated Current (Max)	: 25mA
* Min. Sound Output at 10cm	: 100dB
* Resonant Frequency	: 2900Hz ±500Hz
Tone Nature	: Single
Operating Temperature	: -20°C to +65°C
Storage Temperature	: -40°C to +85°C
Weight	: 20g
Housing Material	: Black Noryl
Lead Wire	: UL1007 AWG22 (Red & Black)

*Value Applying at Rated Voltage(V DC)

Diagram



No.	Part Name	Material	Qty.
1.	PCB	Epoxy Board	1
2.	Piezo element	Brass	
3.	Housing	Black Noryl	
4.	Rubber pad	Rubber	
5.	Cap	Black Noryl	
6.	Washer	Black Noryl	
7.	Lead Wire	UL1007 AWG22 (Red&Black)	2
8.	Epoxy	Epoxy	-

Part Number Table

Description	Part Number
Electro Mech Buzzer, 5V DC to 25V DC, 100dB, with leads	MCABI-047-RC

Dimensions : Millimetres
Tolerance: ±0.5mm

Important Notice : This data sheet and its contents (the "Information") belong to the members of the AVNET group of companies (the "Group") or are licensed to it. No licence is granted for the use of it other than for information purposes in connection with the products to which it relates. No licence of any intellectual property rights is granted. The Information is subject to change without notice and replaces all data sheets previously supplied. The Information supplied is believed to be accurate but the Group assumes no responsibility for its accuracy or completeness, any error in or omission from it or for any use made of it. Users of this data sheet should check for themselves the Information and the suitability of the products for their purpose and not make any assumptions based on information included or omitted. Liability for loss or damage resulting from any reliance on the Information or use of it (including liability resulting from negligence or where the Group was aware of the possibility of such loss or damage arising) is excluded. This will not operate to limit or restrict the Group's liability for death or personal injury resulting from its negligence. Multicomp Pro is the registered trademark of Premier Farnell Limited 2019.

Newark.com/multicomp-pro
Farnell.com/multicomp-pro
sg.element14.com/b/multicomp-pro

multicomp PRO