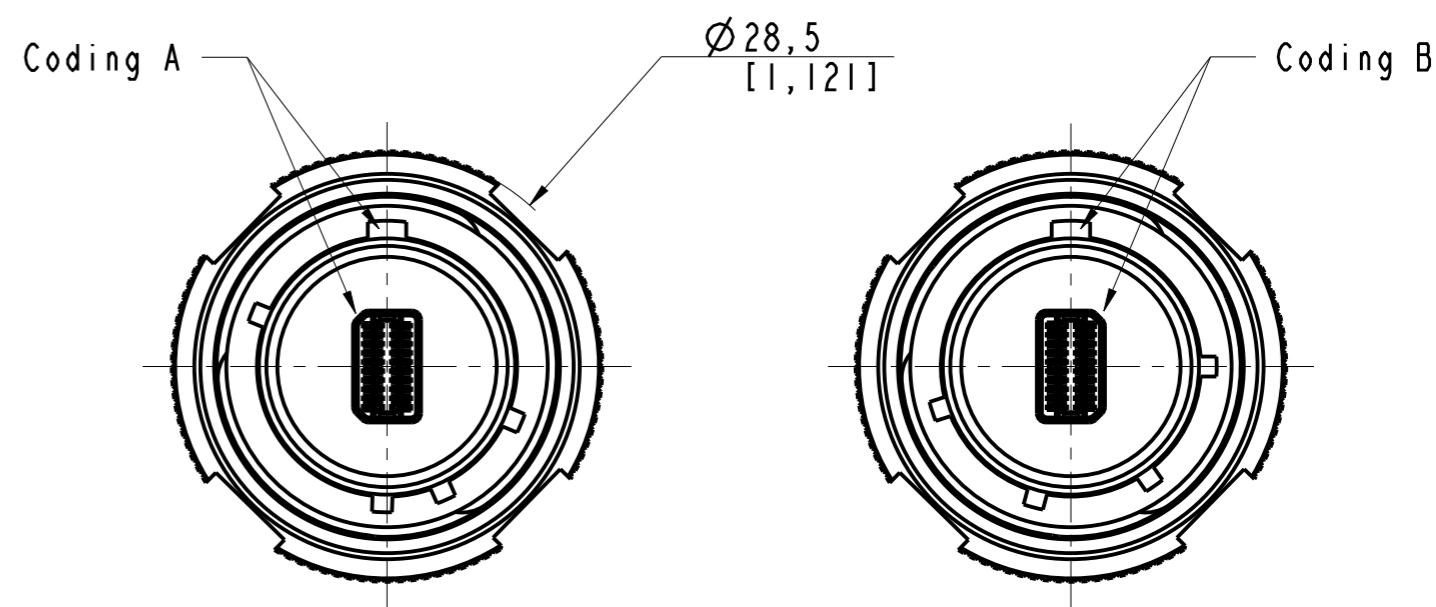
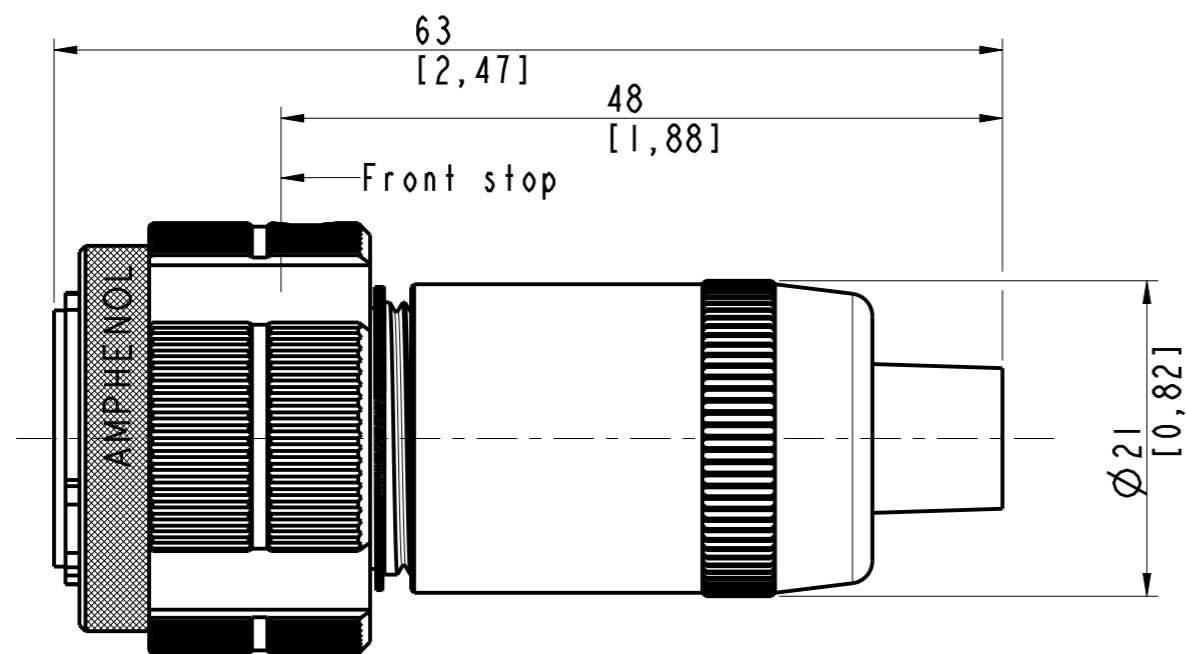


Product usable with male Mini Display Port cordset



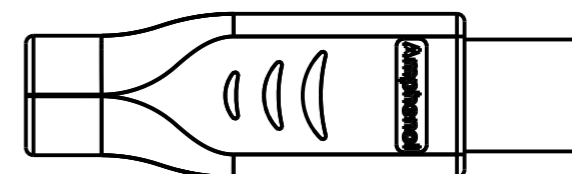
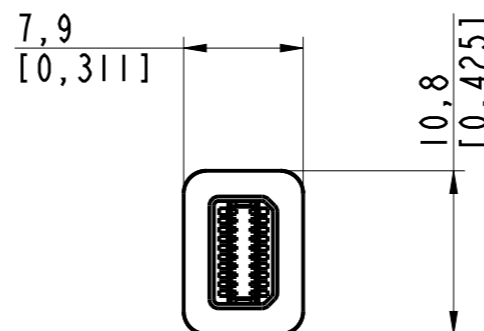
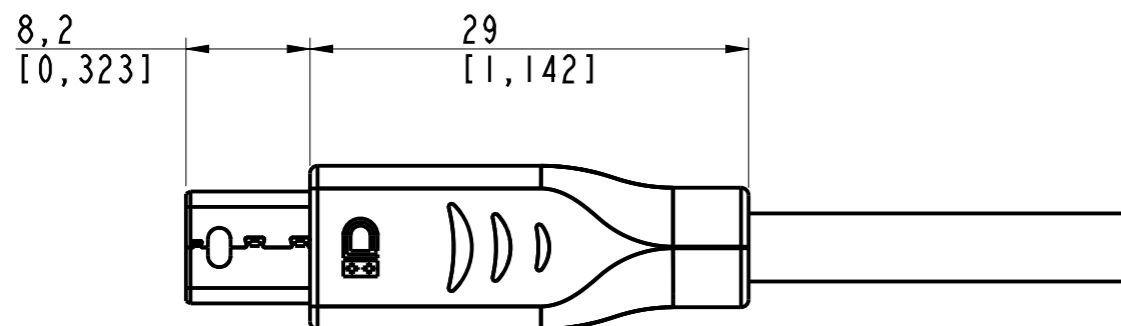
Possible references:

MDP FTV 6 x G olive drab cadmium plating

MDP FTV 6 x N nickel plating

MDP FTV 6 x ZN black zinc nickel plating

↑ Coding A or B



Usable male Mini Display Port cordset (not included).

MDP FTV 6 x x

DANS LE BUT CONSTANT D'AMELIORER SES PRODUITS, Amphenol Socapex SE RESERVE LE DROIT D'EN MODIFIER TOUTE COTE OU CARACTERISTIQUE. IMP 036 A

MODIFICATIONS	A	Plan original	ECHELLE 2,000
	B	Updated drawing 10/10/17	

Amphenol Socapex  
BP 29 - 74311 THYEZ CEDEX

DESSIN: TUPIN 1e 30/01/17  
TECHNIQUE: GUYOMAR 1e 10/10/17

A	B								
191-PLC-748-00									
1/1									

# Mouser Electronics

Authorized Distributor

Click to View Pricing, Inventory, Delivery & Lifecycle Information:

[Amphenol:](#)

[MDPFTV6AZN](#) [MDPFTV6BG](#) [MDPFTV6BN](#) [MDPFTV6BZN](#) [MDPFTV6AG](#) [MDPFTV6AN](#)