



har-flexicon 2.54 PCB print terminal block, horizontal



General information

Design	PCB print terminal block, horizontal	
No. of contacts	2-12 pole	
Contact pitch	2,54 mm	
Test voltage	2,5 kV	
Rated voltage	160 V	overvoltage category III / pollution degree 2
Contact resistance	max. 20mOhm	
Insulation resistance	min. 10 ⁹ Ohm	
Working current	8,4 A at 70°C (tested with AWG20, see derating diagram)	
Temperature range	-40°C ... +125°C	
Termination technology	Push-In spring cage	
Reflow processing temperature	20s at 255°C	
Clearance & creepage distance	Clearance: 1,5 mm	Creepage: 1,6 mm
Hot plugging	No	
Mechanical Shock IEC 61373 (05/10)	5g/ 30 ms, 3 shocks/axis and each direction, no contact disturbance >= 1 µs	
Random Vibration IEC 61373 (05/10)	Class 1 cat B, ASD 0.964 (m/s ²)/Hz, RMS 5.72 m/s ² , 3x5h, no contact disturbance >= 1 µs	
Vibration	5-150 Hz, 0.35 mm, 5 g, 2 h each axis	
RoHS - compliant	Yes	
UL file	E 102079	

Insulator material

Material	LCP (liquid crystalline polymer, glass fiber reinforcement 30%)
Color	black, white
UL classification	UL 94-V0
Material group acc. IEC 60664-1	IIIa (175 < CTI < 400)
NFF classification	-

Contact material

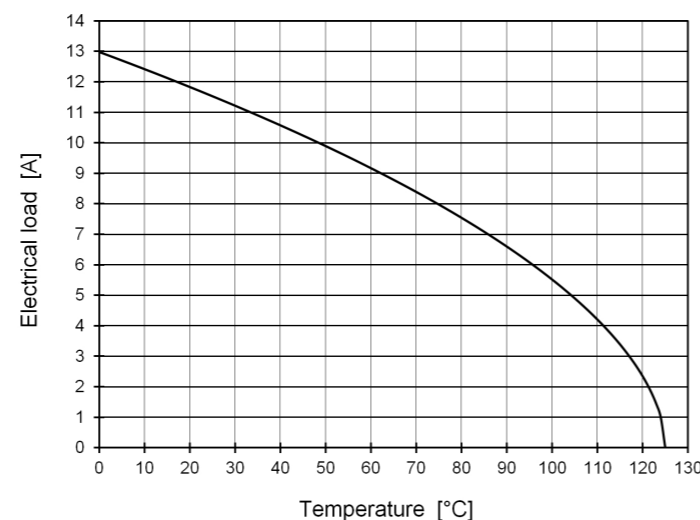
Contact material	Copper alloy
Plating termination zone	Sn
Plating contact zone	Sn

Derating diagram acc. to IEC 60512-5-2 (Current carrying capacity)

The current carrying capacity is limited by maximum temperature of materials for inserts and contacts including terminals.

The current capacity curve is valid for continuous, non interrupted current loaded contacts of connectors when simultaneous power on all contacts is given, without exceeding the maximum temperature.

Control and test procedures according to DIN IEC 60512-5-2



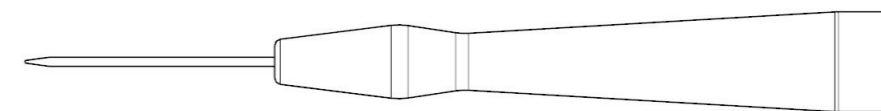
tested with AWG20

Connection data

Conductor cross section solid min./max.	0.14mm ² / 0.5mm ²
Conductor cross section stranded min./max.	0.2mm ² / 0.5mm ²
Conductor cross section stranded, with ferrule, min./max.	0.25mm ² / 0.34mm ²
Minimum AWG	26
Maximum AWG	20
Stripping length	6 mm
Reconnection	10 times (only with same or larger cross section)

Recommended tools

part number	14990000001
-------------	-------------



Coplanarity of contacts

All connectors are tested for coplanarity of contacts and are in the range of 2-pole to 12-pole: 0,1mm max.

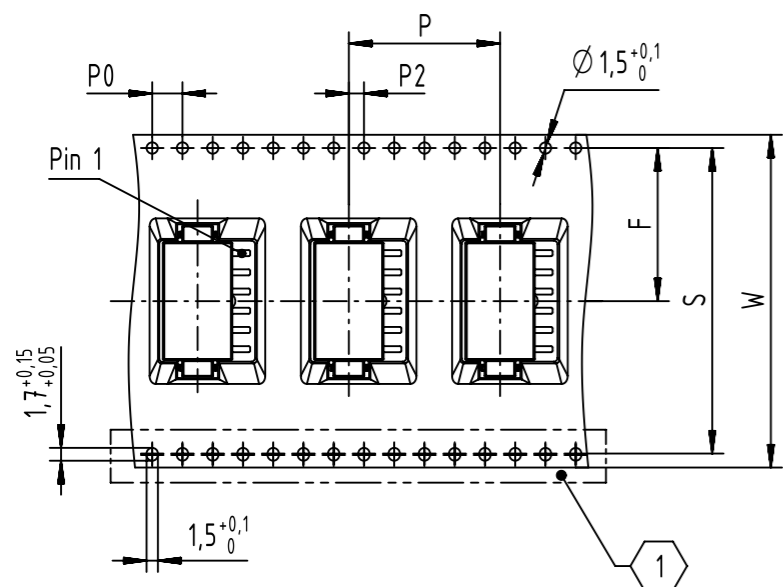
	All Dimensions in mm Original Size DIN A3	Scale 1:1	Free size tol.	Ref. Sub.
	All rights reserved Department EC PD - CN	Created by ZHUANGJ	Inspected by LUOK	Standardisation HOFFMANN
HARTING Electronics GmbH D-32339 Espelkamp	Title har-flexicon 2.54, print terminal block, horizontal			Doc-Key / ECM-Nr. 100550629/UGD/001/G 500000135281
	Type DS	Number 14017301601	Date 2018-05-17	State Final Release
				Rev. G Page 1/2



har-flexicon 2.54 PCB print terminal block, horizontal



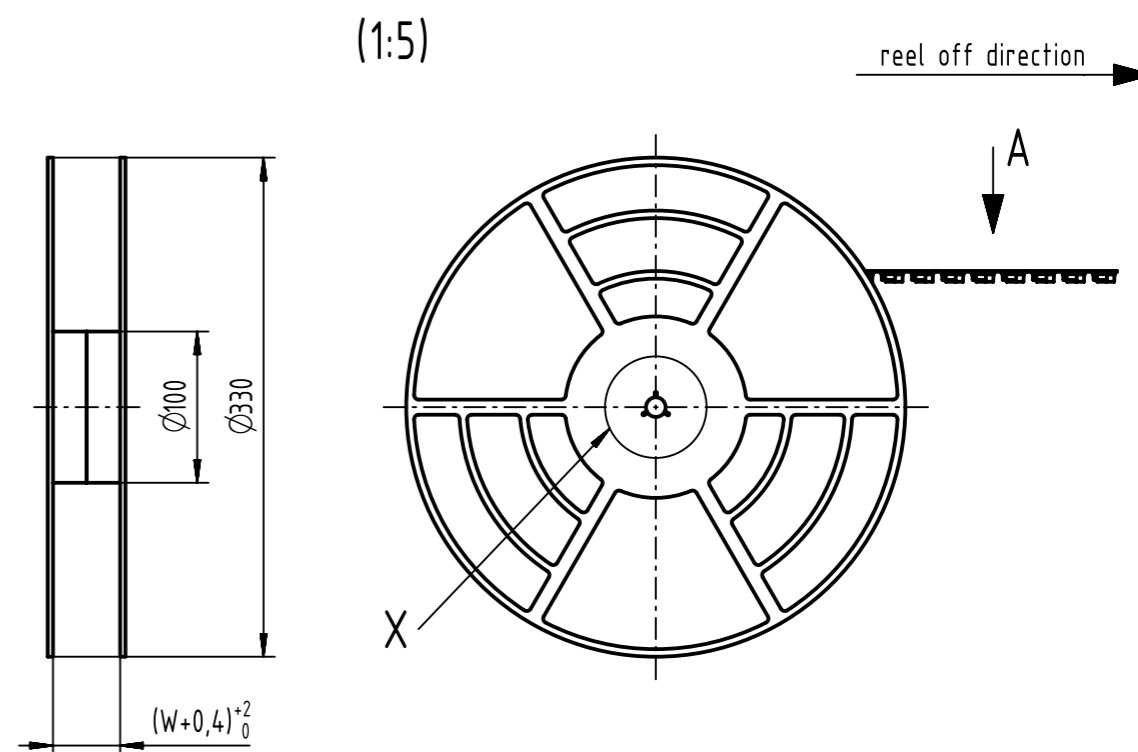
packaging & tape layout



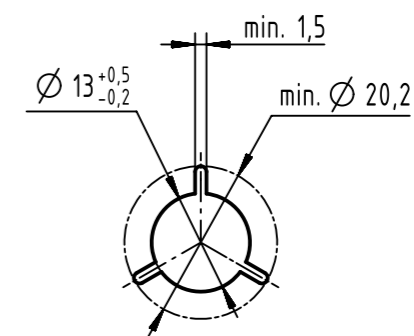
pole	W [mm]	F [mm]	S [mm]	P2 [mm]	P [mm]	P0 [mm]
2	24,0 ^{+0,3} _{-0,1}	11,5 ± 0,1		2,0 ± 0,1	20,0 ± 0,1	4,0 ± 0,1
3						
4	32,0 ± 0,3	14,2 ± 0,1	28,4 ± 0,1	2,0 ± 0,1	20,0 ± 0,1	4,0 ± 0,1
5						
6						
7						
8	44,0 ± 0,3	20,2 ± 0,1	40,4 ± 0,1	2,0 ± 0,15	20,0 ± 0,1	4,0 ± 0,1
9						
10						
11	56,0 ± 0,3	26,2 ± 0,1	52,4 ± 0,1	2,0 ± 0,15	20,0 ± 0,1	4,0 ± 0,1
12						

1 no double sprocket holes for 2- and 3-pole numbers

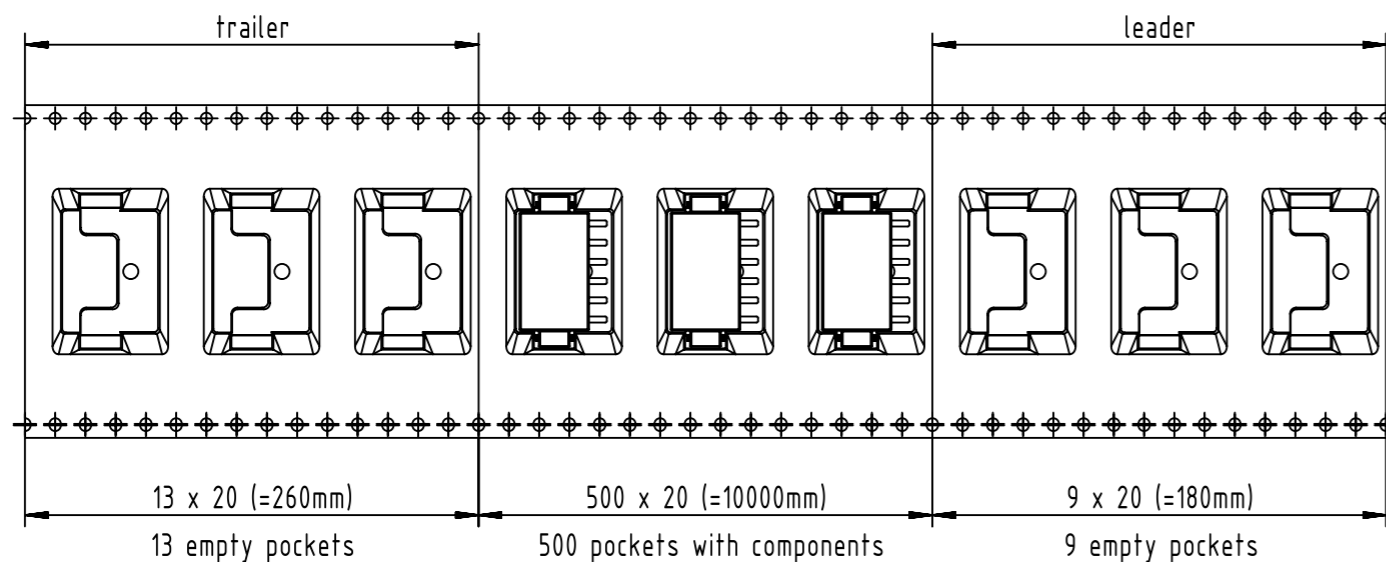
Reel dimensions



X (1:1)



A



Packaging	Index	
	black	white
tape and reel with 500 pcs per reel	000	160
tape with 1 pcs	333	334

part-number	1401 XX 131 YY XXX
-------------	--------------------

02 with guiding pins
10 w/o guiding pins

	All rights reserved	Created by ZHUANGJ	Inspected by LUOK	Standardisation HOFFMANN	Date 2018-05-17	State Final Release
	Department EC PD - CN	Title har-flexicon 2.54, print terminal block, horizontal		Doc-Key / ECM-Nr. 100550629/UGD/001/G 500000135281		
HARTING Electronics GmbH D-32339 Espelkamp		Type DS	Number 14017301601		Rev. G	Page 2/2

Mouser Electronics

Authorized Distributor

Click to View Pricing, Inventory, Delivery & Lifecycle Information:

HARTING:

[14010613102000](#) [14010713102000](#) [14010413102000](#) [14011113102000](#) [14010513102000](#) [14010813102000](#)
[14010913102000](#) [14011213102000](#) [14010213102000](#) [14010313102000](#) [14011013102000](#) [14010313110160](#)
[14010213110160](#) [14010313102160](#) [14010213102160](#)