

Customer Information Sheet

DRAWING No.: M50-491XX45X

SHEET 3 OF 4

IF IN DOUBT - ASK

©

NOT TO SCALE

THIRD ANGLE PROJECTION

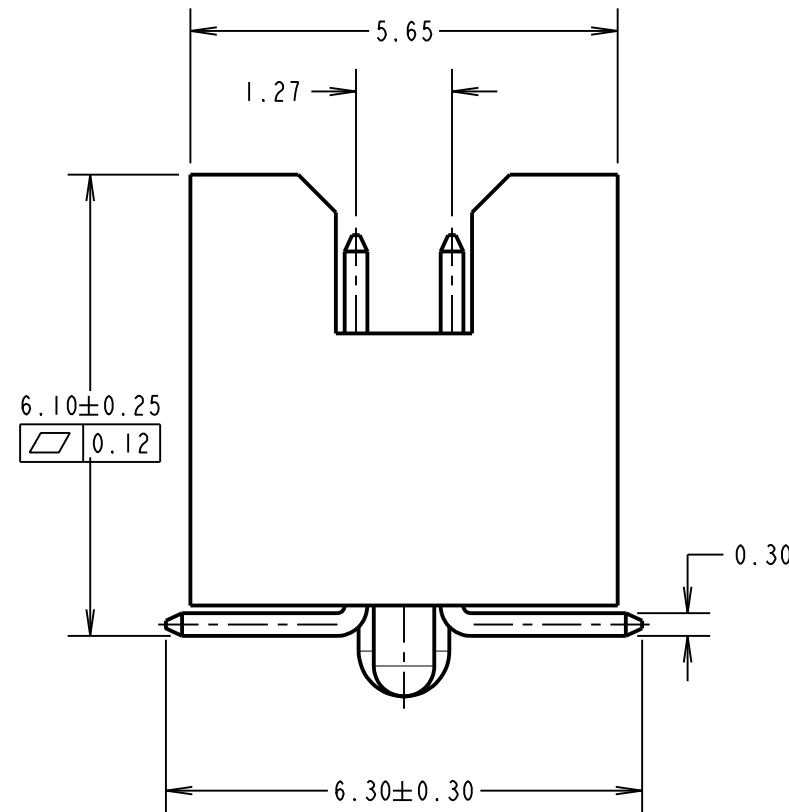
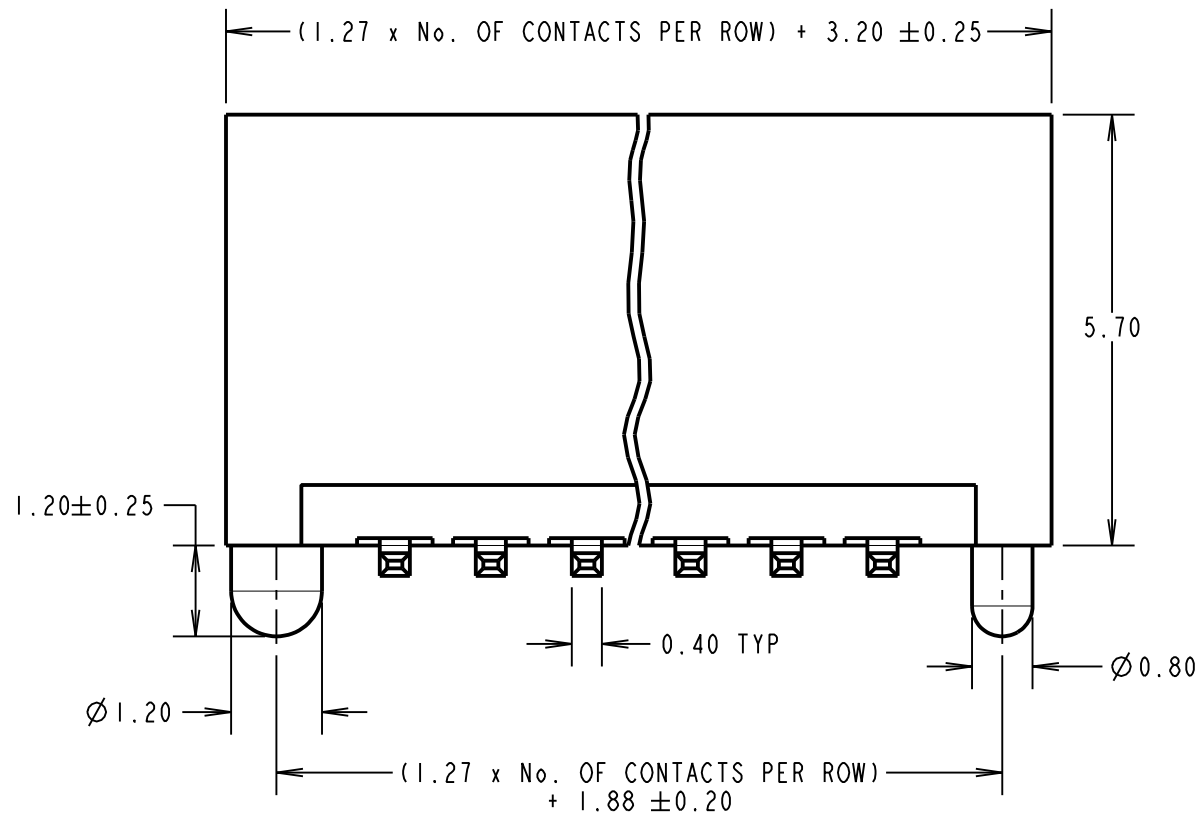
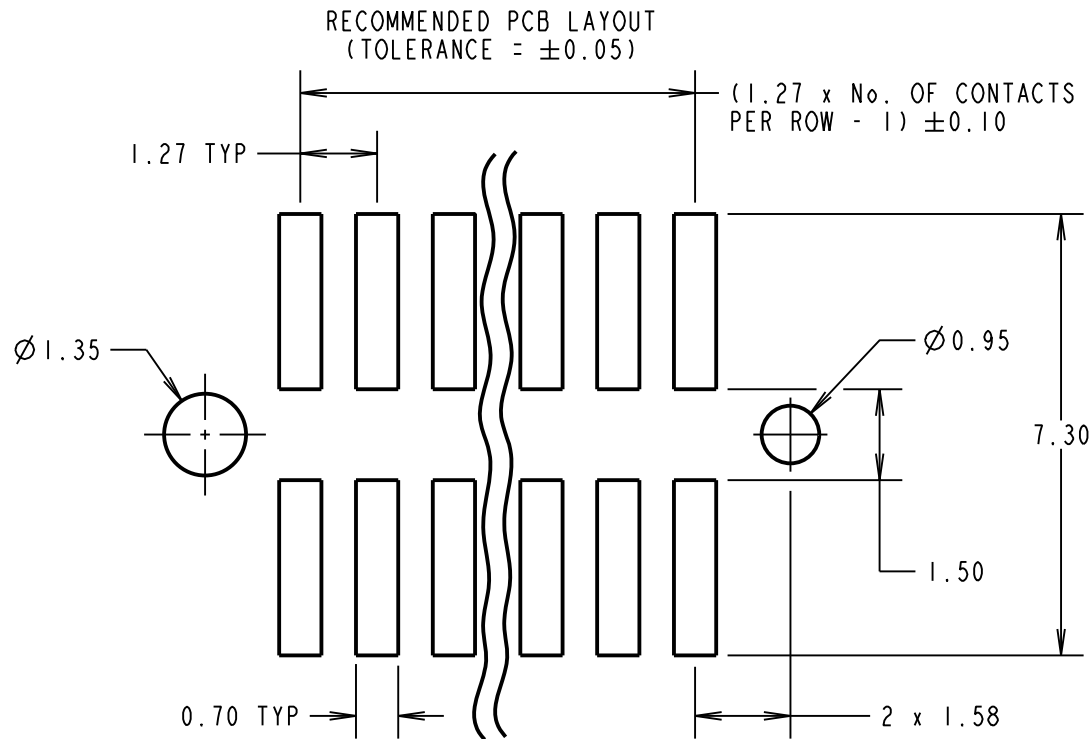
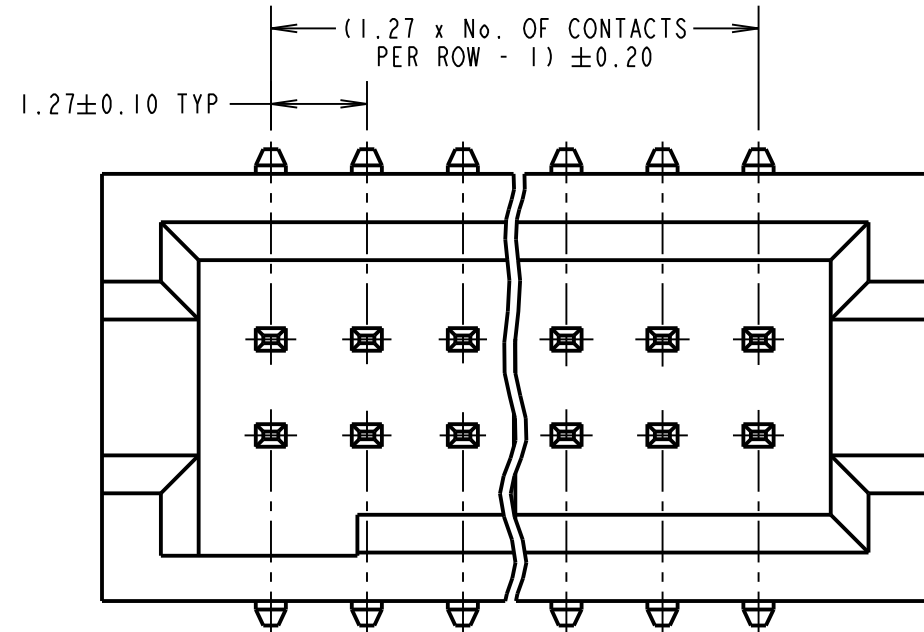
ALL DIMENSIONS IN mm

NOTES:

- FOR COMPLETE SPECIFICATION, SEE COMPONENT SPECIFICATION C029XX (LATEST ISSUE)
- ALL TOLERANCES ARE ± 0.15 UNLESS OTHERWISE STATED.
- FOR TAPE AND REEL DETAILS, SEE SHEET 4.

SPECIFICATIONS:

MATERIAL:
 MOULDING = LCP UL94V-0, BLACK
 CONTACT = PHOSPHOR BRONZE
FINISH:
 0.012 μ MIN GOLD OVER 1.27-2.54 μ NICKEL
ELECTRICAL:
 CURRENT RATING = 1A
 VOLTAGE PROOF = 300V AC FOR ONE MINUTE
 CONTACT RESISTANCE = 20m Ω MAX
 INSULATION RESISTANCE = 1,000M Ω MIN
MECHANICAL:
 DURABILITY = 100 CYCLES MIN
ENVIRONMENTAL:
 OPERATING TEMPERATURE = -40°C TO +105°C
PACKING:
 TUBE
 FOR COMPLETE SPECIFICATION, SEE COMPONENT SPECIFICATION C029XX (LATEST ISSUE)



ORDER CODE: **M50-491XX45X**
 No. OF CONTACTS PER ROW: _____
 05 TO 08, 10, 12, 15, 20 & 25
 PACKING: _____
 BLANK = TUBE (SEE SHEET 1)
 R = TAPE AND REEL

MSP	2	04.08.16	13565
NAME	ISS.	DATE	C/NOTE
APPROVED: M.PERREN			
CHECKED: S.BENNETT			
DRAWN: M.PERREN			
CUSTOMER REF.:			
ASSEMBLY DRG:			

HARWIN
 www.harwin.com
 technical@harwin.com

THIS DRAWING AND ANY INFORMATION OR DESCRIPTIVE MATTER SET OUT HEREON ARE CONFIDENTIAL AND COPYRIGHT PROPERTY OF THE HARWIN GROUP AND MUST NOT BE DISCLOSED, LOANED, COPIED OR USED FOR MANUFACTURING, TENDERING OR FOR ANY OTHER PURPOSE WITHOUT THEIR WRITTEN PERMISSION.

TOLERANCES
 X = ± 1 mm
 X.X = ± 0.50 mm
 X.XX = ± 0.10 mm
 X.XXX = ± 0.01 mm
 ANGLES = $\pm 5^\circ$
 UNLESS STATED

MATERIAL:
 SEE ABOVE
FINISH: SEE ABOVE
S/AREA: mm²

TITLE:
 1.27mm PITCH DIL SMT PIN HEADER ASSEMBLY WITH PEGS
DRAWING NUMBER:
M50-491XX45X
 SHT 3 OF 4

Customer Information Sheet

DRAWING No.: M50-491XX45X

SHEET 4 OF 4

IF IN DOUBT - ASK

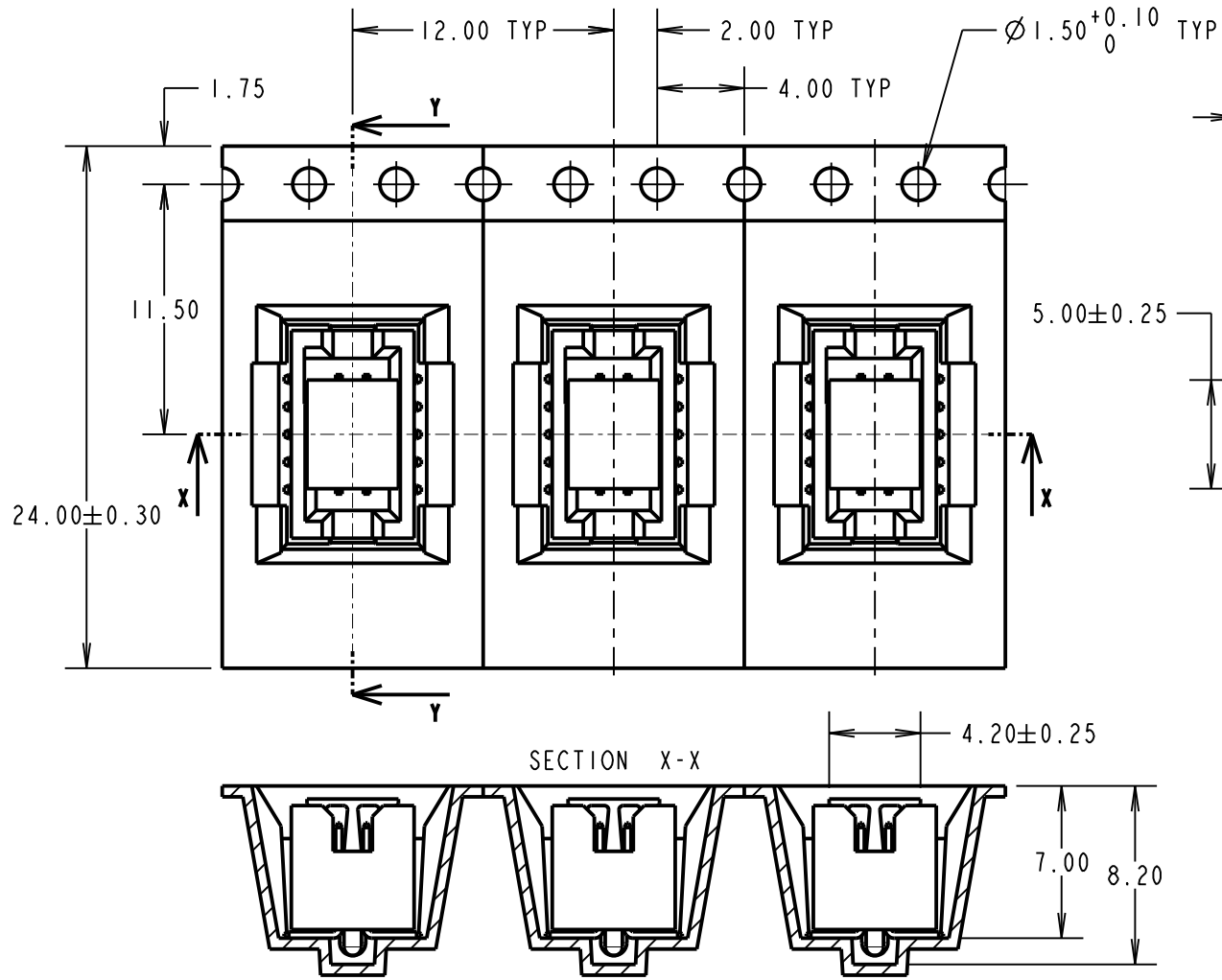
©

NOT TO SCALE

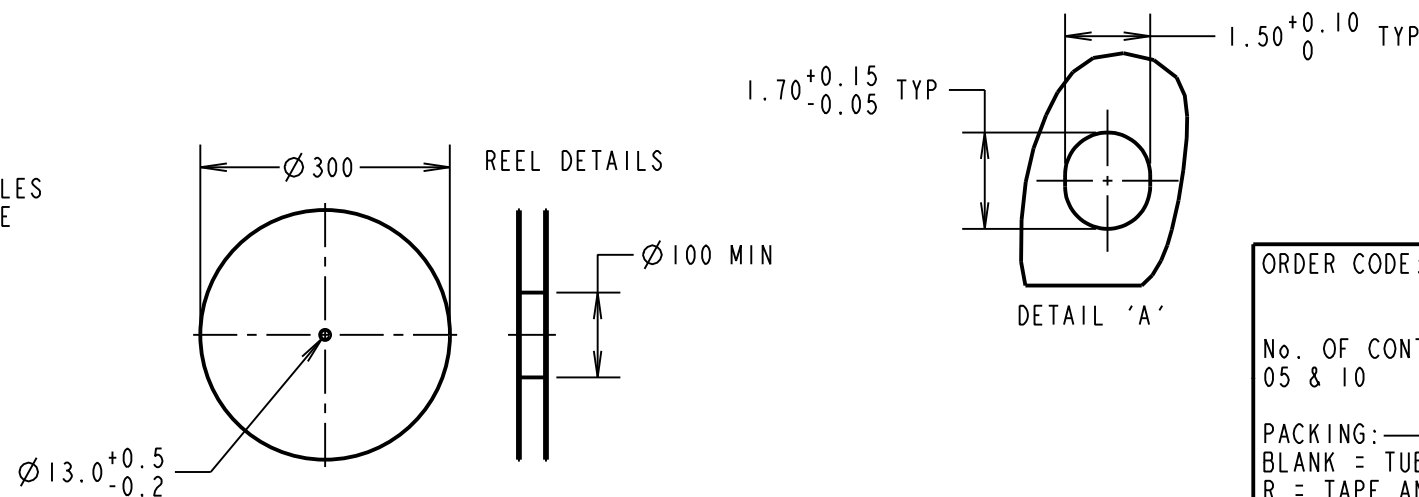
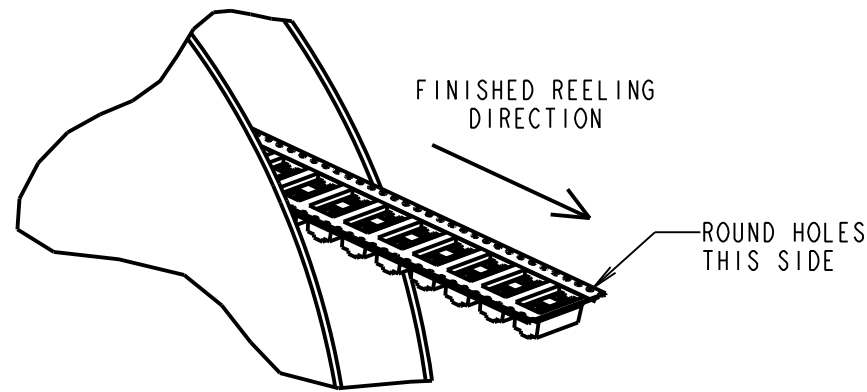
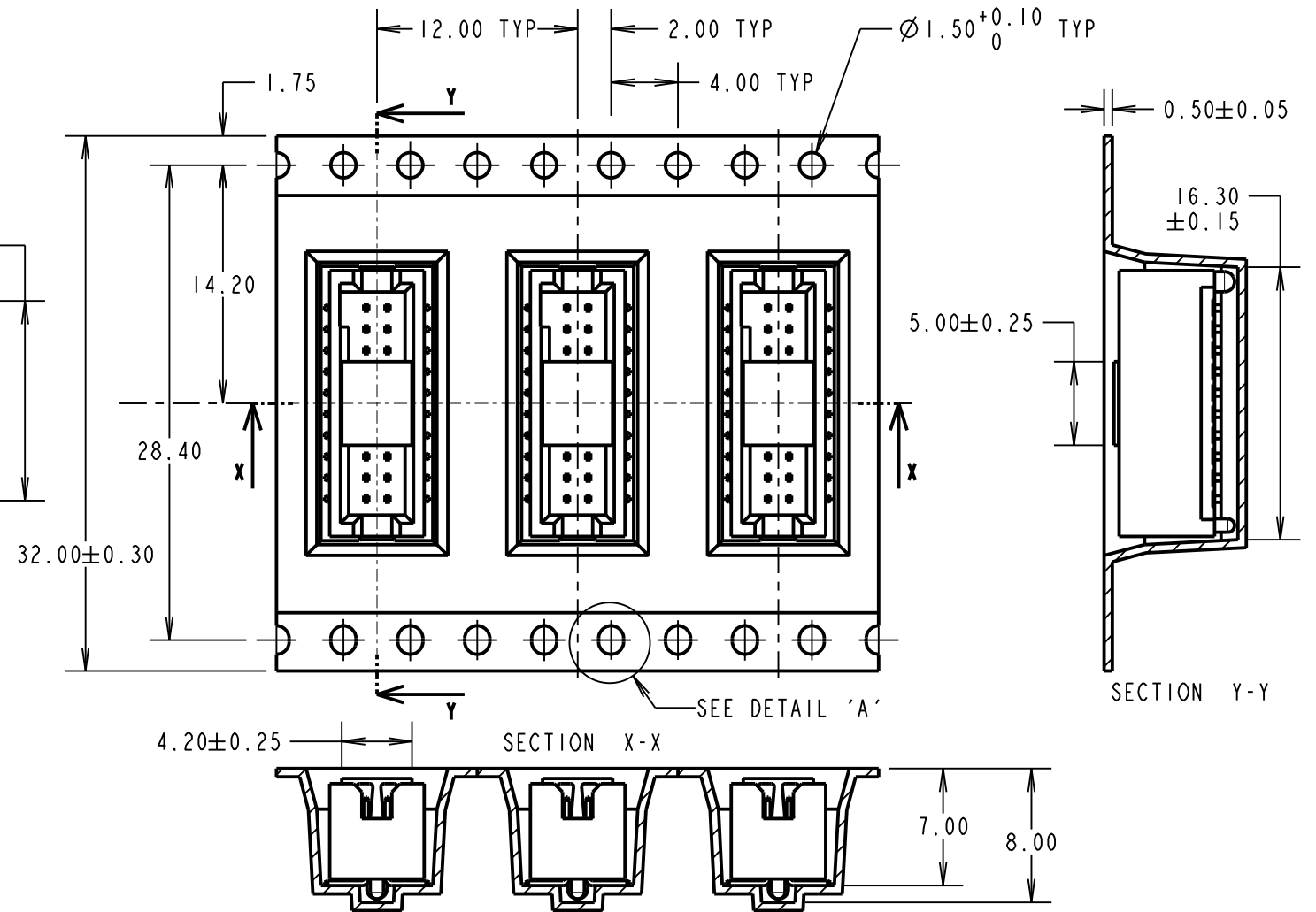
THIRD ANGLE PROJECTION

ALL DIMENSIONS IN mm

TAPE DETAILS FOR 05 WAY ONLY



TAPE DETAILS FOR 10 WAY ONLY



NOTES:

- PRODUCT IS TAPE AND REELED IN GENERAL ACCORDANCE WITH EIA-481 (ELECTRONIC INDUSTRIES ASSOCIATION).
- REEL QUANTITIES:
05 CONTACTS PER ROW = 600
10 CONTACTS PER ROW = 700.
- FOR CONNECTOR DETAILS AND SPECIFICATIONS, SEE SHEET 3.

ORDER CODE: **M50-491XX45X**

No. OF CONTACTS PER ROW: _____
05 & 10

PACKING: _____
BLANK = TUBE (SEE SHEET 1)
R = TAPE AND REEL

MSP	2	04.08.16	13565
NAME	ISS.	DATE	C/NOTE
APPROVED: M.PERREN			
CHECKED: S.BENNETT			
DRAWN: M.PERREN			
CUSTOMER REF.:			
ASSEMBLY DRG:			

HARWIN

www.harwin.com
technical@harwin.com

THIS DRAWING AND ANY INFORMATION OR DESCRIPTIVE MATTER SET OUT HEREON ARE CONFIDENTIAL AND COPYRIGHT PROPERTY OF THE HARWIN GROUP AND MUST NOT BE DISCLOSED, LOANED, COPIED OR USED FOR MANUFACTURING, TENDERING OR FOR ANY OTHER PURPOSE WITHOUT THEIR WRITTEN PERMISSION.

TOLERANCES
X. = ±1mm
X.X = ±0.50mm
X.XX = ±0.10mm
X.XXX = ±0.01mm
ANGLES = ±5°
UNLESS STATED

MATERIAL:
SEE ABOVE

FINISH: SEE ABOVE
S/AREA: mm²

TITLE:
1.27mm PITCH DIL SMT PIN
HEADER ASSEMBLY WITH PEGS

DRAWING NUMBER:
M50-491XX45X

SHT
4
OF
4

Mouser Electronics

Authorized Distributor

Click to View Pricing, Inventory, Delivery & Lifecycle Information:

[Harwin:](#)

[M50-4910545](#) [M50-4910545R](#) [M50-4910645](#) [M50-4910745](#) [M50-4910845](#) [M50-4911045](#) [M50-4911045R](#) [M50-4911245](#) [M50-4911545](#) [M50-4912045](#) [M50-4912545](#)