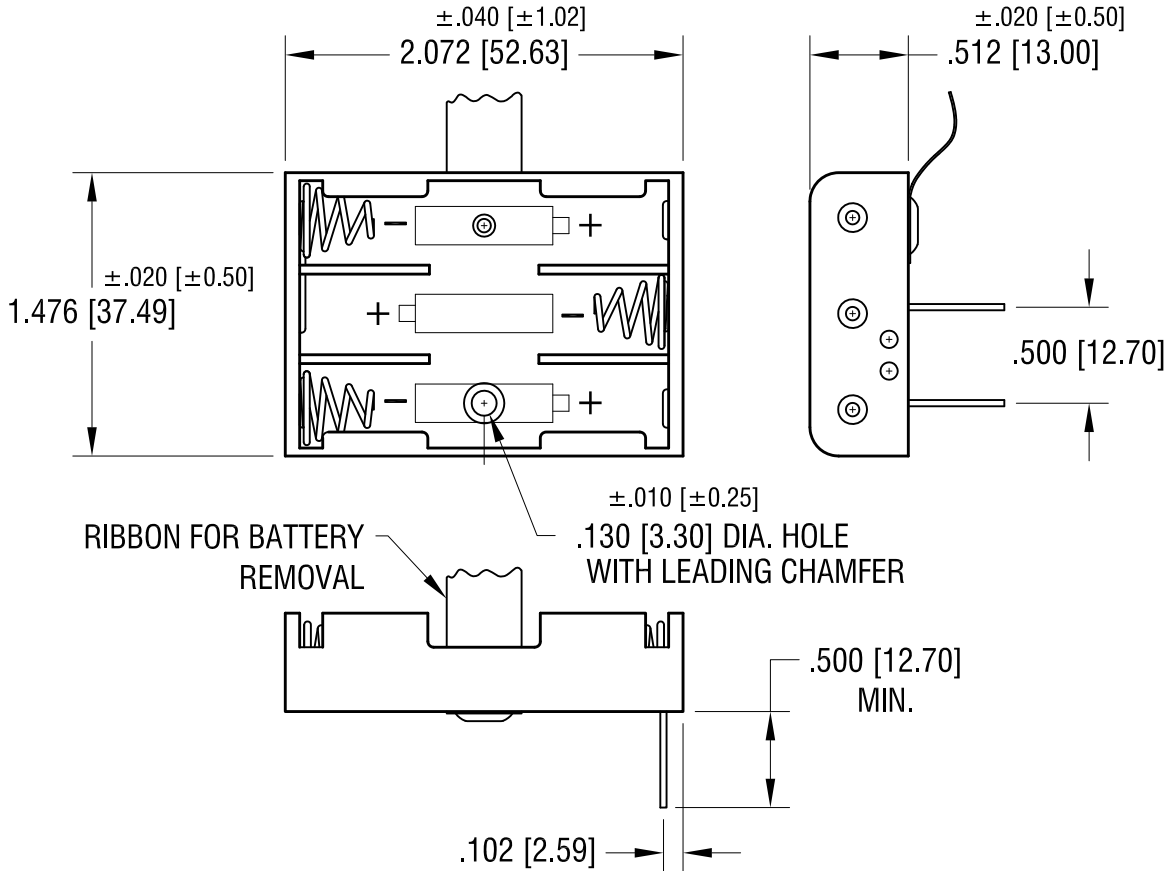
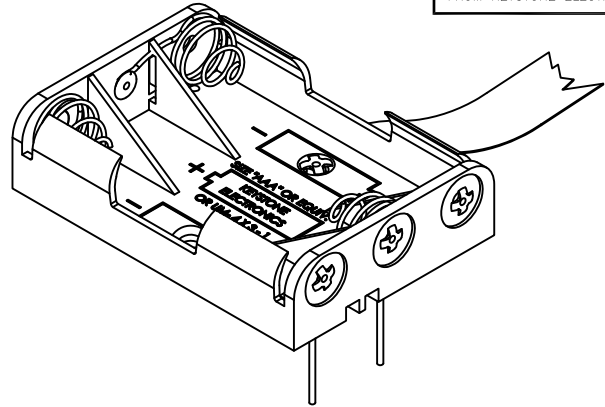
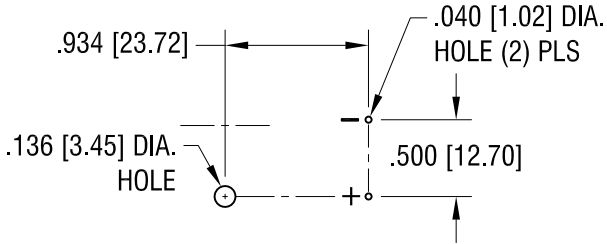


THIS DOCUMENT IS THE PROPERTY OF KEYSTONE ELECTRONICS CORP. AND SHALL NOT BE REPRODUCED, DISTRIBUTED OR USED AS A BASIS FOR MANUFACTURE WITHOUT PRIOR WRITTEN PERMISSION FROM KEYSTONE ELECTRONICS CORP.

MOUNTING DETAIL



NOTE:

- 1. HOLDER: MAT'L: POLYPROPYLENE
- SPRING: MAT'L: MUSIC WIRE, .024 [0.60] DIA.
- PC TERMINALS: MAT'L: BRASS, .032 [0.81] DIA.
- RIBBON: MAT'L: NYLON, RED

| | | |
|----------|--------------------------|------|
| 3.28.12 | CHANGE AS PER ECN 09-084 | B |
| 12.17.07 | CHANGE AS PER ECN 07-087 | A |
| DATE | DESCRIPTION | REV. |

| | | | |
|---|-----------------|----------------------------|---------------|
| KEYSTONE ELECTRONICS CORP. | | | |
| www.keyelco.com • ASTORIA, N.Y. 11105-2017 • Tel (718) 956-8900 | | | |
| PART NAME | | | |
| PC BATTERY HOLDER (3) 'AAA' W/ RIBBON | | | |
| MATERIAL | | | |
| AS NOTED | | | |
| FINISH | | DRN BY | DATE |
| NICKEL PLATE | | BOONE | 12.1.03 |
| | | APP'D | SCALE |
| | | LN | 1X |
| TOLERANCES | INCH [MM] | CODE | DWG NO. |
| DECIMAL | ± .015 [± 0.38] | C/M | 2479RB |
| ANGULAR | ± 1° | UNLESS OTHERWISE SPECIFIED | |

Mouser Electronics

Authorized Distributor

Click to View Pricing, Inventory, Delivery & Lifecycle Information:

[Keystone Electronics:](#)

[2479RB](#)