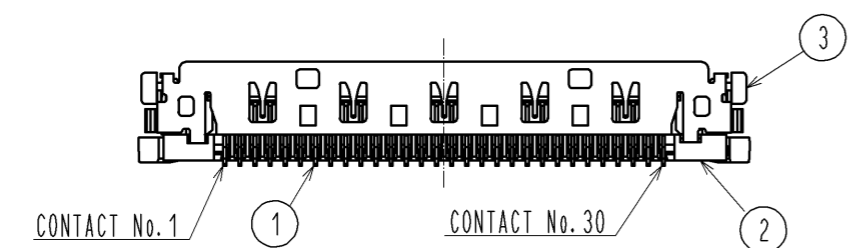
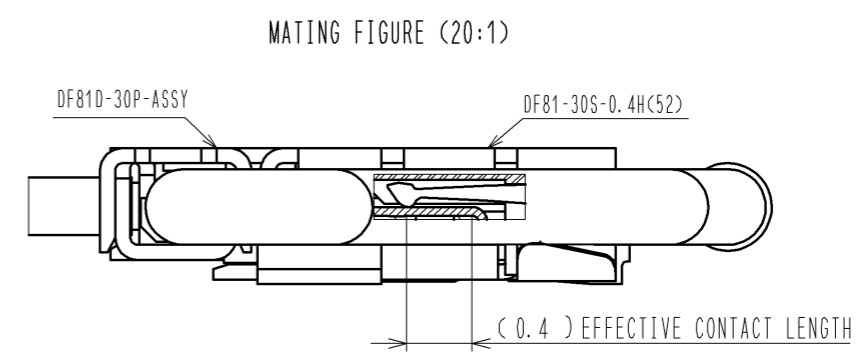
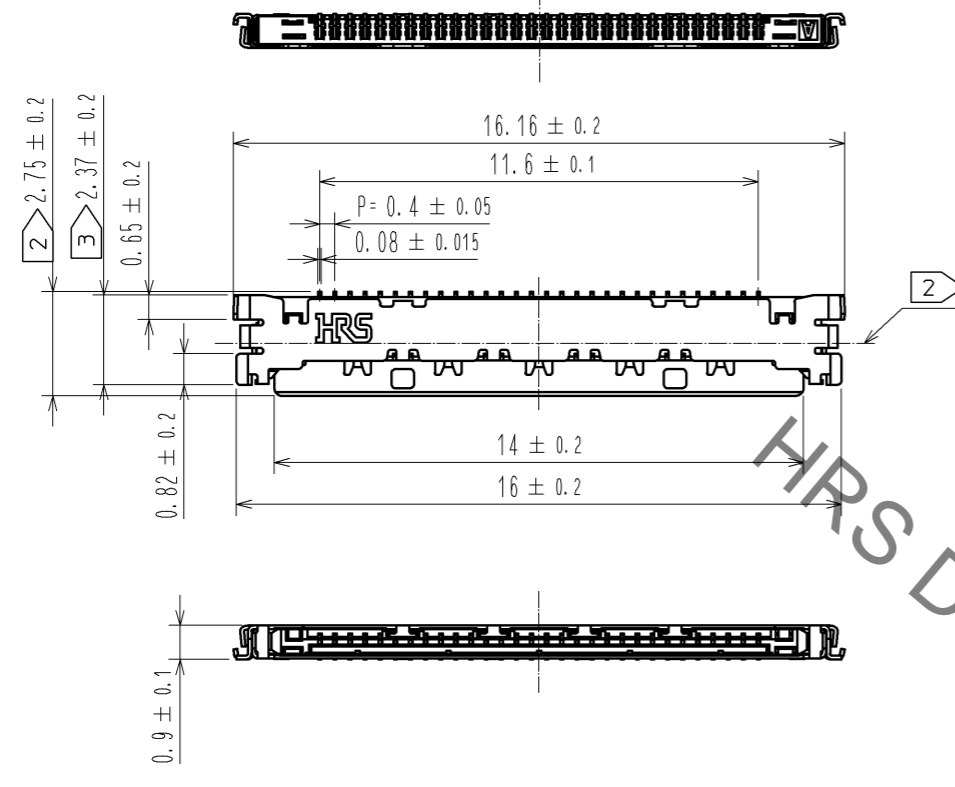
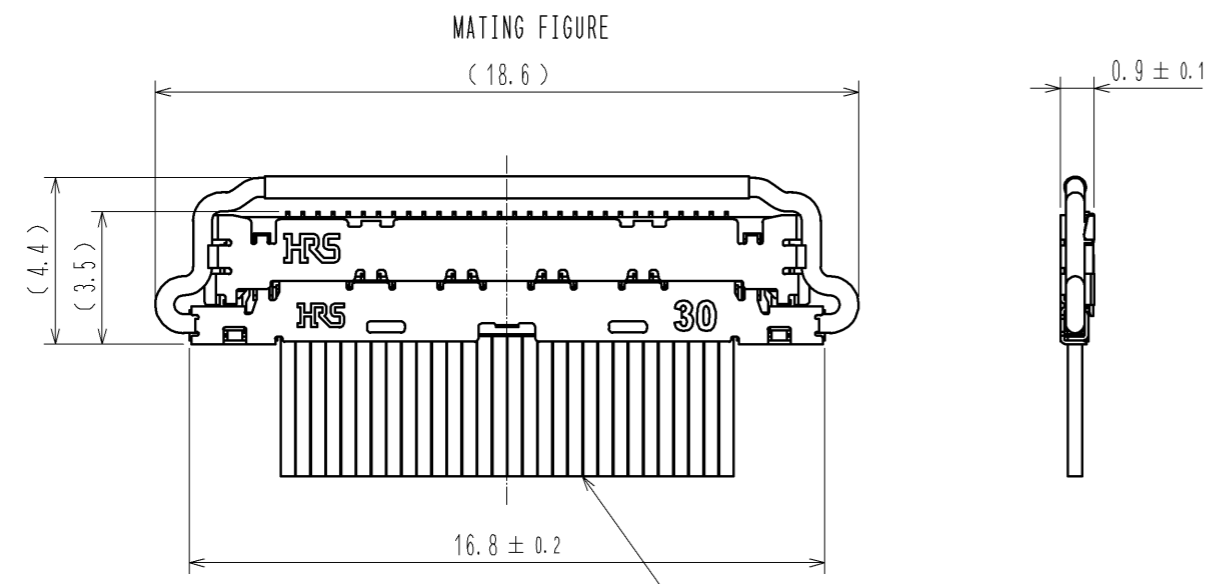


Jun.1.2021 Copyright 2021 HIROSE ELECTRIC CO., LTD. All Rights Reserved.  
In case of consideration for using Automotive equipment / device which demand high reliability, kindly contact our sales window correspondents.



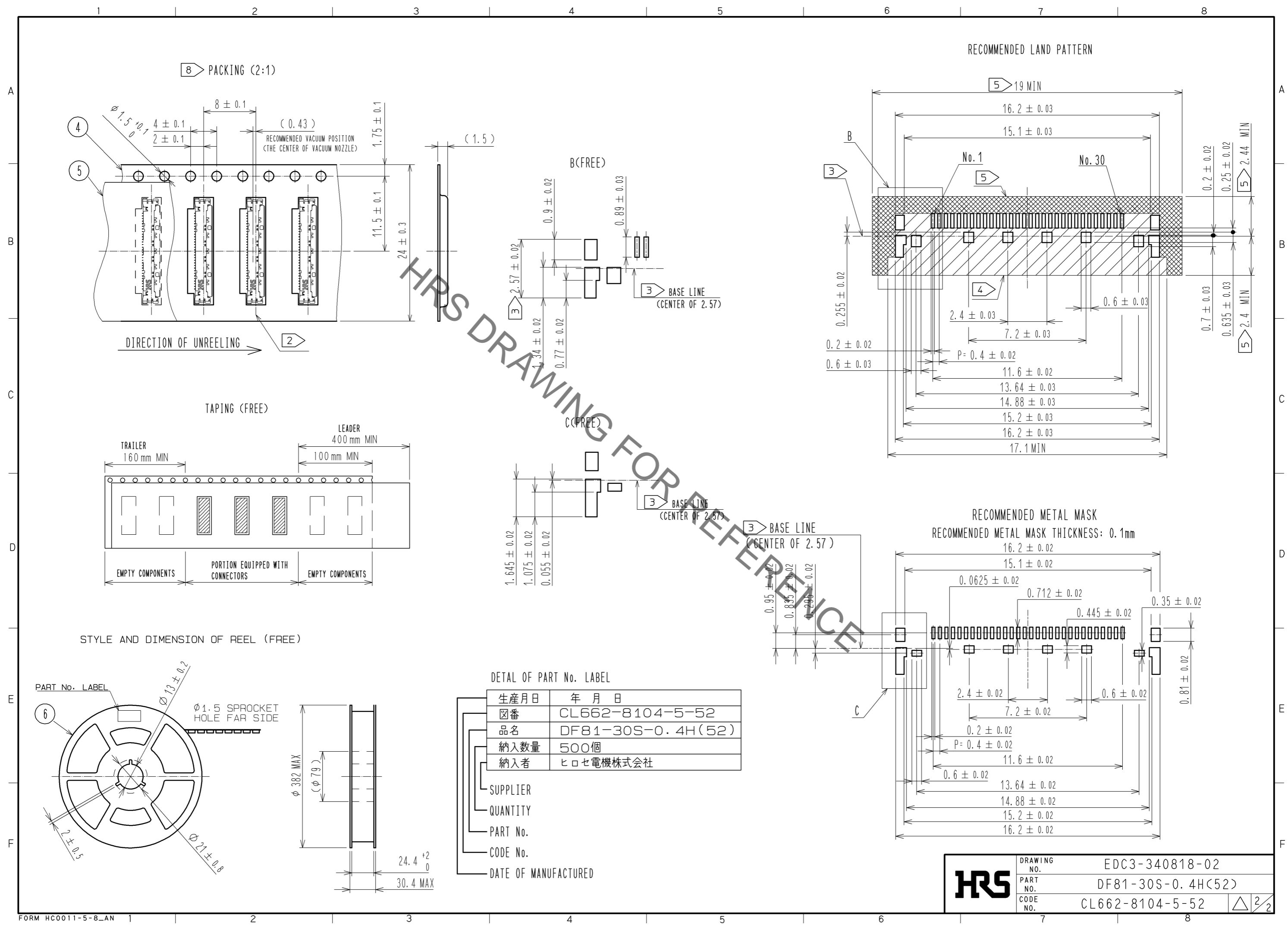
- NOTES
1. LEAD CO-PLANARITY SHALL BE 0.1mmMAX.
  2. DIRECTED CENTER LINE INDICATES THE CENTER OF 2.75±0.2 WHICH IS CONNECTOR DIMENSION. IT CORRESPONDS WITH THE CENTER LINE OF ENBOSSED POCKET.
  3. DIRECTED CENTER LINE INDICATES THE CENTER OF 2.57±0.02 WHICH IS RECOMMENDED LAND PATTERN DIMENSION. IT IS THE BASE LINE OF RECOMMENDED LAND PATTERN DIMENSION AND RECOMMENDED METAL MASK DIMENSION. IT CORRESPONDS WITH THE CENTER OF 2.37±0.2 WHICH IS CONNECTOR DIMENSION.
  4. CONDUCTIVE CIRCUIT ON THIS SURFACE REQUIRES THE COVERAGE WITH RESIST.
  5. IT INDICATES PROHIBITION AREA OF MOUNTING. IF PARTS WERE MOUNTED ON THIS AREA, THE LOCK OF CONNECTOR BECOMES DISABLED BECAUSE MOUNTED PARTS INTERFERE WITH THE LATCH OF PLUG.
  6. PER REEL : 500 COMPONENTS.
  7. THE DIMENSIONS IN PARENTHESES ARE FOR REFERENCE.
  8. REFER TO JIS 0806. (PACKING OF COMPONENTS FOR AUTO HANDRING)



MICRO COAXIAL CABLE AWG#36~AWG#46  
DISCRETE CABLE AWG#34~AWG#40

2	LCP	UL94V-0, BLACK	6	PS	BLACK			
1	PHOSPHOR BRONZE	CONTACT AREA : Au PLATING 0.1μm MIN. LEAD AREA : Au PLATING 0.05μm MIN. UNDER PLATING : Ni PLATING 1μm MIN.	5	POLYESTER	CLEAR			
			4	PS	CLEAR			
			3	SUS	CONTACT AREA : Au PLATING 0.05μm MIN. LEAD AREA : Au PLATING 0.05μm MIN. UNDER PLATING : Ni PLATING 0.2μm MIN.			
NO.	MATERIAL	FINISH , REMARKS	NO.	MATERIAL	FINISH , REMARKS			
UNITS	mm	SCALE	5 : 1	COUNT	DESCRIPTION OF REVISIONS	DESIGNED	CHECKED	DATE
<b>HRS</b> HIROSE ELECTRIC CO., LTD.		APPROVED : MH. YAMANE	13.11.26	DRAWING NO. EDC3-340818-02				
		CHECED : MH. TSUCHIDA	13.11.25	PART NO. DF81-30S-0.4H(52)				
		DESIGNED : AH. MIYAZAKI	13.11.12	CODE NO. CL662-8104-5-52				
		DRAWN : AH. MIYAZAKI	13.11.12					

Jun.1.2021 Copyright 2021 HIROSE ELECTRIC CO., LTD. All Rights Reserved.  
 In case of consideration for using Automotive equipment / device which demand high reliability, kindly contact our sales window correspondents.



# Mouser Electronics

Authorized Distributor

Click to View Pricing, Inventory, Delivery & Lifecycle Information:

[Hirose Electric:](#)

[DF81-30S-0.4H\(52\)](#)