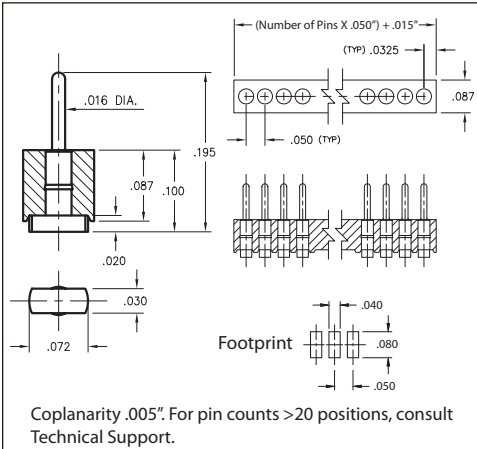
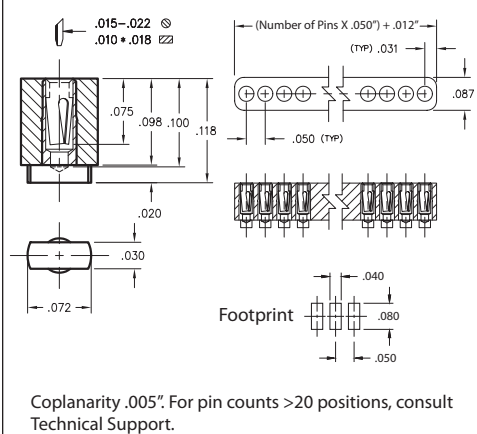


# INTERCONNECTS

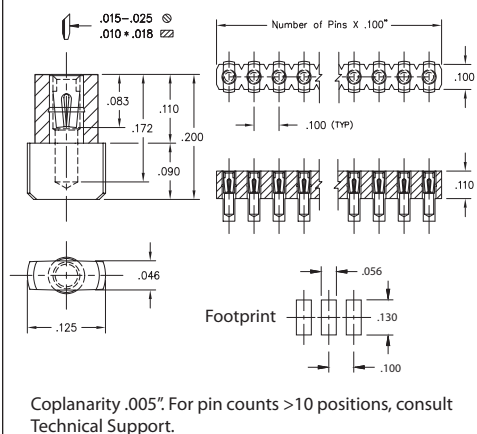
## SERIES 340 & 399 • .050" AND .100" GRID SURFACE MOUNT HEADERS & SOCKETS • SINGLE ROW STRIPS



**FIG. 1**



**FIG. 2**



**FIG. 3**

- Series 340 and 399 interconnects are single row headers & sockets having unique surface mount "block" terminals
- "Block" termination makes the interconnects "self standing". This also minimizes profile and reduces the footprint compared with traditional "gullwing" designs
- Series 399 is a matched pair of .050" pitch sockets and headers with a mated height of only .218"
- Series 340 is a .100" pitch SIP socket using a Hi-Rel, 4-finger BeCu #30 contact rated at 3 amps. See page 253 for details
- Insulators are high temperature thermoplastic, suitable for all soldering processes



### ORDERING INFORMATION

<b>FIG. 1</b>	<b>Series 399...310</b>	<b>Single Row .050" Grid Header</b>			
		399-10-0	-00-310000		
	Specify number of pins		02-50		
	<b>RoHS-2</b> 2011/65/EU	XX=Plating Code See Below		For Electrical, Mechanical & Environmental Data, See page 264	
	<b>SPECIFY PLATING CODE XX=</b>	10			
	Pin Plating	10 μ" Au			
<b>FIG. 2</b>	<b>Series 399...300</b>	<b>Single Row .050" Grid Socket</b>			
		399-XX-0	-21-300000		
	Specify number of pins		02-50		
	<b>RoHS-2</b> 2011/65/EU	XX=Plating Code See Below		For Electrical, Mechanical & Environmental Data, See page 264	
	<b>SPECIFY PLATING CODE XX=</b>		91	41	
	Sleeve (Pin)	200 μ" Sn/Pb		200 μ" Sn	
	Contact (Clip)	10 μ" Au		10 μ" Au	
<b>FIG. 3</b>	<b>Series 340...780</b>	<b>Single Row .100" Grid Socket</b>			
		340-XX-1	-30-780100		
	Specify number of pins		02-64		
	<b>RoHS-2</b> 2011/65/EU	XX=Plating Code See Below		For Electrical, Mechanical & Environmental Data, See page 264	
	<b>SPECIFY PLATING CODE XX=</b>			99	44
	Sleeve (Pin)	200 μ" Sn/Pb		200 μ" Sn	
	Contact (Clip)	100 μ" Sn/Pb		100 μ" Sn	

# Mouser Electronics

Authorized Distributor

Click to View Pricing, Inventory, Delivery & Lifecycle Information:

[Mill-Max:](#)

[399-10-016-00-310000](#) [399-40-050-00-310000](#) [399-41-050-21-300000](#) [399-10-050-00-310000](#) [399-91-050-21-300000](#) [399-41-017-21-300000](#)