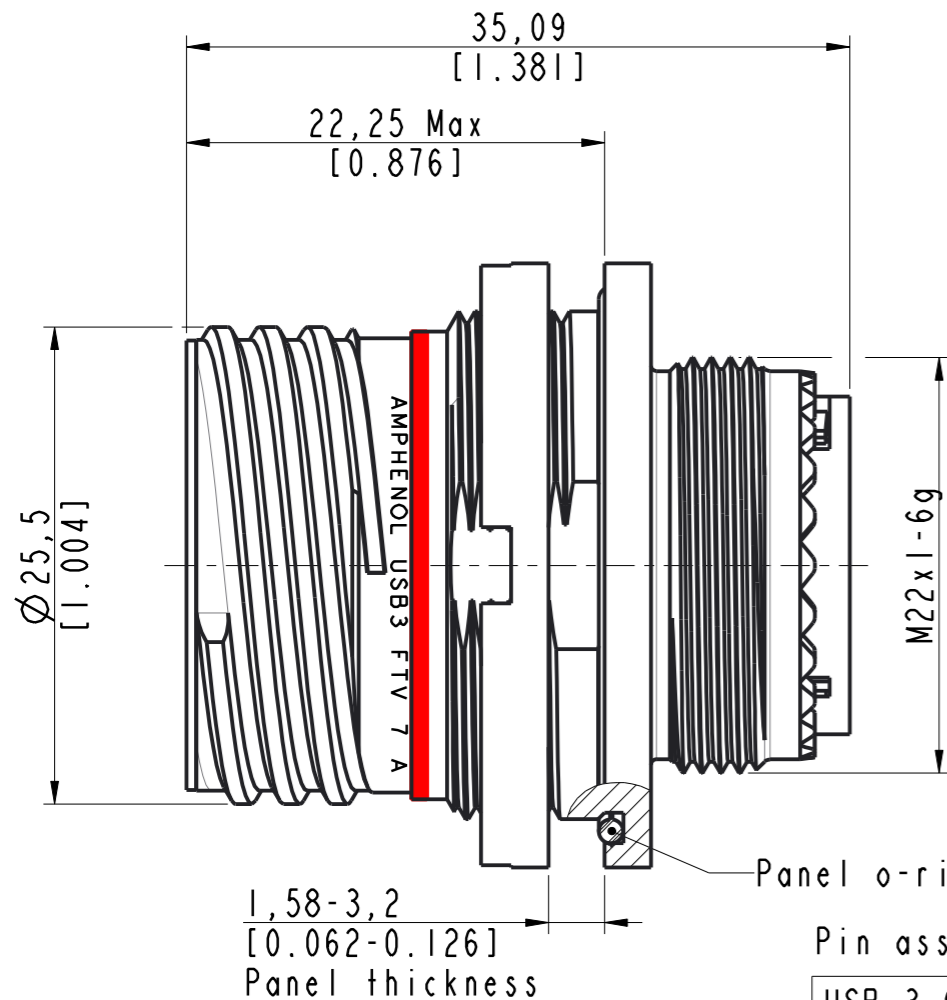
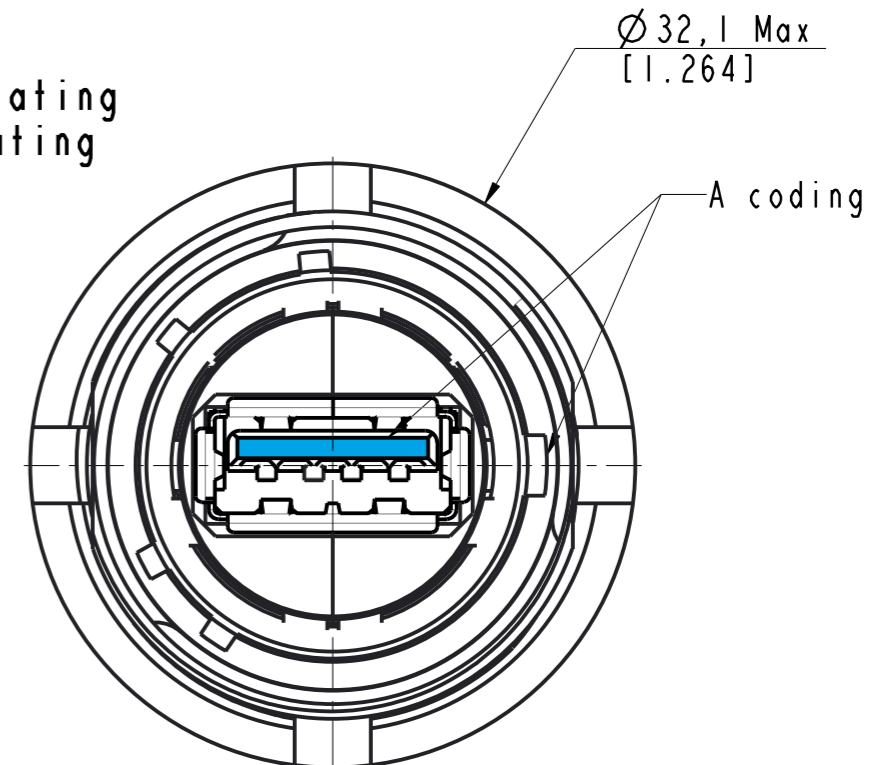


DANS LE BUT CONSTANT D'AMELIORER SES PRODUITS, Amphenol Socapex SE RESERVE LE DROIT D'EN MODIFIER TOUTE COTE OU CARACTERISTIQUE.  
IMP 036 A



Possible references:  
 USB3 FTV 7 A N F312 Nickel plating  
 USB3 FTV 7 A G F312 Olive drab cadmium plating  
 USB3 FTV 7 A ZN F312 Black zinc nickel plating

- ⚠ For PC to peripheral application use a "CROS" USB3 crossed cord set
- ⚠ For PC to PC application use a "STR" USB3 straight cord set



1,58-3,2  
[0.062-0.126]  
Panel thickness

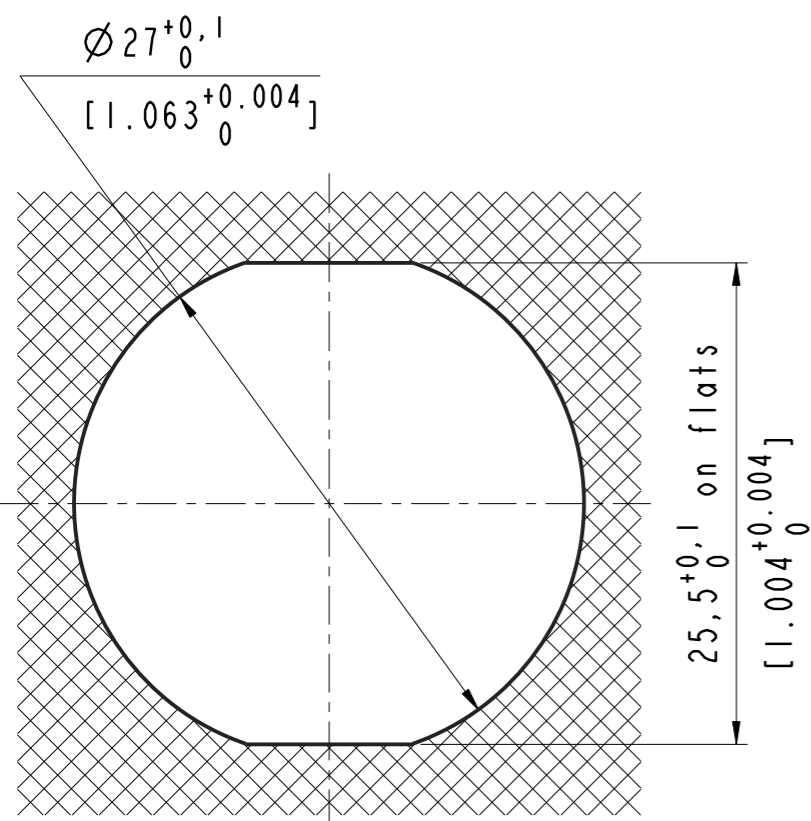
Panel o-ring is delivered with the receptacle

Pin assignments:

USB 3.0 Standard A front coupling side connector to USB 3.0 Standard A back side connector

Pin number	Signal name	Description	Sequence	Pin number	Signal name
1	VBUS	Power	Second	1	VBUS
2	D-	USB 2.0 differential pair	Third	2	D-
3	D+			3	D+
4	GND	Ground for power return	Second	4	GND
5	StdA_SSRX-	Superspeed receiver differential pair	Last	8	StdB_SSTX-
6	StdA_SSRX+			9	StdB_SSTX+
7	GND_DRAIN	Ground for signal return	Last	7	GND_DRAIN
8	StdA_SSTX-	Superspeed transmitter differential pair	Last	5	StdB_SSRX-
9	StdA_SSTX+			6	StdB_SSRX+
Shell	Shield	Connector metal shell	First	Shell	Shield

← Always crossed ←



Panel drilling

# USB3 FTV 7 A X F312

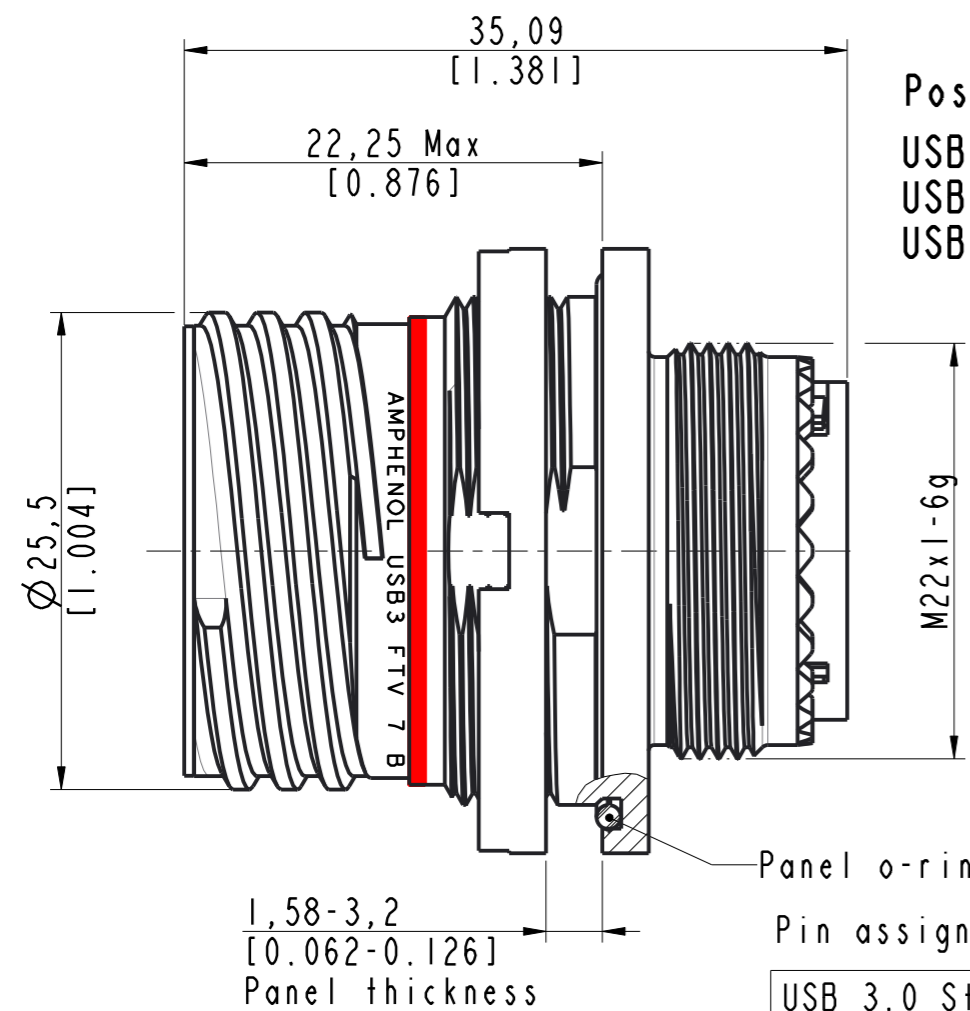
Reduced Flange

USB3.0 Standard A Receptacle

Customer Approval \_\_\_\_\_

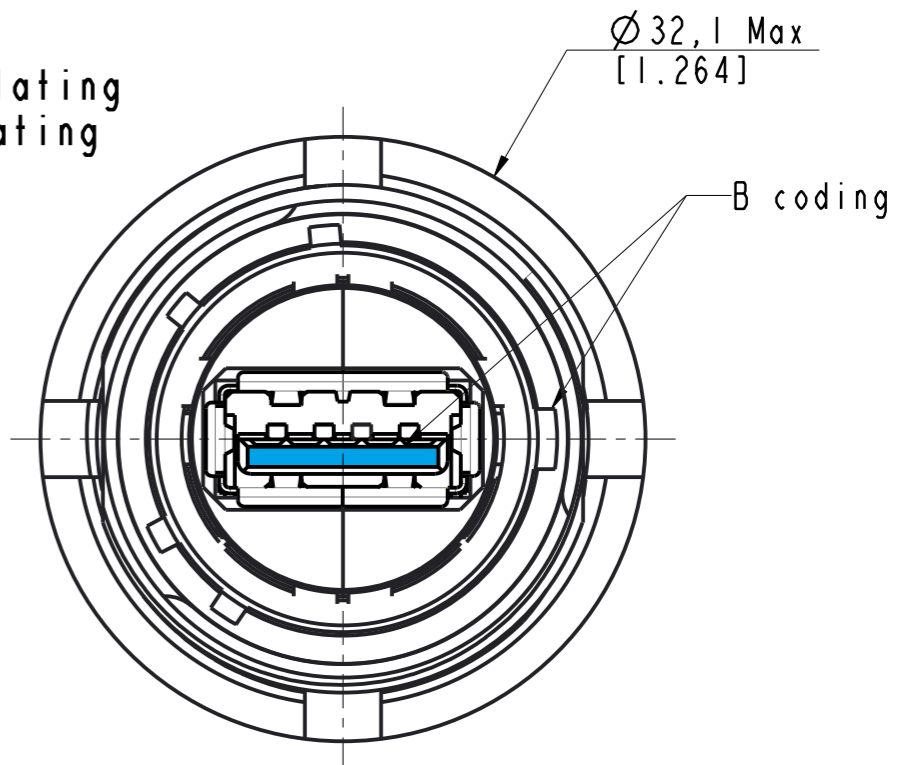
MODIFICATIONS	A	Plan original	ECHELLE	Amphenol Socapex BP 29 - 74311 THYEZ CEDEX	DESSIN: M.Peters	LE: 11/01/17
			2,5		TECHNIQUE: L.Guyomar	LE: 11/01/17
					A	
					191-PLC-742-00 1/2	

DANS LE BUT CONSTANT D'AMELIORER SES PRODUITS, Amphenol Socapex SE RESERVE LE DROIT D'EN MODIFIER TOUTE COTE OU CARACTERISTIQUE. IMP 036 A



Possible references:  
 USB3 FTV 7 B N F312 Nickel plating  
 USB3 FTV 7 B G F312 Olive drab cadmium plating  
 USB3 FTV 7 B ZN F312 Black zinc nickel plating

- ⚠ For PC to peripheral application use a "CROS" USB3 crossed cord set
- ⚠ For PC to PC application use a "STR" USB3 straight cord set



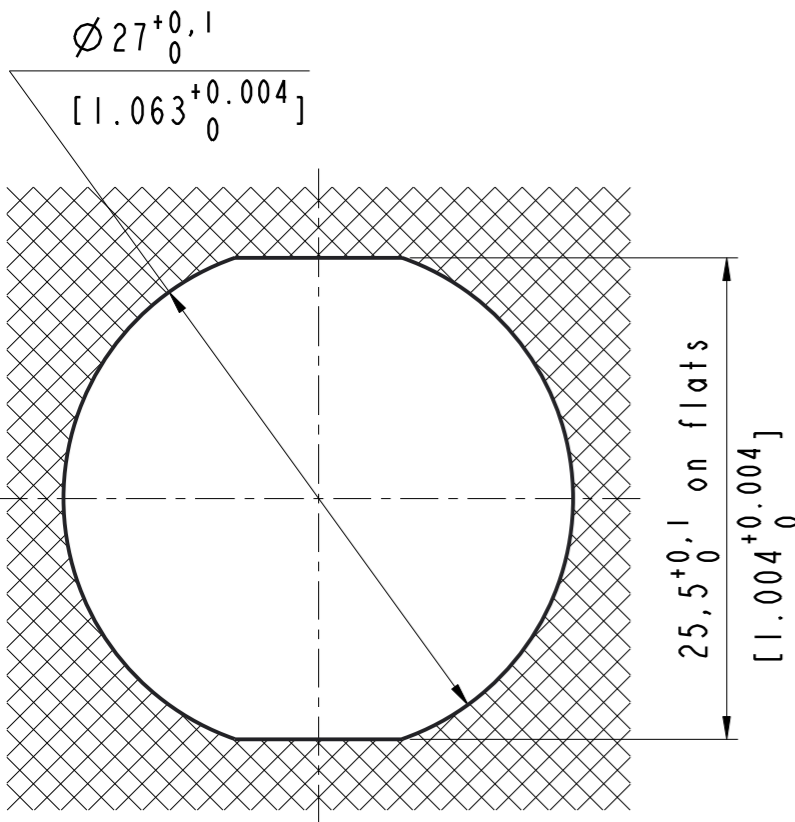
Panel o-ring is delivered with the receptacle

Pin assignments:

USB 3.0 Standard A front coupling side connector to USB 3.0 Standard A back side connector

Pin number	Signal name	Description	Sequence	Pin number	Signal name
1	VBUS	Power	Second	1	VBUS
2	D-	USB 2.0 differential pair	Third	2	D-
3	D+			3	D+
4	GND	Ground for power return	Second	4	GND
5	StdA_SSRX-	Superspeed receiver differential pair	Last	8	StdB_SSTX-
6	StdA_SSRX+			9	StdB_SSTX+
7	GND_DRAIN	Ground for signal return	Last	7	GND_DRAIN
8	StdA_SSTX-	Superspeed transmitter differential pair	Last	5	StdB_SSRX-
9	StdA_SSTX+			6	StdB_SSRX+
Shell	Shield	Connector metal shell	First	Shell	Shield

← Always crossed ←



Panel drilling

USB3 FTV 7 B X F312 Reduced Flange

USB3.0 Standard A Receptacle

Customer Approval \_\_\_\_\_

MODIFICATIONS	A	Plan original	ECHELLE
			2,5

Amphenol Socapex  
 BP 29 - 74311 THYEZ CEDEX

DESSIN: M.Peters	LE: 11/01/17
TECHNIQUE: L.Guyomar	LE: 11/01/17
A	
191-PLC-742-00	2/2

# Mouser Electronics

Authorized Distributor

Click to View Pricing, Inventory, Delivery & Lifecycle Information:

[Amphenol:](#)

[USB3FTV7ANF312](#) [USB3FTV7AZNF312](#) [USB3FTV7AGF312](#)