

# Customer Information Sheet

DRAWING No.: M50-363XX42X

IF IN DOUBT - ASK

©

NOT TO SCALE

THIRD ANGLE PROJECTION

ALL DIMENSIONS IN mm

**SPECIFICATION:**

**MATERIAL:**  
 MOULDING = PA9T, UL94V-0, BLACK  
 CONTACT = BRASS  
 FINISH = 0.76-1.52µm NICKEL ALL OVER,  
 0.012µm MIN GOLD ON CONTACT AREA,  
 2.54-5.08µm 100% TIN ON TAILS

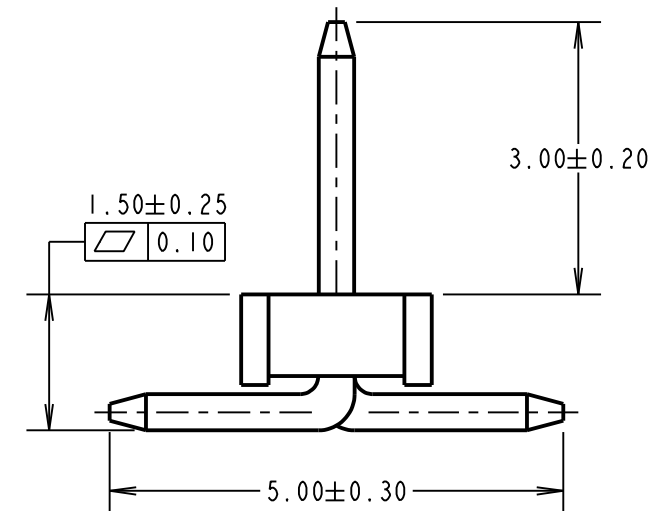
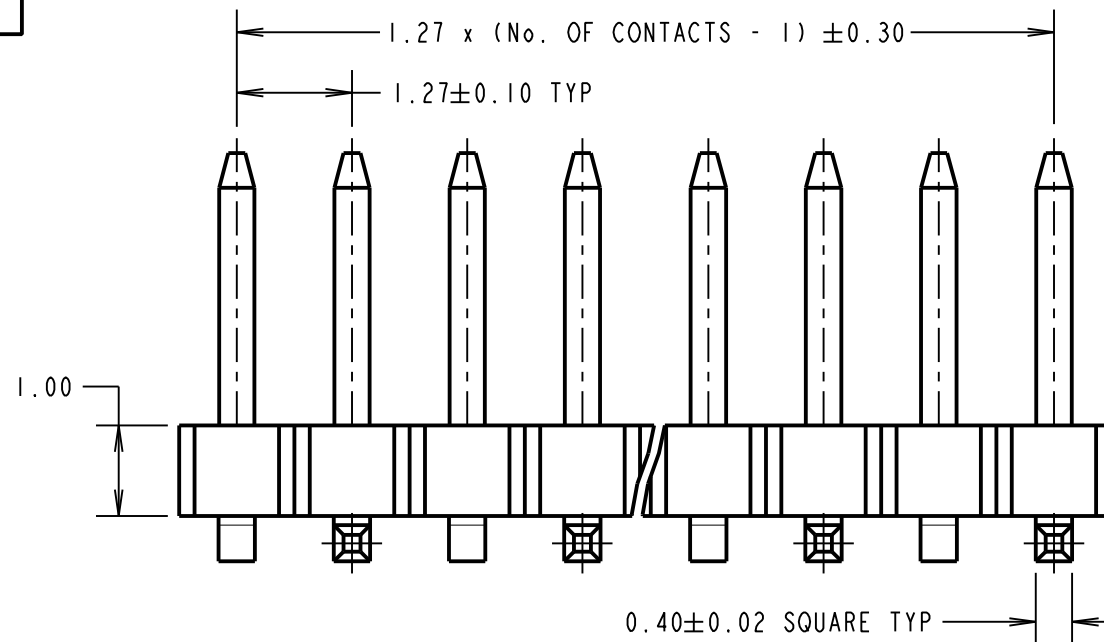
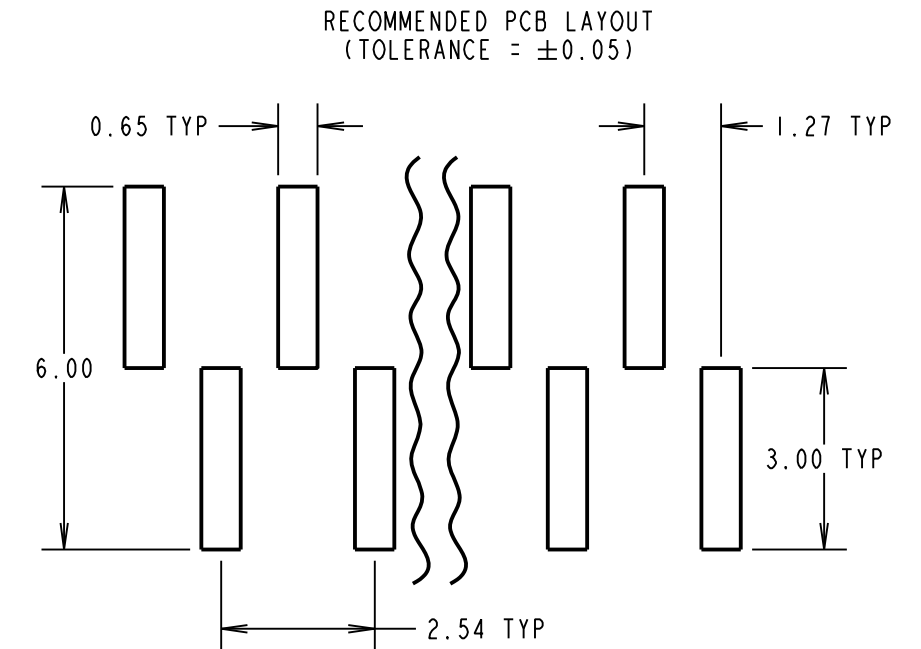
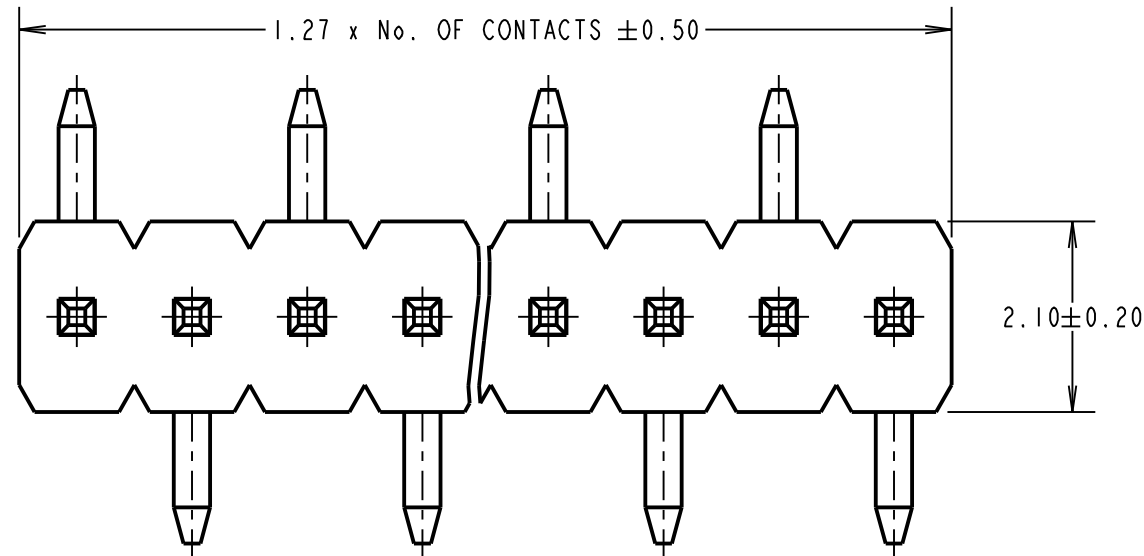
**ELECTRICAL:**  
 CURRENT RATING = 1A  
 CONTACT RESISTANCE = 20mΩ MAX  
 INSULATION RESISTANCE = 1000MΩ MAX  
 VOLTAGE PROOF = 500V AC FOR ONE MINUTE

**MECHANICAL:**  
 DURABILITY = 500 CYCLES

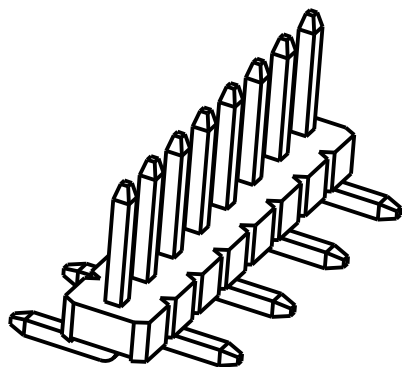
**ENVIRONMENTAL:**  
 OPERATING TEMPERATURE = -40°C TO +105°C

**PACKING:**  
 SEE ORDER CODE  
 FOR COMPLETE SPECIFICATION, SEE COMPONENT  
 SPECIFICATION C029XX (LATEST ISSUE)

**NOTES:**  
 1. FOR TAPE AND REEL DETAILS, SEE SHEET 4.



**ORDER CODE:**  
**M50-363XX42X**  
 No. OF CONTACTS: \_\_\_\_\_  
 02 TO 06, 08, 10, 20  
 PACKING: \_\_\_\_\_  
 BLANK = TUBE  
 R = TAPE AND REEL (SHEET 4)



MGP	2	14.01.19	21740
NAME	ISS.	DATE	C/NOTE
APPROVED: MGP			
CHECKED: SB			
DRAWN: S.BENNETT			
CUSTOMER REF.:			
ASSEMBLY DRG:			

**HARWIN**

www.harwin.com  
 technical@harwin.com

THIS DRAWING AND ANY  
 INFORMATION OR DESCRIPTIVE  
 MATTER SET OUT HEREON ARE  
 CONFIDENTIAL AND COPYRIGHT  
 PROPERTY OF THE HARWIN  
 GROUP AND MUST NOT BE  
 DISCLOSED, LOANED, COPIED  
 OR USED FOR MANUFACTURING,  
 TENDERING OR FOR ANY  
 OTHER PURPOSE WITHOUT  
 THEIR WRITTEN PERMISSION.

**TOLERANCES**  
 X. = ±1mm  
 X.X = ±0.50mm  
 X.XX = ±0.10mm  
 X.XXX = ±0.01mm  
 ANGLES = ±5°  
 UNLESS STATED

**MATERIAL:**  
 SEE ABOVE  
**FINISH:** SEE ABOVE  
**S/AREA:** mm<sup>2</sup>

**TITLE:**  
 1.27mm PITCH, SIL VERTICAL  
 SMT HEADER  
**DRAWING NUMBER:**  
**M50-363XX42X**  
 SHT 3 OF 4

# Customer Information Sheet

DRAWING No.: M50-363XX42X

IF IN DOUBT - ASK

©

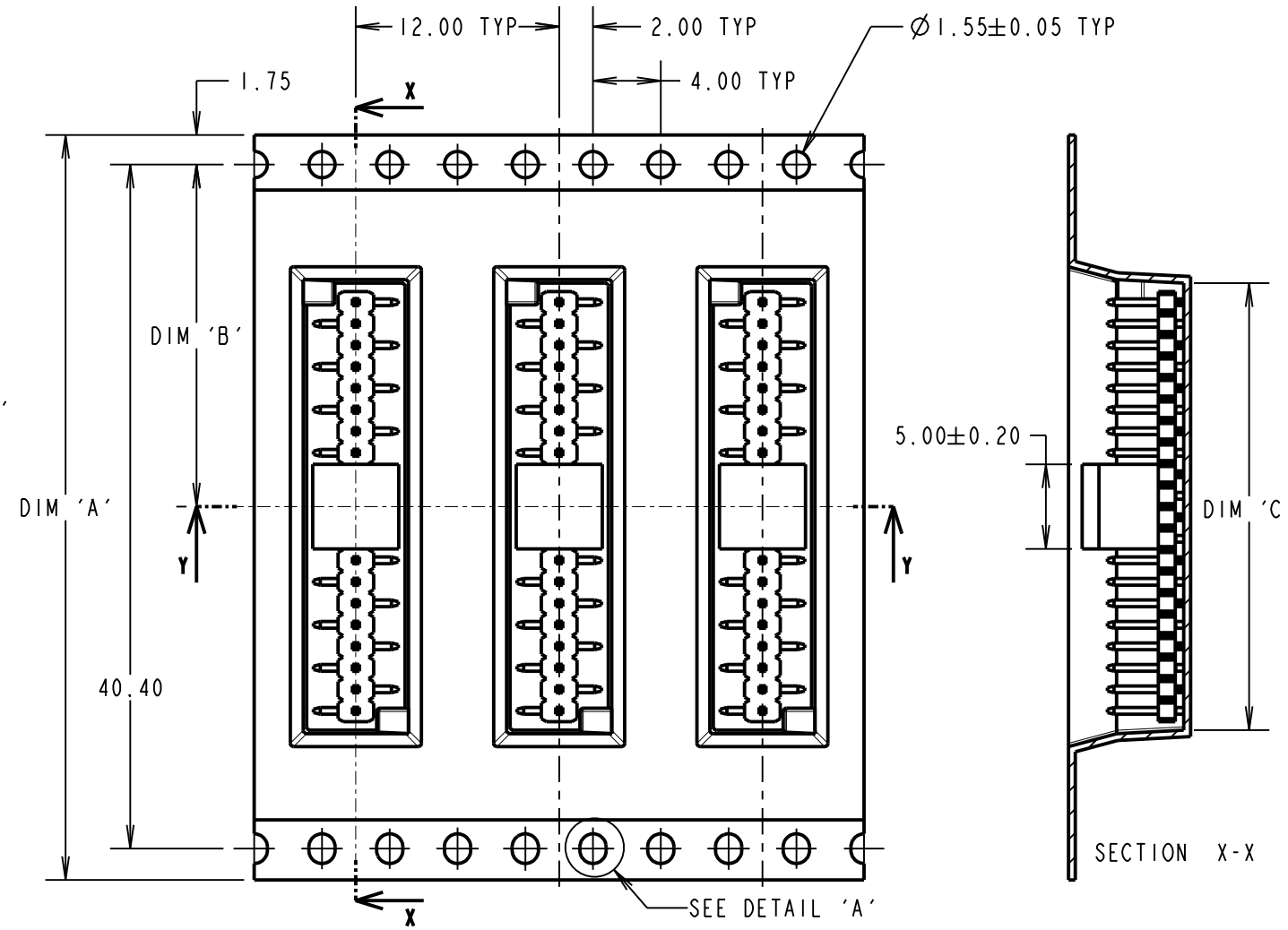
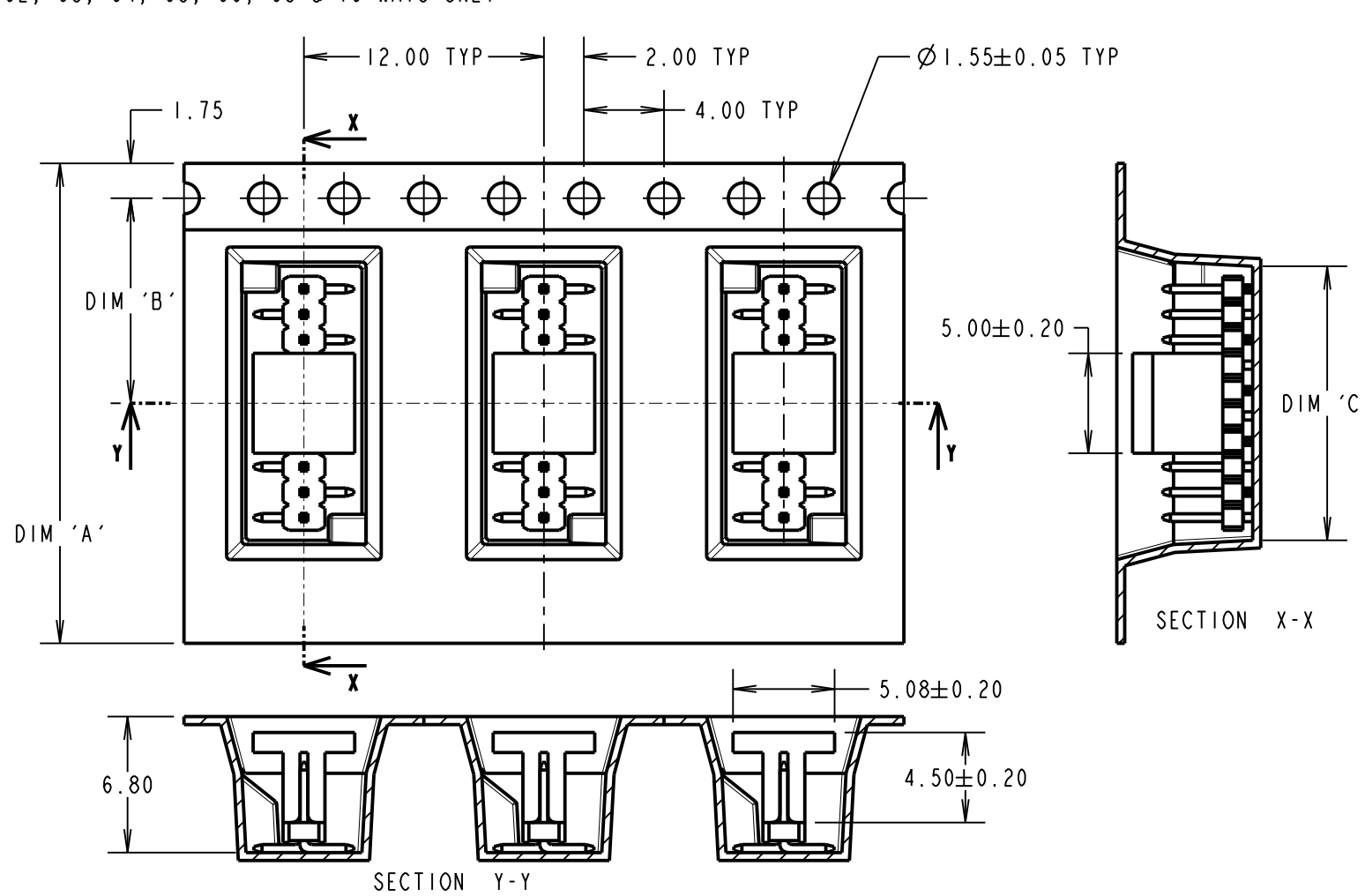
NOT TO SCALE

THIRD ANGLE PROJECTION

ALL DIMENSIONS IN mm

TAPE DETAILS FOR  
02, 03, 04, 05, 06, 08 & 10 WAYS ONLY

TAPE DETAILS FOR 20 WAY ONLY

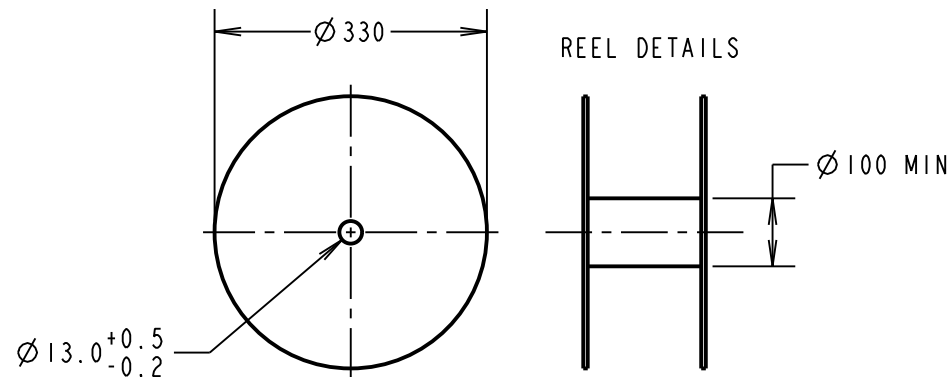
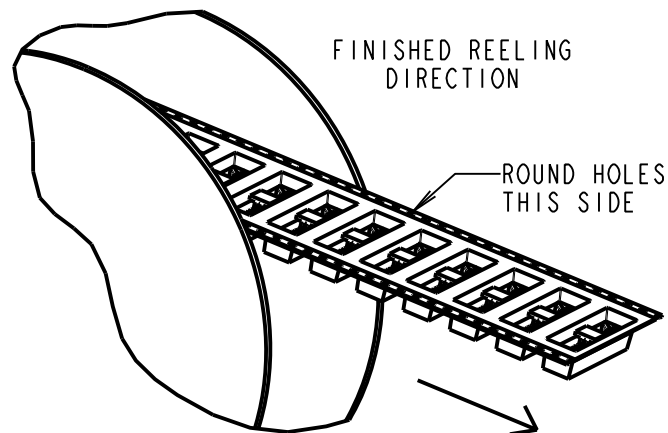
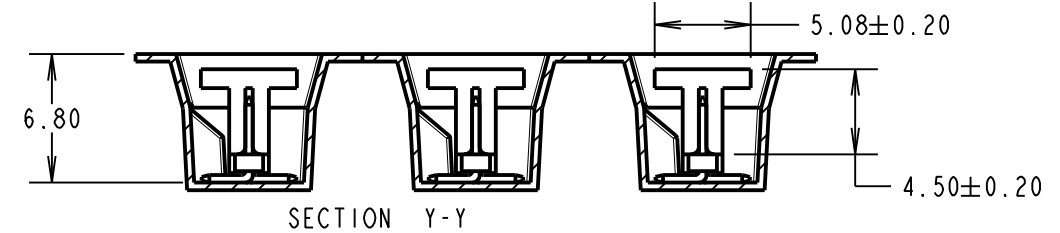
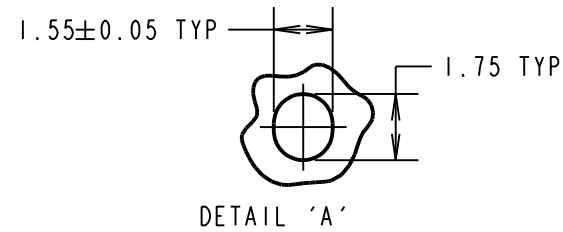


- NOTES:  
1. FOR CONNECTOR DETAILS AND SPECIFICATIONS, SEE SHEET 3.  
2. PRODUCT IS TAPE AND REELED IN GENERAL ACCORDANCE WITH EIA-481 (ELECTRAL INDUSTRIES ASSOCIATION).

ORDER CODE: **M50-363XX42X**

No. OF CONTACTS: \_\_\_\_\_  
02 TO 06, 08, 10, 20

PACKING: \_\_\_\_\_  
BLANK = TUBE  
R = TAPE AND REEL (SHEET 1)



PART No.	DIMENSION			REEL QUANTITY
	DIM 'A'	DIM 'B'	DIM 'C'	
M50-3630242R	16.00±0.30	7.50	3.54	800
M50-3630342R			4.81	
M50-3630442R			6.08	
M50-3630542R			7.35	
M50-3630642R			8.62	
M50-3630842R			11.16	
M50-3631042R	13.70			
M50-3632042R	44.00±0.30	20.20±0.15	26.40	

MGP	2	14.01.19	21740
NAME	ISS.	DATE	C/NOTE
APPROVED: MGP			
CHECKED: SB			
DRAWN: S.BENNETT			
CUSTOMER REF.:			
ASSEMBLY DRG:			

**HARWIN**

www.harwin.com  
technical@harwin.com

THIS DRAWING AND ANY INFORMATION OR DESCRIPTIVE MATTER SET OUT HEREON ARE CONFIDENTIAL AND COPYRIGHT PROPERTY OF THE HARWIN GROUP AND MUST NOT BE DISCLOSED, LOANED, COPIED OR USED FOR MANUFACTURING, TENDERING OR FOR ANY OTHER PURPOSE WITHOUT THEIR WRITTEN PERMISSION.

TOLERANCES  
X. = ±1mm  
X.X = ±0.50mm  
X.XX = ±0.10mm  
X.XXX = ±0.01mm  
ANGLES = ±5°  
UNLESS STATED

MATERIAL:  
SEE ABOVE

FINISH: SEE ABOVE

S/AREA: mm<sup>2</sup>

TITLE:  
1.27mm PITCH, SIL VERTICAL SMT HEADER

DRAWING NUMBER:  
**M50-363XX42X**

SHT 4 OF 4

# Mouser Electronics

Authorized Distributor

Click to View Pricing, Inventory, Delivery & Lifecycle Information:

[Harwin:](#)

[M50-3630842R](#) [M50-3630642](#) [M50-3632042](#) [M50-3631042](#) [M50-3630642R](#) [M50-3630842](#) [M50-3630442](#) [M50-3630242R](#) [M50-3630542R](#) [M50-3631042R](#) [M50-3630442R](#) [M50-3630242](#) [M50-3630542](#) [M50-3630342R](#) [M50-3632042R](#) [M50-3630342](#)