

5

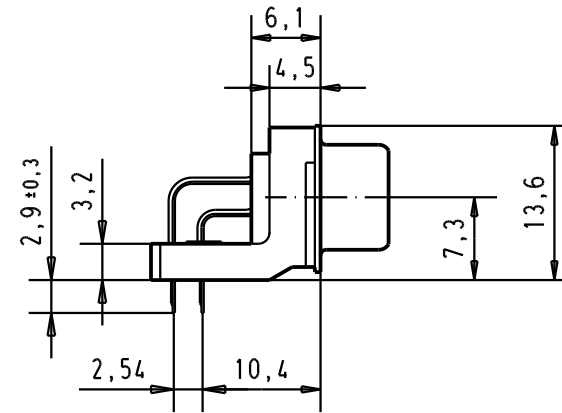
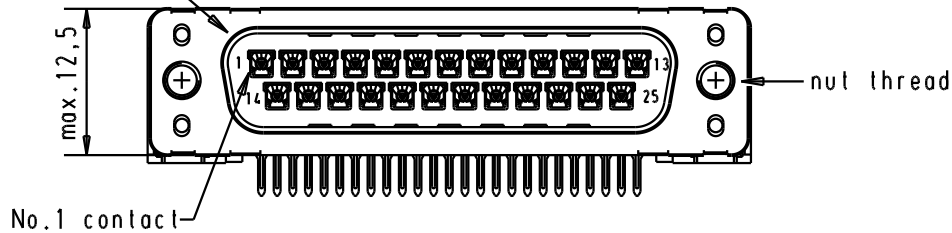
4

3

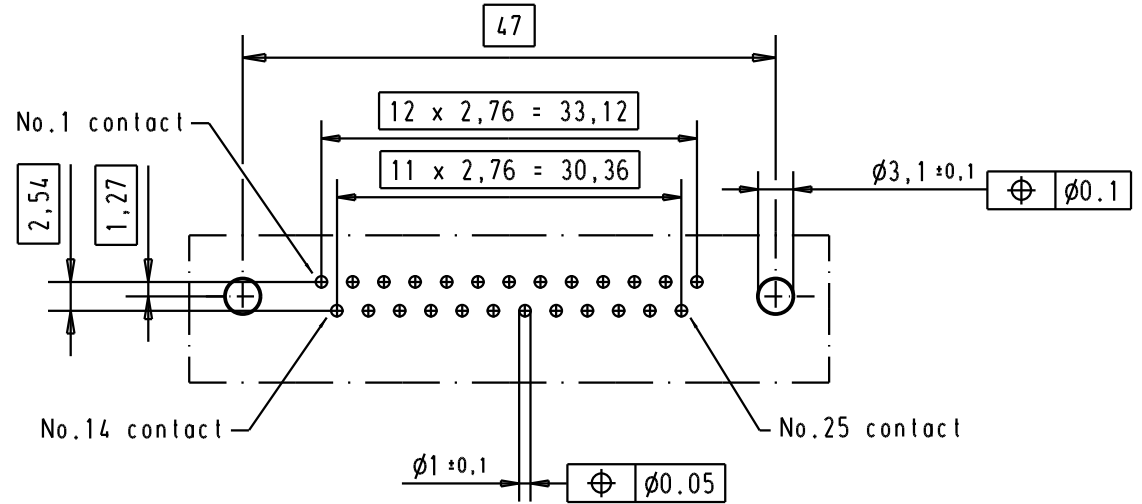
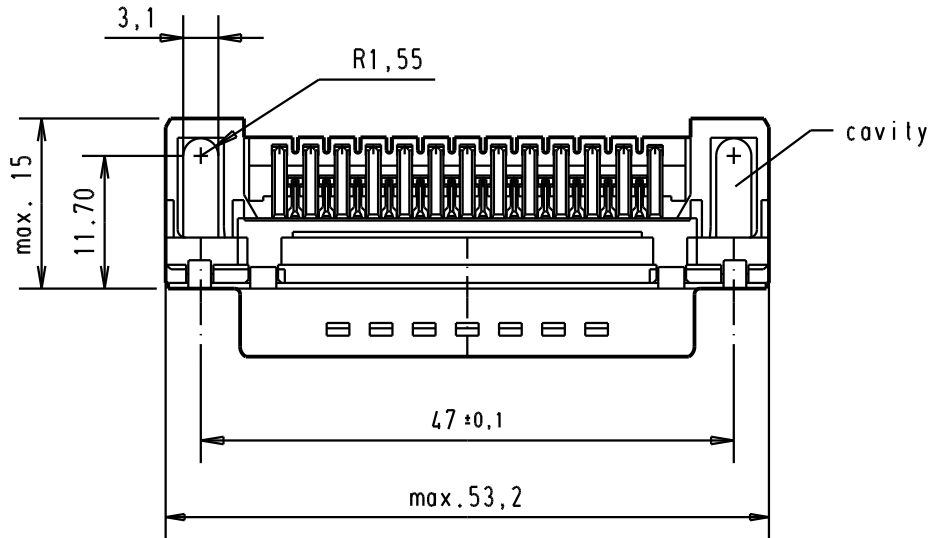
2

1

Mating face according to : MIL-C-24308 / DIN 41652 / CECC 75301-802



Printed board layout component side



09 65 322 3801

M3

1

09 65 322 6801

M3

2

09 65 322 7801

M3

3

31892

22/04/04

JH

Insp.

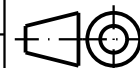
Stand.

Dat.

13/dec/00

Name

ALSPACE



All Dim. in mm
Orig. Size DIN A 4

D-Sub, male, standard angle,
25 poles, with solder pin,
nut and hole

Moßstab/
Scale

1.5:1

09 65 322 3802

4-40 UNC

1

29773

18-APR-02

CV

09 65 322 6802

4-40 UNC

2

29689

02/07/01

AA

09 65 322 7802

4-40 UNC

3

27960

13/dec/00

ALSPACE

HARTING EURL
F-95972 Paris



TB 0965322x80x

Blatt/ Page

2

Part number

Nut thread

Performance level

Mod.

Dat.

Name

Sub.

Mouser Electronics

Authorized Distributor

Click to View Pricing, Inventory, Delivery & Lifecycle Information:

HARTING:

[09653226801](#) [09653226802](#) [09653227801](#) [09653227802](#)