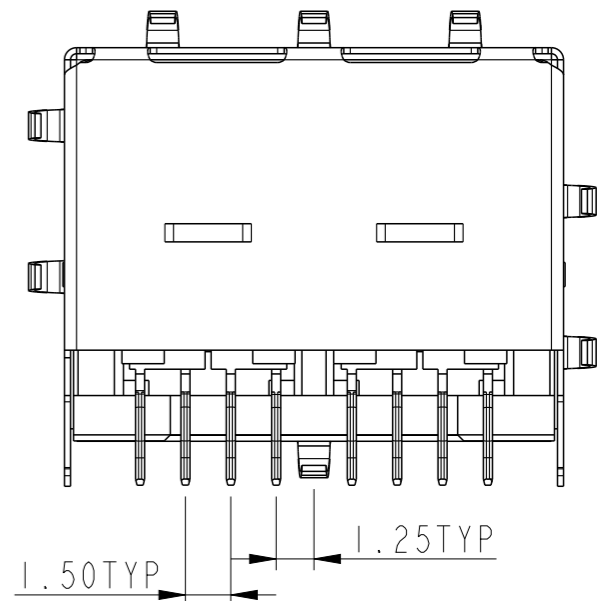
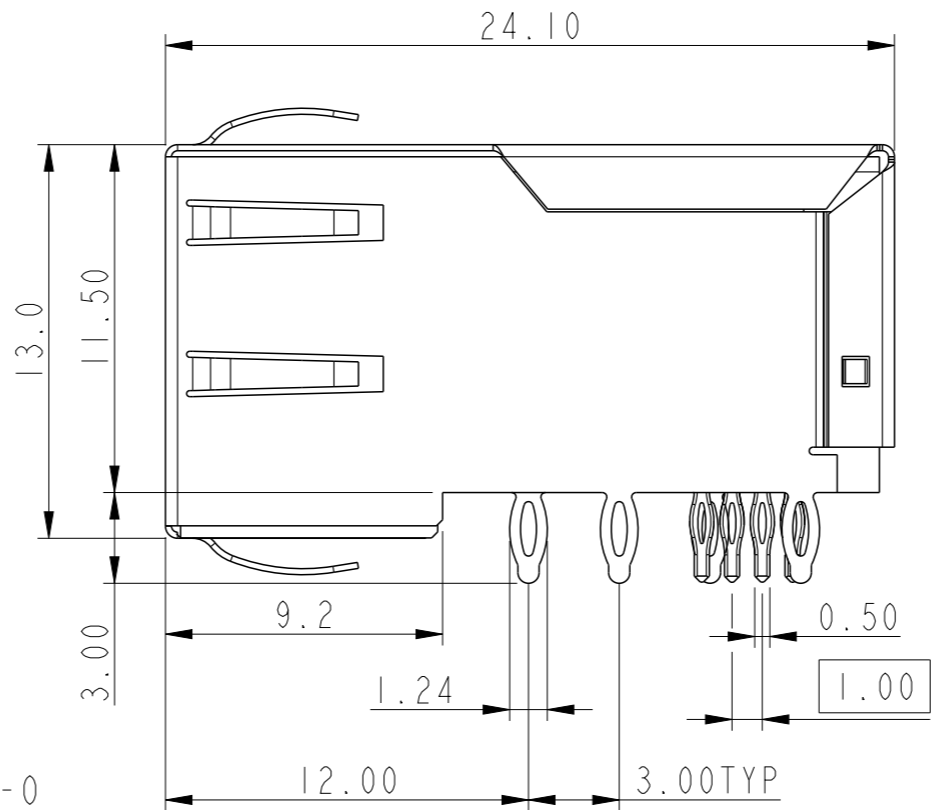
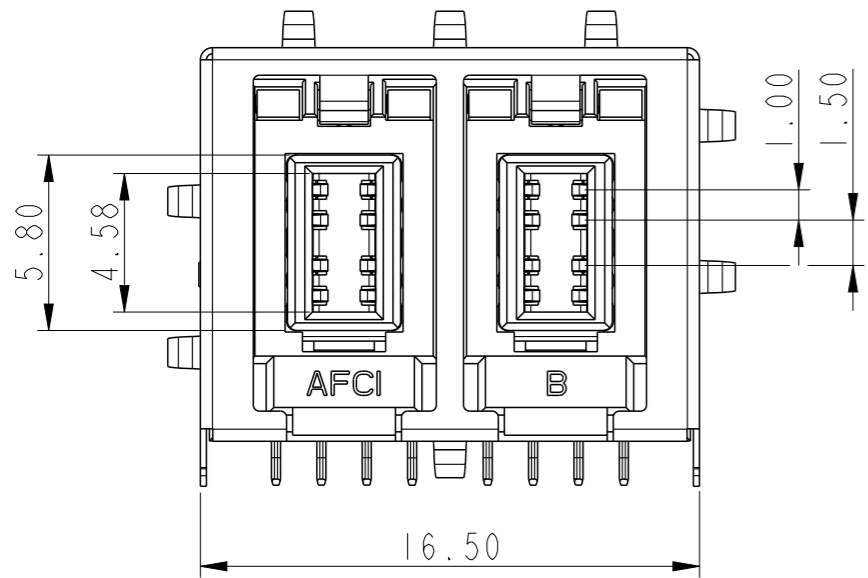
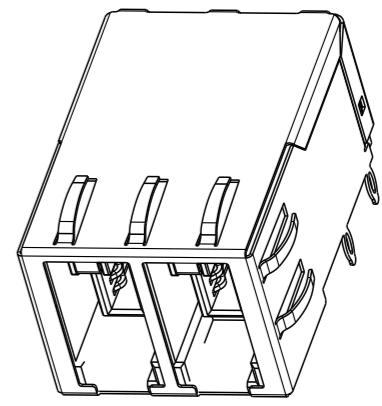
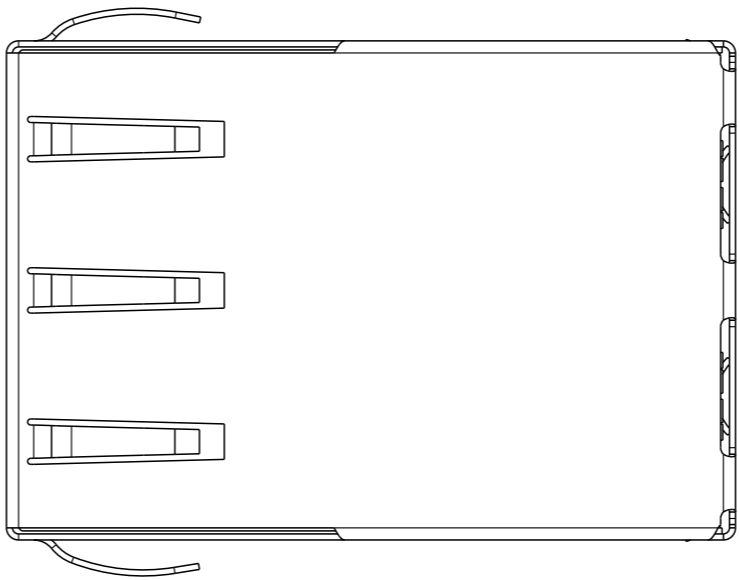


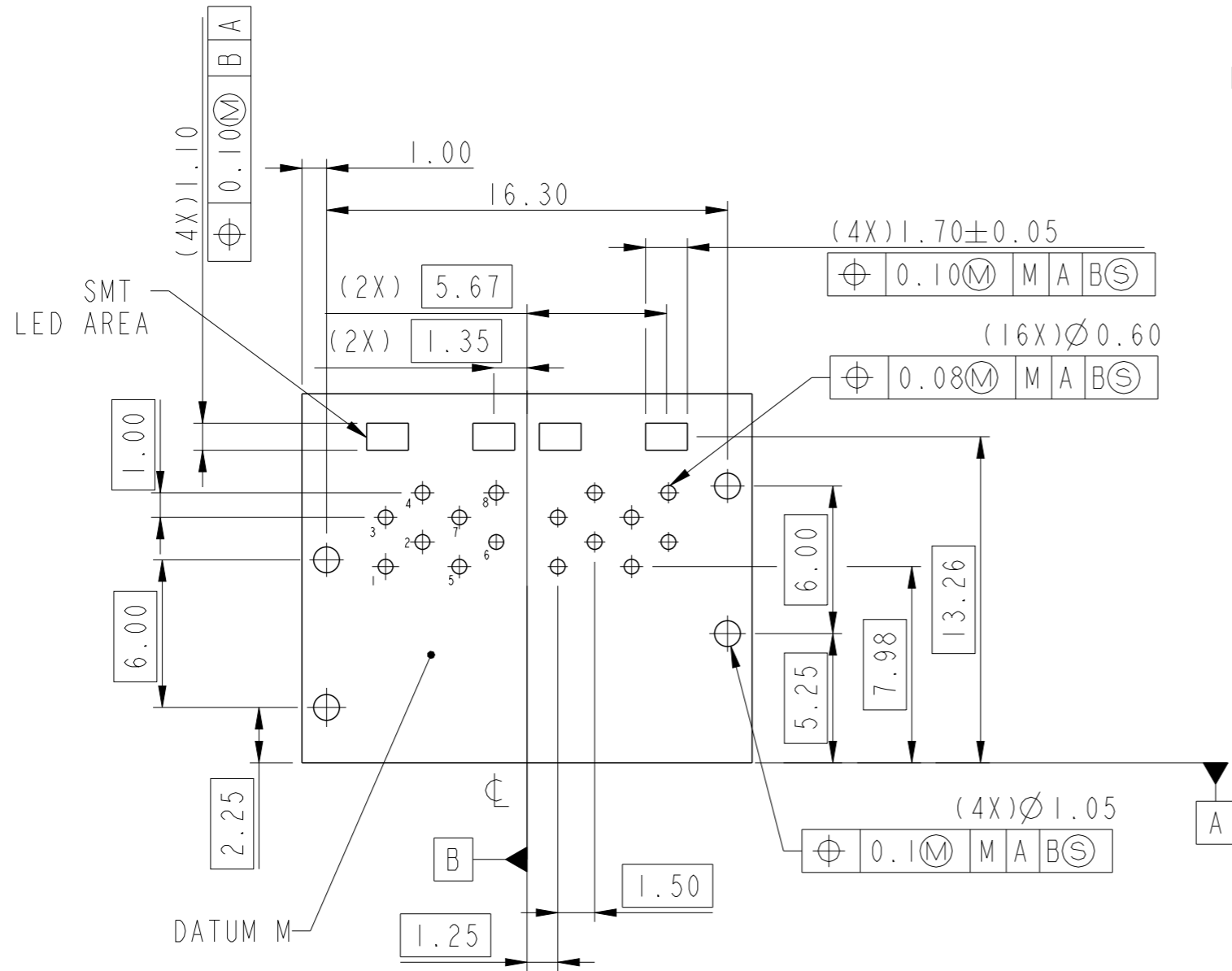
PART NO.
10133575-001LF



NOTES
 1. MATERIAL:
 HOUSING: BLACK THERMOPLASTIC RATED UL 94V-0
 SHIELD: COPPER ALLOY WITH NICKEL PLATING.
 CONTACTS: COPPER ALLOY
 CONTACT PLATING: 0.05µm MIN GOLD OVER
 0.76µm MIN PdNi, AT MATING INTERFACE CONTACT AREA
 2. LIGHT PIPE MATERIAL: CLEAR POLYCARBONATE
 3. RECOMMENDED MIN PCB THICKNESS 1.5MM

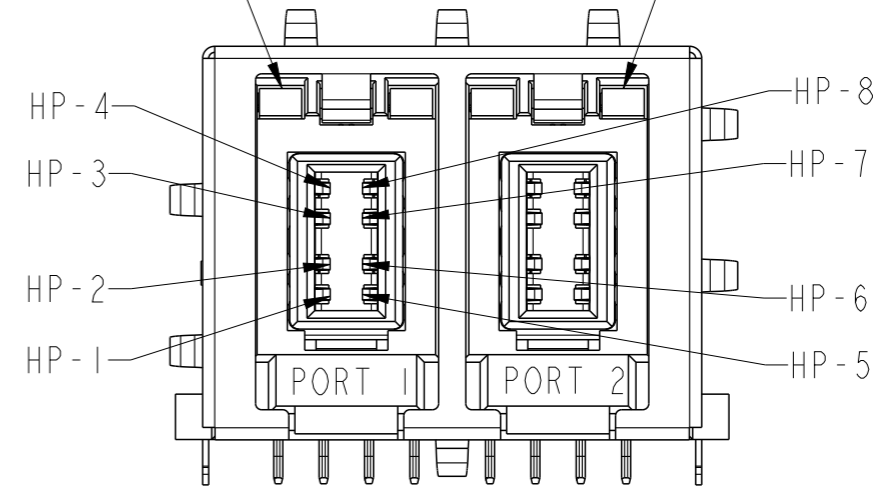
spec ref	dr	Dipu Joseph	2017/01/17	projection	mm	size	A3	scale	2:1
tolerance std	eng	P-Mathew Nebu	2017/01/17			ecn no	-	rel level	Preliminary
ISO 406 ISO 1101	chr	-	-						
surface	linear	0.X	±0.3	Amphenol FCI	2x1 SLIMLINE MODJACK RECEPTACLE	dwg no	10133575	rev	1
		0.XX	±0.1						
0.XXX	±.05								
ISO 1302	angular	0°	±2°	cat. no.	-	Product - Customer Drw	sheet 1 of 2		

© 2016 AFCI



RECOMMENDED PCB LAYOUT VIEWED FROM COMPONENT SIDE

LEFT LIGHT PIPE RIGHT LIGHT PIPE



TD0 +	HP-1	①	MX0 +
TD0 -	HP-2	②	MX0 -
TD1 +	HP-3	③	MX1 +
TD1 -	HP-4	④	MX1 -
TD2 +	HP-5	⑤	MX2 +
TD2 -	HP-6	⑥	MX2 -
TD3 +	HP-7	⑦	MX3 +
TD3 -	HP-8	⑧	MX3 -

spec ref	dr	Dipu Joseph	2017/01/17	projection	mm	size	A3	scale	2:1
tolerance std	eng	P-Mathew Nebu	2017/01/17			ecn no	-	rel level	Preliminary
ISO 406 ISO 1101	chr	-	-						
surface	linear	0.X	±0.3	Amphenol FCi	2x1 SLIMLINE MODJACK RECEPTACLE	dwg no 10133575	rev 1	Product - Customer Drw	
		0.XX	±0.1					cat. no.	-
ISO 1302	angular	0°	±2°					sheet 2 of 2	