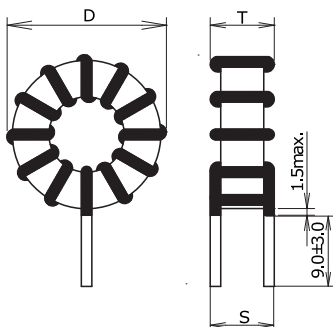


**KEMET Part Number: HHBC14-1R2A0067V**  
(UALC141R2A0067)

KEMET, HHBC, AC Line Filters, Normal Mode, 67 uH, 20%



| Dimensions |            |
|------------|------------|
| D          | 33.5mm MAX |
| T          | 17.1mm MAX |
| LL         | 9mm +/-3mm |
| S          | 14mm NOM   |

| Packaging Specifications |      |
|--------------------------|------|
| Packaging:               | Tray |
| Packaging Quantity:      | 120  |
| Weight:                  | 37 g |

| General Information |   |
|---------------------|---|
| Series:             | HHBC  |
| Style:              | Through-Hole  |
| Features:           | Noise Solution, Switching Power Supply Outlets, DC-DC Converter |
| RoHS:               | Yes   |
| Miscellaneous:      | 40 (K) Temperature Rise Max.                                    |

| Specifications        |            |
|-----------------------|------------|
| Inductance:           | 67 uH      |
| Inductance Tolerance: | 20%        |
| Current:              | 8 A        |
| Temperature Range:    | -40/+125°C |
| DC Resistance:        | 22.2 mOhms |