

15

KLS 10

Jack connectors

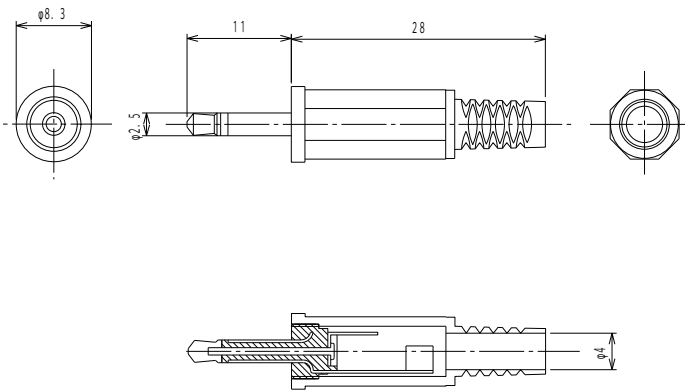


Jack plug acc. to JIS C 6560 JC25P2, 2.5 mm, 2 poles/
mono, straight version, cone headed, with bend
protection and solder terminals

State: Active

15

KLS 10



Environmental conditions

Temperature range -20 °C/+70 °C

Materials

Contact CuZn, nickel-plated
Insulation ABS
Housing PE

Connectable conductors for solder area

Cable diameter 4 mm

Electrical data (at T_{amb} 20 °C)

Rated current 0,5 A
Rated voltage 34 V AC/DC
Rated impulse voltage 500 V/60 s
Insulation resistance $\geq 100 \text{ M}\Omega$

Associated products

Counterparts
[1501 09](#) [KLB 1](#)

15

KLS 10

Designation	Pole Number	PU (Pieces)	MDQ (Pieces)
KLS 10	2	100	500

Packaging:

in bulk, in a cardboard box or a plastic bag