



RJF TV

Ethernet Connection System for Harsh Environment



RJF TV allows you to use an Ethernet Class D / Cat. 5e connection for 10 BaseT, 100 BaseTx or 1000 BaseT networks in harsh environments. With the patented RJStop system you can use a standard RJ45 cordset in a metallic plug which will protect it from shocks, dust and fluids.

No hazardous on-field cabling and grounding!

Applications

- Data Acquisition and Transmission in harsh environment
- Railways
- Radars
- Shelters
- Battlefield Communication
- Systems
- Navy

Data Transmission

10 BaseT, 100 BaseTX and 1000 BaseT networks
Cat 5e per TIA/EIA 568B and ClassD per ISO/IEC 11801

MAIN CHARACTERISTICS

- Sealed against fluids and dusts (IP68)
- Shock, Vibration and Traction resistant
- No cabling operation in field and no tools required
- Mechanical Coding / Polarization (4 positions)
- Improved EMI protection
- **Tri Start Thread coupling mechanism (MIL-DTL-38999 series III type) with anti-decoupling device**
- **Robust metallic shells**
- RJ45 cordset retention in the plug: 100 N in the axis
- Mating cycles: 500 min
- Compatible with cable diameter from 5,5 mm [0.216 in] to 13 mm [0.512 in]

Environmental Protection

- Sealing: IP68
- Salt Spray: 48 h with Aluminium shell - Nickel plating
> 500 h with Aluminium shell - Olive Drab Cadmium plating
1000h with Marine bronze shell
- Fire Retardant / Low Smoke: UL94 V0 and NF F 16 101 & 16 102
- Vibrations: 10 – 500 Hz, 10 g, 3 axes: no discontinuity > 10 nano s.
- Compounded versions tested per NAS 1599 (5-3000 Hz, 20g, 12h)
- Shocks: IK06: weight of 250 g drop from 40 cm [15.75 in] onto connectors (mated pair)
- Humidity: 21 days, 43°C, 98% humidity
- Thermal Shock: 5 cycles at - 40°C / +100°C
- Temperature Range: - 40°C / +85°C

Part Number Code

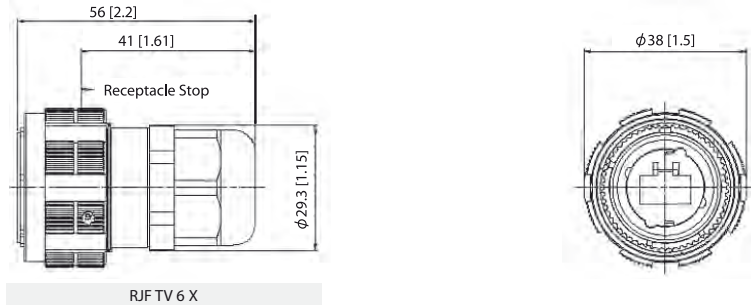
Series	RJF TV	2	2	G	03 100 BTX
RJ Field TV					
Shell Type					
6:	Plug with Plastic gland				
6M:	Plug with Metal gland				
2:	Square Flange Receptacle				
2PE:	Square Flange Receptacle, IP68 backshell, Plastic gland				
2PEM:	Square Flange Receptacle, IP68 backshell, Metal gland				
7:	Jam Nut Receptacle				
7PE:	Jam Nut Receptacle, IP68 backshell, Plastic gland				
7PEM:	Jam Nut Receptacle, IP68 backshell, Metal gland				
2SA, 7SA:	Transversally sealed receptacle (unmated) see page 22				
Back Terminations (Receptacles only)					
1:	Female RJ45				
1RA:	Right Angle Female RJ45				
2:	RJ45 Cordset				
Shells material & Finish					
N:	Aluminium shell - nickel plating (receptacle inserts are metallized) - ROHS compliant				
G:	Aluminium shell - olive drab cadmium plating (receptacle inserts are metallized)				
BZ:	Marine bronze shell (receptacle inserts are metallized) - ROHS compliant				
Cordset Length (type 2 back termination only)					
03 100 BTX:	0.3m [11.81 inches]				
05 100 BTX:	0.5m 19.68 inches]				
10 100 BTX:	1m [39.37 inches]				
15 100 BTX:	1.5m [59.05 inches]				
00:	8 tinned holes at the rear of the PCB to solder the cable				

Remark: Cabling configuration: 100 BTX = 568B (Ethernet specification)

- Examples:
- Olive Drab Cadmium plug with plastic gland: RJF TV 6G
 - Olive Drab Cadmium Jam Nut Receptacle, female RJ45 back termination: RJF TV 71G
 - Nickel Jam Nut Receptacle, 1,5 m 100 BTX cordset back termination: RJF TV 72N 15 100BTX
 - Olive Drab Cadmium in line Square Flange Recept., 0,3 m 100 BTX cordset back termination: RJF TV 2PE 2 G 03 100BTX
 - Nickel Jam Nut Receptacle Solder termination 8 tinned holes: RJF TV 22 N 00

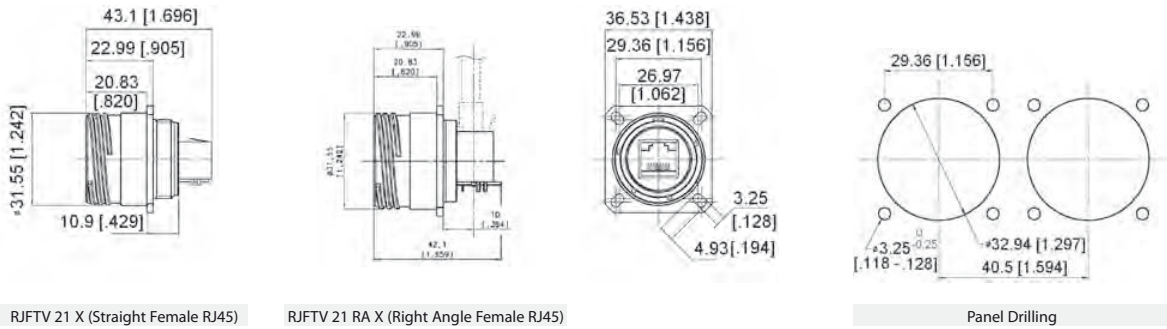
Plug:

- Shell type 6 with Plastic or Metal Gland

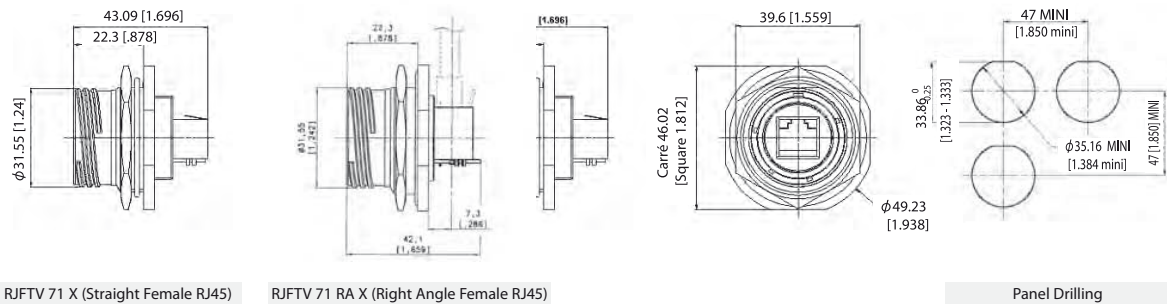


Receptacles:

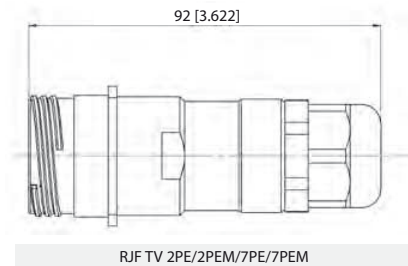
- Square flange receptacle • 4 mounting holes: Shell type 2



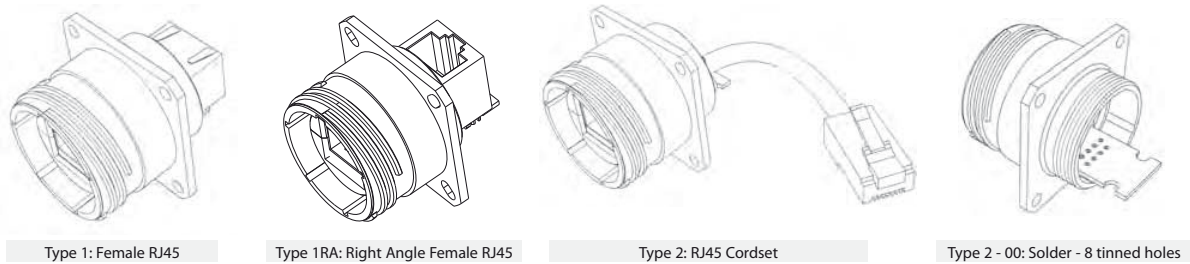
- Jam nut receptacle • Hexagonal Nut mounting: Shell type 7



- Receptacles with IP68 backshell • Shell type 2PE and 7PE with Plastic or Metal Gland



Back Terminations

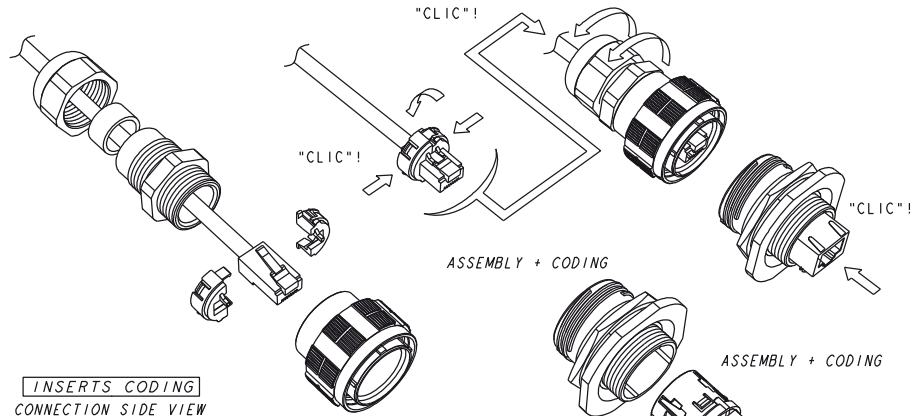


Notes Type 2 without RJ45 plug at the end of the cable is also available: consult factory

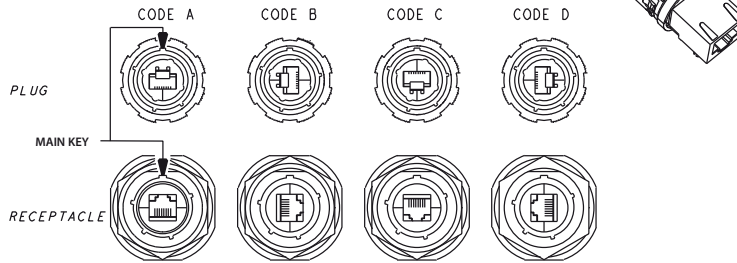
Assembly instructions

Insert Codings

CONNECTION SIDE VIEW



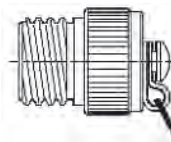
INSERTS CODING
CONNECTION SIDE VIEW



Accessories

■ Metallic Caps

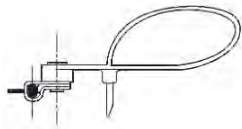
	RJFTVC	2	G
Connector Type			
6:	Plug		
2:	Square Flange Receptacle		
7:	Jam Nut Receptacle		
Shell Material & finish			
N:	Aluminium shell - nickel plating - ROHS compliant		
G:	Aluminium shell - olive drab cadmium plating		
BZ:	Marine bronze shell - ROHS compliant		



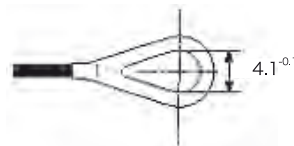
Plug Cap



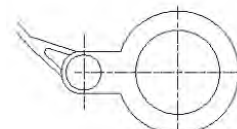
Receptacle Cap



Plug Cap end



Square flange receptacle cap end



Jam Nut receptacle cap end

- Panel Gasket for square flange receptacle
(Thickness: 0,8 mm [.031]): JE19



- Insert removal tool: RJF ODE



Mouser Electronics

Authorized Distributor

Click to View Pricing, Inventory, Delivery & Lifecycle Information:

[Amphenol:](#)

[RJFTV25GF459](#) [RJFTVX2SA1N](#) [RJFTVX6MN](#) [RJFTV7PEM1BZ](#) [RJFTV7HA1G](#) [RJFTV7SA2N03100BTX](#)