

4

3

2

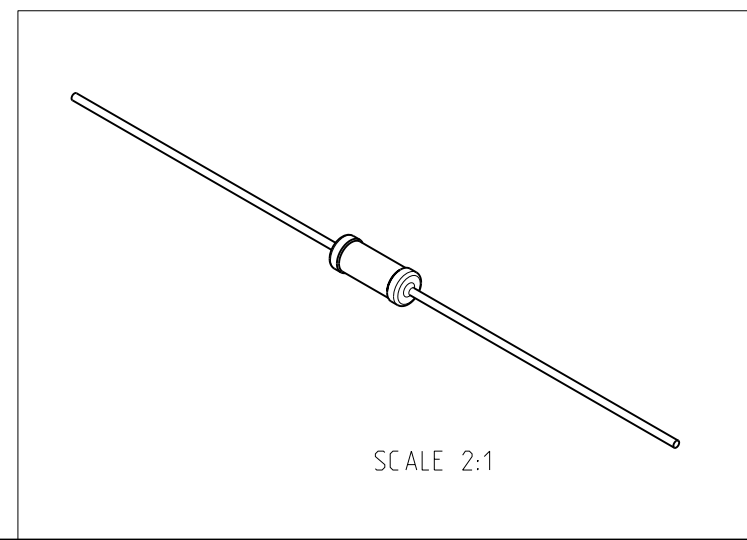
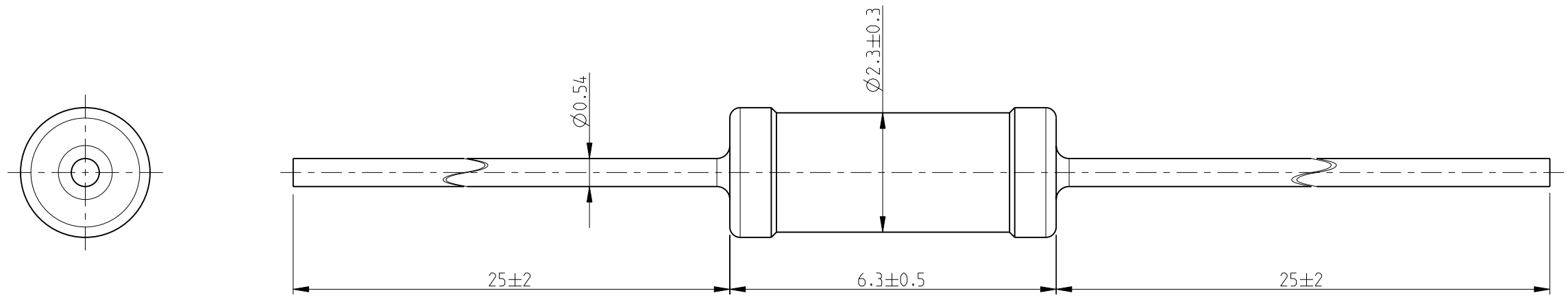
1

THIS DRAWING IS UNPUBLISHED.      RELEASED FOR PUBLICATION      2009

© COPYRIGHT 2009      BY TYCO ELECTRONICS CORPORATION. ALL RIGHTS RESERVED.

| LOC | DIST | REVISIONS   |             |           |         |
|-----|------|-------------|-------------|-----------|---------|
| P   | LTR  | DESCRIPTION | DATE        | DWN       | APVD    |
| E   | B    | BA          | NEW RELEASE | 29-JUL-09 | SM St.P |

FOR FURTHER INFORMATION SEE DATA SHEET FOR  
SERIES FRN: FLAME-PROOF FUSIBLE RESISTORS



|   |   |  |  |                      |                 |
|---|---|--|--|----------------------|-----------------|
| <small>THIS DRAWING IS A CONTROLLED DOCUMENT FOR TYCO ELECTRONICS CORPORATION<br/>IT IS SUBJECT TO CHANGE AND THE CONTROLLING ENGINEERING ORGANIZATION<br/>SHOULD BE CONTACTED FOR THE LATEST REVISION.</small> |   | DWN SUBHASH.M 29-JUL-09<br>CHK ALLAN.P 29-JUL-09<br>APVD STEPHEN.P 29-JUL-09 | Tyco Electronics Corporation<br>Dorcan, Swindon, SN3 5HH |                      |                 |
| DIMENSIONS:<br>mm   | TOLERANCES UNLESS OTHERWISE SPECIFIED:<br>0 PLC ±0.2<br>1 PLC ±0.1<br>2 PLC ±<br>3 PLC ±<br>4 PLC ±<br>ANGLES ±5° | PRODUCT SPEC -<br>APPLICATION SPEC -<br>WEIGHT -                             | NAME FLAME-PROOF FUSIBLE RESISTORS<br>SERIES FRN25       |                      |                 |
| MATERIAL -  | FINISH -  | SIZE A3  | CAGE CODE 00779  | DRAWING NO C-1625878 | RESTRICTED TO - |
| CUSTOMER DRAWING  |   |  | SCALE 10:1   | SHEET 1 OF 1         | REV BA          |

# Mouser Electronics

Authorized Distributor

Click to View Pricing, Inventory, Delivery & Lifecycle Information:

[TE Connectivity:](#)

[FRN25J100R](#)