



DC POWER CONNECTORS: KPJX Series

Snap and Lock PCB Mount Receptacle

Product Features

Laptop Computers, Power Supplies and Other Portable Digital Equipment Applications
 Snap & Lock Feature Helps to Prevent Accidental Disconnects
 3 or 4 Pins Transmit Power, or One Pin Can Be Used For Signal Transmission
 For Signal and DC Power Applications
 CSA/NRTL Certified File No. LR78160
 UL File No. E140125

Performance Specifications

Materials and Finish

Shield: Copper Alloy, Tin Plated
Body: PBT, UL 94V-0 Rated
HT Body: High Temperature Thermoplastic, UL 94V-0 Rated

Electrical Characteristics

Contact Rating

3 Position: Pin 1 and 2, 48V DC at 7.5A Max.,
 Pin 3, 48V DC 1.0A Max.

4 Position: 48V DC 7.5A Max. For All Pins.

Insulation Resistance: 50 Megohms Min. at 250V DC

Dielectric Withstanding Voltage: 500V AC for 1 Minute

Contact Resistance: 30 milliohms Max.

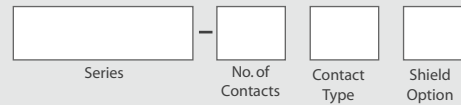
Mechanical Characteristics

Durability: 1000 Cycles

2D Drawing	IGES	STEP	3D PDF
Check Stock	Solder Profile	Request a Sample	Send Us An Email
RoHS Compliant	REACH Compliant	UL Plastic	Certificate of Compliance

Generated Part Number

Part Number Builder



Series

KPJX - Right Angle Receptacle
 KPJXHT - High Temperature, Right Angle Receptacle

Number of Contacts

3 Pin
 4 Pin

Contact Type

S - Socket

Shield Option

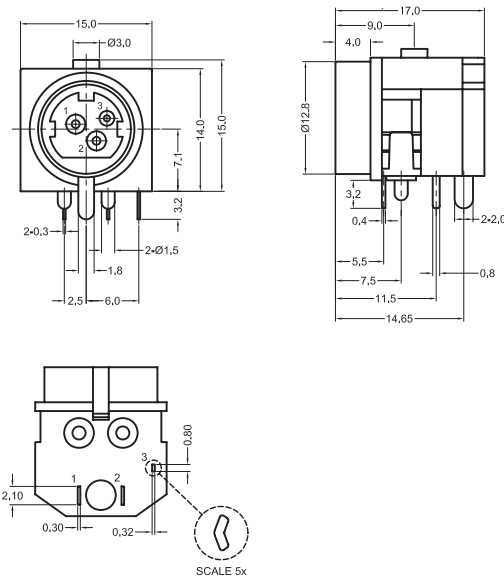
Blank - Non-Shielded
 S - Shielded

Recommended to be used with Kycon KPPX Series Plugs

Contact Kycon for Other Options

KPJX-3S Series

Dimensions in mm



Mouser Electronics

Authorized Distributor

Click to View Pricing, Inventory, Delivery & Lifecycle Information:

[Kycon:](#)

[KPJX-3S-S](#) [KPJX-3S](#) [KPJX-4S](#) [KPJXHT-4S-S](#) [KPJXHT-4S](#) [KPJXHT-3S](#) [KPJXHT-3S-S](#)