

High Frequency Ceramic Solutions

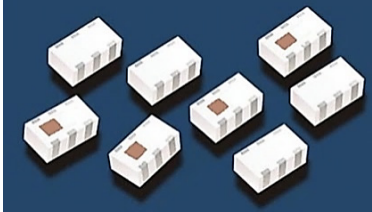
3700MHz (3.4-4GHz) 1:1 RF Balun EIA 0805, 6-Pin

P/N 3700BL15C0050

Detail Specification: 4/7/2016

Page 1 of 3

General Specifications

Part Number	3700BL15C0050				
Frequency (MHz)	3400 ~ 4000				
Unbalanced Impedance	50 Ω				
Differential Balanced Imp.	50 Ω				
Insertion Loss	1.2 dB max.				
Return Loss	9.5 dB min.				
Phase Difference (degree)	180 ± 25				
Amplitude Difference	2 dB max.			Operating Temperature	-40 to +85°C
Impedance	50 / 50 Ω			Recommended Storage Conditions of unused product on T&R	+5 to +35°C, 18 mos. max. Humidity 45~75% RH
Power Capacity	1W max. (CW)				
Reel Quantity	4,000 pcs				

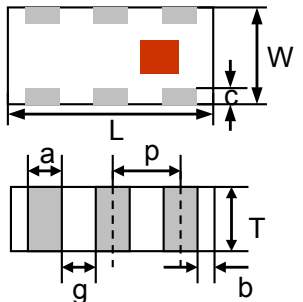
You can download measured s-parameters of this component at: <http://www.johansontechnology.com/rfbaluns>

Part Number Explanation

P/N Suffix	Packing Style	Bulk	Suffix = S	Eg. 3700BL15C0050S
		T & R	Suffix = E	Eg. 3700BL15C0050E
	Termination style	100% Tin	Suffix = None	Eg. 3700BL15C0050 (E or S)
	Evaluation Board	3700BL15C0050-EB3SMA (3 female SMA connectors)		

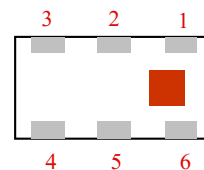
Mechanical Dimensions

	In	mm
L	0.079 ± 0.004	2.00 ± 0.10
W	0.049 ± 0.004	1.25 ± 0.10
T	0.033 ± 0.004	0.85 ± 0.10
a	0.012 ± 0.004	0.30 ± 0.10
b	0.008 ± 0.004	0.20 ± 0.10
c	0.012 +0.004/0.008	0.30 +0.1/-0.2
g	0.014 ± 0.004	0.35 ± 0.10
p	0.026 ± 0.002	0.65 ± 0.05



Terminal Configuration

1	Unbalanced Port	4	Balanced Port
2	GND or DC Feed	5	GND
3	Balanced Port	6	NC



Johanson Technology, Inc. reserves the right to make design changes without notice.
All sales are subject to Johanson Technology, Inc. terms and conditions.



www.johansontechnology.com

4001 Calle Tecate • Camarillo, CA 93012, USA • TEL +1.805.389.1166

Ver 1.0

2014 Johanson Technology, Inc. All Rights Reserved

High Frequency Ceramic Solutions

3700MHz (3.4-4GHz) 1:1 RF Balun EIA 0805, 6-Pin

P/N 3700BL15C0050

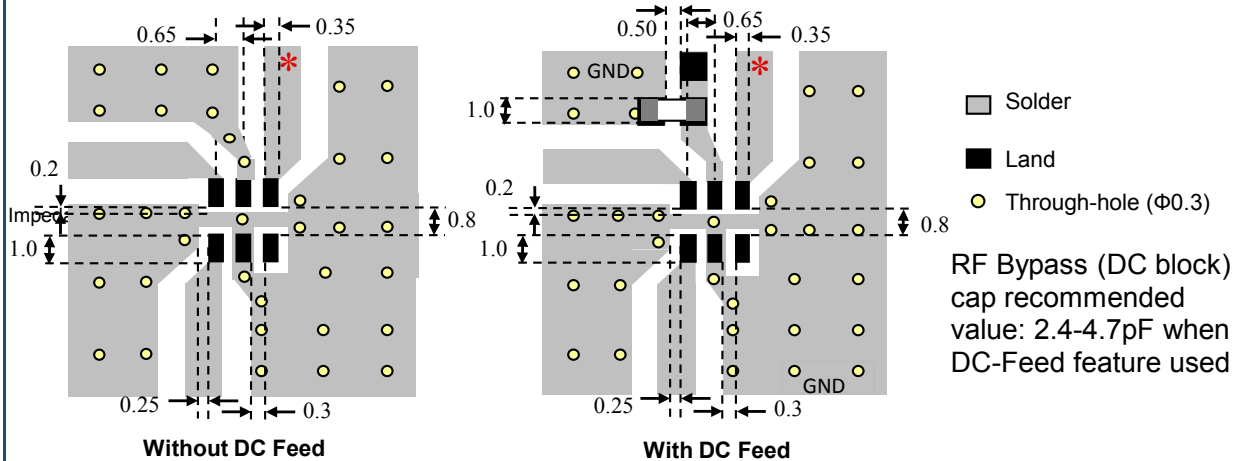
Detail Specification: 4/7/2016

Page 2 of 3

Mounting Considerations

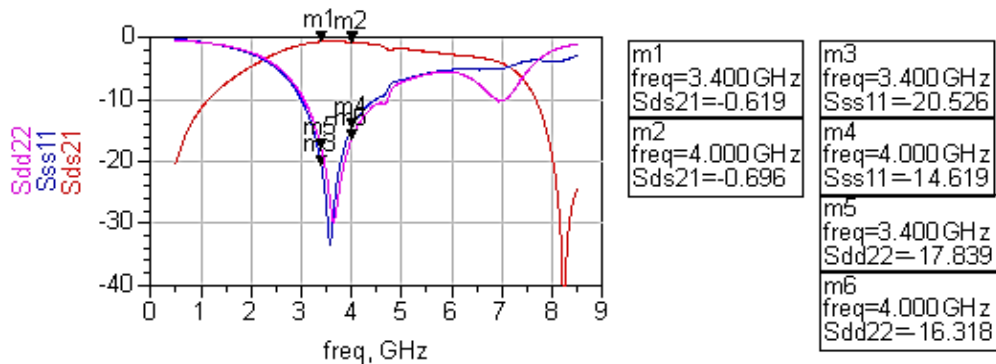
Mount these devices with colored mark facing up.

* Line width should be designed to provide 50ohm impedance matching characteristics.



Need our help laying this out for you? Need the layout file? Send us a message at: www.johansontechnology.com/component/techquestion

Typical Electrical Characteristics (T=25°C)



(Sds21) Insertion Loss / (Sss11) Return Loss SE / (Sdd22) Return Loss Differential

Johanson Technology, Inc. reserves the right to make design changes without notice.

All sales are subject to Johanson Technology, Inc. terms and conditions.



www.johansontechnology.com

4001 Calle Tecate • Camarillo, CA 93012, USA • TEL +1.805.389.1166

Ver 1.0

2014 Johanson Technology, Inc. All Rights Reserved

High Frequency Ceramic Solutions

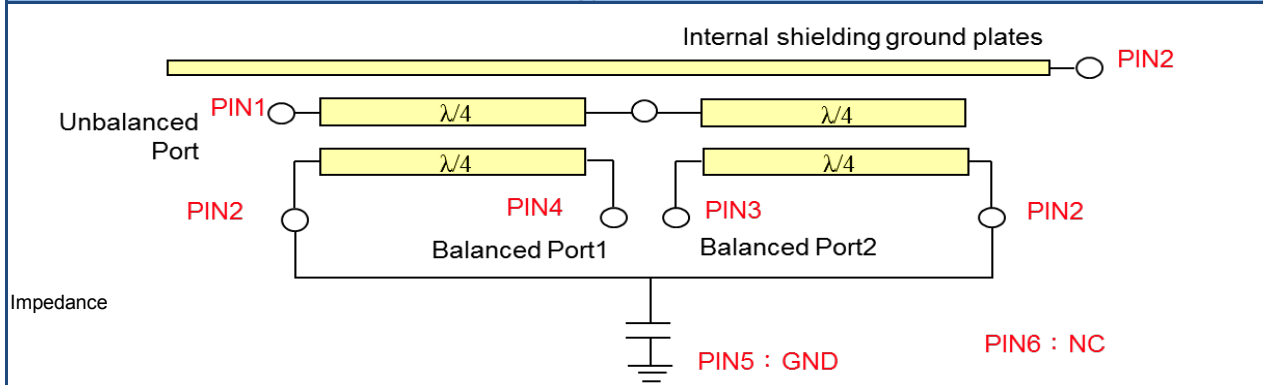
3700MHz (3.4-4GHz) 1:1 RF Balun EIA 0805, 6-Pin

P/N 3700BL15C0050

Detail Specification: 4/7/2016

Page 3 of 3

Internal Representative Schematic/Topology



More Filter-Balun info at:

<http://www.johansontechnology.com/rfbaluns>

Packaging information

www.johansontechnology.com/ipcpackaging.html

Soldering Information

www.johansontechnology.com/ipcsoldering-profile

MSL Info

www.johansontechnology.com/technical-notes/msl-rating.html

Recommended Storage Condition and Max Shelf Life

www.johansontechnology.com/ipcstorage-shelflife

RoHS Compliance

www.johansontechnology.com/technical-notes/rohs-compliance.html

Layout review services

<http://www.johansontechnology.com/component/techquestion>

Antenna layout review, tuning, and characterization services

www.johansontechnology.com/ipcantennaservices

Johanson Technology, Inc. reserves the right to make design changes without notice.

All sales are subject to Johanson Technology, Inc. terms and conditions.



www.johansontechnology.com

4001 Calle Tecate • Camarillo, CA 93012, USA • TEL +1.805.389.1166

Ver 1.0

2014 Johanson Technology, Inc. All Rights Reserved

Mouser Electronics

Authorized Distributor

Click to View Pricing, Inventory, Delivery & Lifecycle Information:

[Johanson:](#)

[3700BL15C0050E](#)