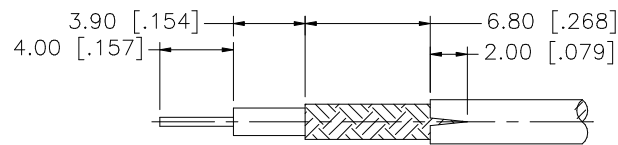
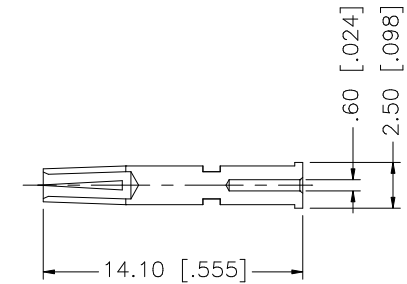
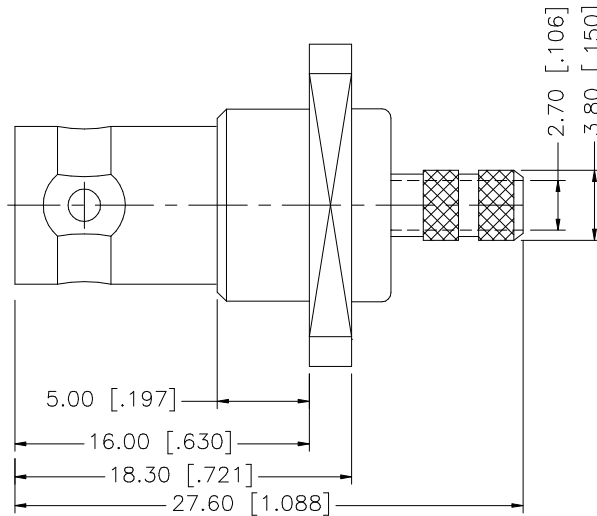
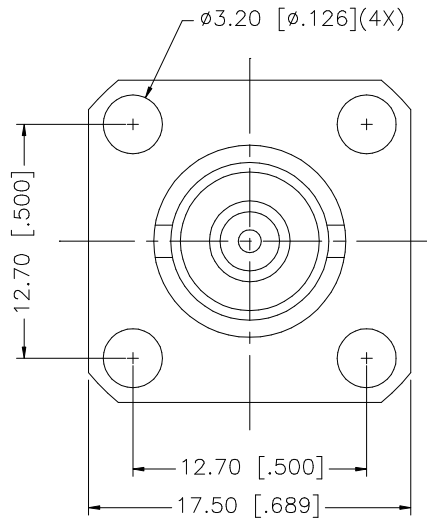
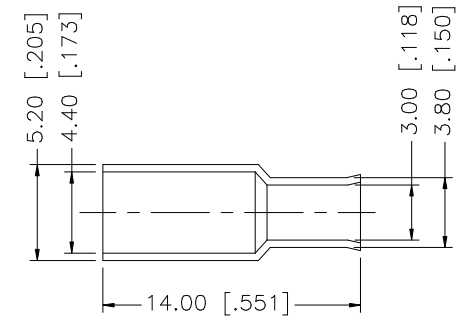
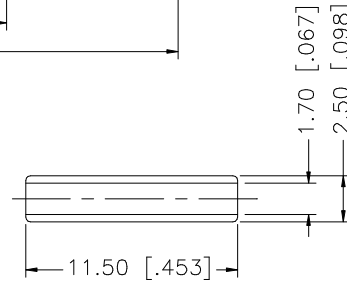


REV.	DATE	DESCRIPTION
NC	03/02/00	INITIAL RELEASE
A	11/13/06	UPDATE DRAWING FORMAT



RECOMMENDED
CABLE STRIPPING DIM'S



DESCRIPTION	MATERIAL	FINISH	QTY	
8				
7				
6				
5	FERRULE	BRASS	NICKEL	1
4	SLEEVE	DELTRIN	NATURAL	1
3	CONTACT PIN	BER. COPPER	GOLD	1
2	INSULATOR	TEFLON	NATURAL	1
1	BODY	BRASS	NICKEL	1

UNLESS OTHERWISE SPECIFIED DIMENSIONS ARE IN MILLIMETERS. DIMENSIONS IN [] ARE IN INCHES AND FOR CUSTOMER REFERENCE ONLY.

UNLESS OTHERWISE SPECIFIED TOLERANCES FOR MILLIMETERS ARE:
0.5 - 8mm ± 0.20mm
8 - 30mm ± 0.40mm
30 - 120mm ± 0.50mm

UNLESS OTHERWISE SPECIFIED TOLERANCES FOR INCHES ARE:
.020 - .315 = ± 0.007"
.315 - 1.180 = ± 0.015"
1.180 - 4.724 = ± 0.020"

DO NOT SCALE DRAWING

APPROVALS	DATE
DRAWN G.R.S.	11/13/06
CHECKED	
ISSUED	
SHEET 1 OF 1	
CAD FILE	C:/112/112288.DWG

Amphenol Connex

PART DESCRIPTION

BNC PANEL CRIMP JACK
(FOR RG-174/U, 188A, 316/U CABLE)

PART NO.

112288

DWG. NO.

112288.DWG

REV. A

SIZE A

SCALE NA

Mouser Electronics

Authorized Distributor

Click to View Pricing, Inventory, Delivery & Lifecycle Information:

[Amphenol:](#)

[112288](#)