

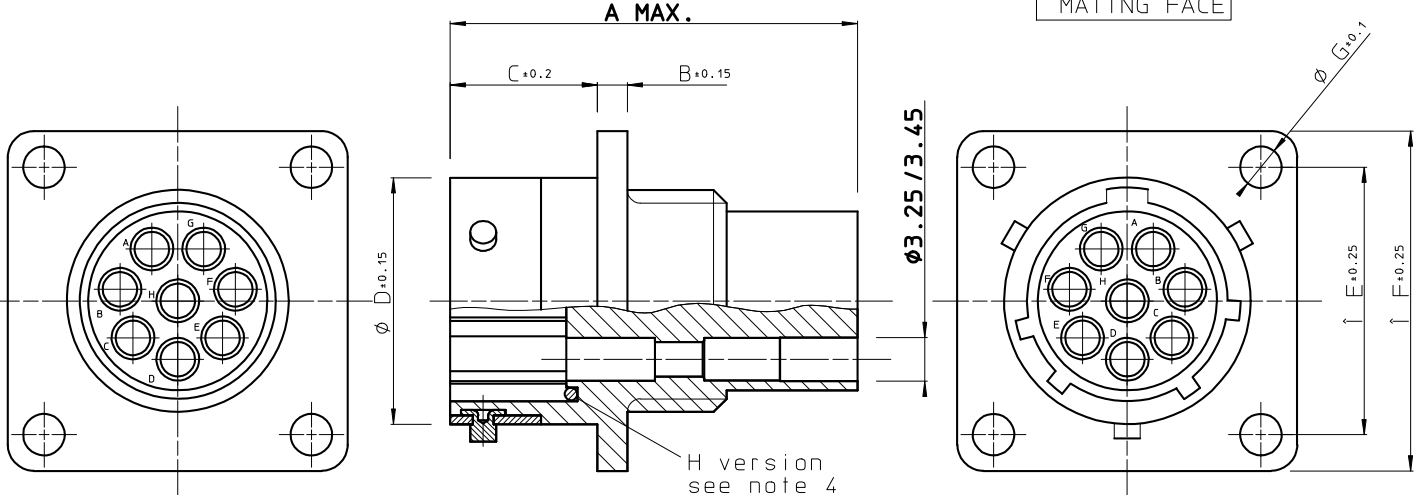
DIT IS ONZE EIGENDOM EN MAG NOCH INGEREKEN, HERBRUIKT, OVERGEMAAKT, AAN DEREN, NOCH VOOR FABRIKATIE GEBRUIKT WORDEN, ZONDER ONZE SCHRIFTELIJKE TOELATING. BIJ NIET GEBRUIK IS DE TERUGZENDING VERPLICHT.

THIS IS OUR EXCLUSIVE PROPERTY. IT IS NOT TO BE COPIED, REPRINTED, OR DISCLOSED TO A THIRD PARTY, NOR USED FOR MANUFACTURING WITHOUT OUR WRITTEN CONSENT, AND HAS TO BE RETURNED TO US IN CASE OF NO USAGE

REV.	DATE	DESCRIPTION	BY	C 'K' 'D'
02	17/03/94	CONVERSION ME10	J.G.	
03	10/03/99	Temperature range -55C instead of -25C	K.N.	
04	01/02/08	ADD MATERIAL OF O-SEAL FOR 'H' VERSION	R Ch	
05	21/01/10	ADD (H) VERSION IN THE TABLE	R Ch	

WIRING FACE

MATING FACE



CAT. NUMBER	A MAX.	B+0.15	C+0.2	Ø D+0.15	E+0.25	F+0.25	Ø G+0.1	Ø H+0.1	Ø J+0.1
UTG0104P(H)	31.7	2.3	11.3	15.0	18.3	23.8	3.2	17.3	15.1
UTG0125P(H)	31.7	2.3	11.3	19.0	20.6	26.2	3.2	21.8	18.2
UTG0128P(H)	31.7	2.3	11.3	19.0	20.6	26.2	3.2	21.8	18.2
UTG01412P(H)	31.7	2.3	11.3	22.2	23.0	28.6	3.2	25.0	21.4
UTG01619P(H)	31.7	2.3	11.3	25.3	24.6	31.0	3.2	28.1	24.6
UTG01823P(H)	31.7	2.5	11.3	28.5	26.9	33.1	3.2	31.3	27.8
UTG02028P(H)	33.3	2.5	14.5	31.7	29.4	36.5	3.2	34.5	30.9
UTG02235P(H)	33.3	3.5	14.4	34.9	31.6	39.3	3.2	37.7	34.1
UTG02448P(H)	33.3	3.5	15.3	38.0	34.9	42.9	3.9	40.9	37.3

UTG0128P AS SHOWN

**MATERIAL**

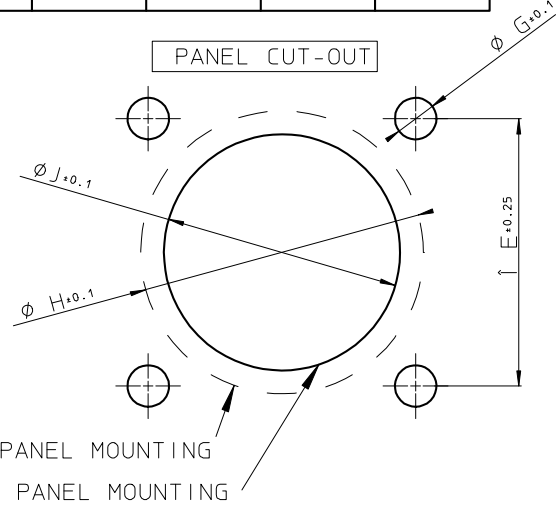
- BODY : GLASS-FILLED POLYESTER UL94-V0.  
COLOUR : BLACK.
- TRILOK RING : HIGH STRENGTH CuZn ALLOY, NICKEL PLATED.
- O-SEAL : NBR

**PERFORMANCE CHARACTERISTICS**

- OPERATING TEMPERATURE : -55 °C TO +125 °C.
- INSULATION RESISTANCE : 5000 MΩ MIN.
- TEST POTENTIAL : 2000 V EFF.

**NOTES**

- 1.CONNECTOR ACCEPTS # 16 STRIP FORMED, MACHINED AND SUBMINIATURE COAXIAL PIN AND SOCKET CONTACTS.
- 2.CONTACTS TO BE ORDERED SEPARATELY : REFER TO TRIM - TRIO CATALOG.
- 3.FOR OTHER INSERT ARRANGEMENTS SEE BS,C ,201458,000
- 4.FOR WATERPROTECTED VERSION: ADD "H" TO THE CAT.NO. E.G. CAT.NO.: UTG0128PH



BS, A , 201458, 001 05

GEN. ST.	01	02	03	04	05	06	07	08	0D	50	60	70	80	90																	
INT. ST.	10	11	12	13	14	18	20	31	32	33	34	38	39	40	42	43	44	45	46	48	56	70	72	73	75	76	81	82	83	84	88

1DEC ±0,2 1DEC 2DEC ±0,1 2DEC ANGLES ±1° HOEKEN	<b>APPR.</b>	<b>DATE</b>	<b>SIGN.</b>	<b>MALE RECEPTACLE</b>			
	DRAFT	7-6-91	M BUEDS	<b>CAT. No. UTG----P(H)</b>			
WE RESERVE THE RIGHT TO CHANGE DIMENSIONS OR REQUIREMENTS WITHOUT PRIOR NOTICE.	PROD. MGR.				SOURIAU		SCALE
	PR.ENG.MGR.				Route Nationale 23		
ALL DIMENSIONS IN MM	PR.MGT.MGR.			72470 CHAMPAGNE			
	<b>REFERENCES / REFERENTIES</b>			BS, A , 201458, 001 05			
ALLE AFMETINGEN IN MM	DRAWING NR.			CUSTOMER DRAWING		REVISION	

NOT EXPORT CONTROLLED

# Mouser Electronics

Authorized Distributor

Click to View Pricing, Inventory, Delivery & Lifecycle Information:

## Souriau:

[UTG0104SH](#) [UTG012-8PH](#) [UTG020-28P](#) [UTG022-35PH](#) [UTG010-4S](#) [UTG024-48P](#) [UTG010-4P](#) [UTG0104PH](#)  
[UTG014-12P](#) [UTG012-8P](#) [UTG016-19PH](#) [UTG018-23P](#) [UTG01412PH](#) [UTG01823PH](#) [UTG016-19P](#) [UTG022-35P](#)  
[UTG02028PH](#) [UTG02448PH](#)