

IEC Appliance Inlet C14 or C18 with Filter, ECO design, Front- or Rear Side Mounting



Snap-in mounting
from front side



Front side mounting with plastic flange



Snap-in 2 - 3 mm
with wires (stranded)



See below:
[Approvals and Compliances](#)

Description

- Panel mount :
Screw-on version from front or rear side, snap-in version from front side, PCB Version from rear side
- 2 Functions :
Appliance Inlet protection class I or II , Line filter in standard and medical version
- Solder/quick connect/wire (stranded)
- PCB
- Earth Terminal

Unique Selling Proposition

- V-Lock cord retaining
- Metal flange for optimal shielding
- Compact design
- Variants for protection class I and II

Characteristics

- Compact high performance filter
- Optimal shielding due to completely closed filter case, unpotted
- Suitable for assembly in metal plated plastic housings
- Suitable for use in medical equipment according to IEC/UL 60601-1
- For applications according IEC/UL 62368-1 we recommend variants with bleed resistor

Other versions on request

- Snap-in for panel thickness >2mm to 3mm
- flexible wire with various lengths
- Class X1- and Y1-capacitors for enhanced withstand voltage
- Medical Version (M80)

References

Alternative: version without line filter [6100-3](#); [6100-4](#); [6102-3](#); [6102-5](#)

Weblinks

[pdf data sheet](#), [html datasheet](#), [General Product Information](#), [Approvals](#), [Distributor-Stock-Check](#), [Accessories](#), [Detailed request for product](#)

Technical Data

| | |
|---------------------------------|--|
| Ratings IEC | 1 - 10A @ Ta 40 °C / 250 VAC; 50Hz |
| Ratings UL/CSA | 1 - 15A @ Ta 40 °C / 250 VAC; 60Hz |
| Leakage Current | standard < 0.5 mA (250V / 60Hz) medical < 5 µA (250 V / 60 Hz) |
| Dielectric Strength | > 1.7 kVDC between L-N > 2.7 kVDC between L/N-PE Test voltage (2 sec) |
| Allowable Operation Temperature | -25 °C to 85 °C |
| Climatic Category | 25/085/21 acc. to IEC 60068-1 |
| IP-Protection | from front side IP40 acc. to IEC 60529 |
| Protection Class | Suitable for appliances with protection class I or II acc. to IEC 61140 |
| Terminal | Quick connect terminals 6.3 x 0.8 mm Solder terminals Flexible wire AWG18 (15A AWG16), 150 mm |
| Panel Thickness S | Screw with plastic flange: max 8 mm Mounting screw torque max 0.5 Nm Snap-in: 0.8 mm to 2 mm (all steps with one variant) |
| Material: Housing | Themoplast / steel tin-plated, black / metallic, UL 94V-0 |

| | |
|-------------------------|--|
| Appliance inlet/-outlet | C14 / C18 acc. to IEC 60320-1, UL 498, CSA C22.2 no. 42 (for cold conditions) pin-temperature 70 °C, 10A, Protection Class I or II |
| Line Filter | Standard and Medical Version, IEC 60939, UL 1283, CSA C22.2 no. 8 Technical Details |
| MTBF | > 3'000'000 h acc. to MIL-HB-217 F |

Approvals and Compliances




Detailed information on product approvals, code requirements, usage instructions and detailed test conditions can be looked up in [Details about Approvals](#)

SCHURTER products are designed for use in industrial environments. They have approvals from independent testing bodies according to national and international standards. Products with specific characteristics and requirements such as required in the automotive sector according to IATF 16949, medical technology according to ISO 13485 or in the aerospace industry can be offered exclusively with customer-specific, individual agreements by SCHURTER.

Approvals







The approval mark is used by the testing authorities to certify compliance with the safety requirements placed on electronic products.

Approval Reference Type: 5120

| Approval Logo | Certificates | Certification Body | Description |
|--|-------------------------------|--------------------|--|
|  | VDE Approvals | VDE | Certificate Number: 40016382 |
|  | UL Approvals | UL | UL File Number: E72928 |
|  | CQC Approvals | CQC | CQC Certificate Number: CQC18001194610 |



Product standards

Product standards that are referenced

| Organization | Design | Standard | Description |
|--|-----------------------|------------------|---|
|  | Designed according to | IEC 60320-1 | Appliance couplers for household and similar general purposes |
|  | Designed according to | IEC 60939 | Passive filters for suppressing electromagnetic interference |
|  | Designed according to | UL 498 | Standard for Attachment Plugs and Receptacles |
|  | Designed according to | UL 1283 | Electromagnetic interference filters |
|  | Designed according to | CSA C22.2 no. 42 | General Use Receptacles, Attachment Plugs, and Similar Wiring Devices |
|  | Designed according to | CSA C22.2 no. 8 | Electromagnetic interference (EMI) filters |







Application standards

Application standards where the product can be used

| Organization | Design | Standard | Description |
|--|--------------------------------|----------------|--|
|  | Designed for applications acc. | IEC/UL 62368-1 | IEC 62368-1 includes the basic requirements for safety of audio, video, information technology and office equipment. |
|  | Designed for applications acc. | IEC 60601-1 | Medical electrical equipment - Part 1: General requirements for basic safety and essential performance |

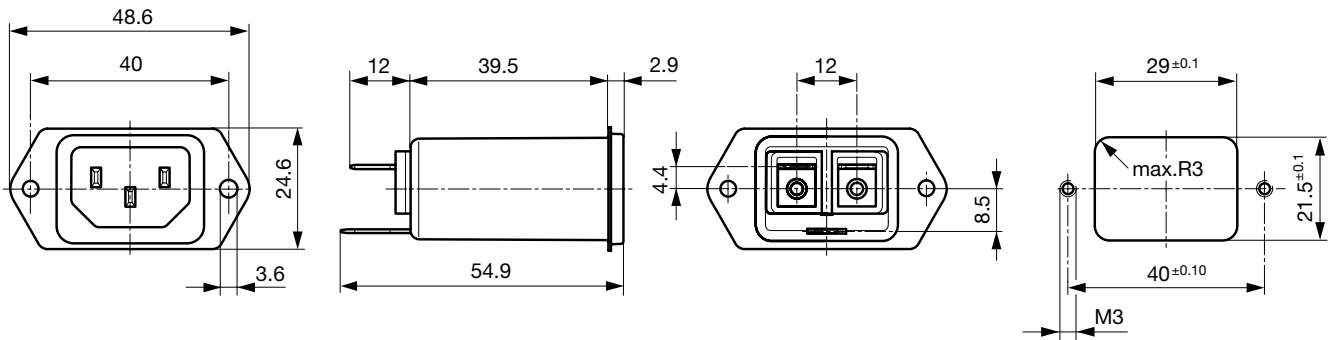
Compliances

The product complies with following Guide Lines

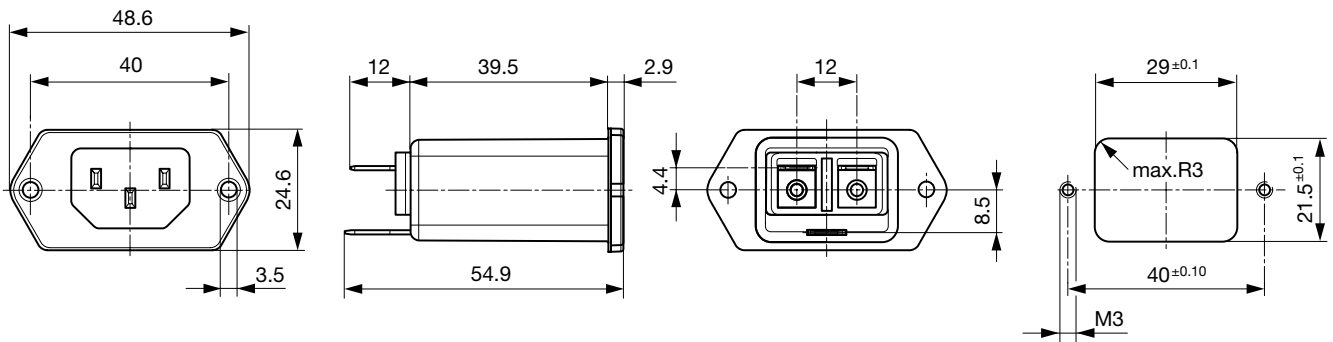
| Identification | Details | Initiator | Description |
|--|--|-------------|--|
|  | CE declaration of conformity | SCHURTER AG | The CE marking declares that the product complies with the applicable requirements laid down in the harmonisation of Community legislation on its affixing in accordance with EU Regulation 765/2008. |
|  | RoHS | SCHURTER AG | Directive RoHS 2011/65/EU, Amendment (EU) 2015/863 |
|  | China RoHS | SCHURTER AG | The law SJ / T 11363-2006 (China RoHS) has been in force since 1 March 2007. It is similar to the EU directive RoHS. |
|  | REACH | SCHURTER AG | On 1 June 2007, Regulation (EC) No 1907/2006 on the Registration, Evaluation, Authorization and Restriction of Chemicals 1 (abbreviated as "REACH") entered into force. |
|  | | SCHURTER AG | V-Lock system are based on a matching plug-dose combination. The connector is equipped with a notch intended for use with the latching cordset. The cord latching system prevents against accidental removal of the cordset. |
|  | Medical Equipment | SCHURTER AG | Suitable for use in medical equipment according to IEC/UL 60601-1 |

Dimension [mm]

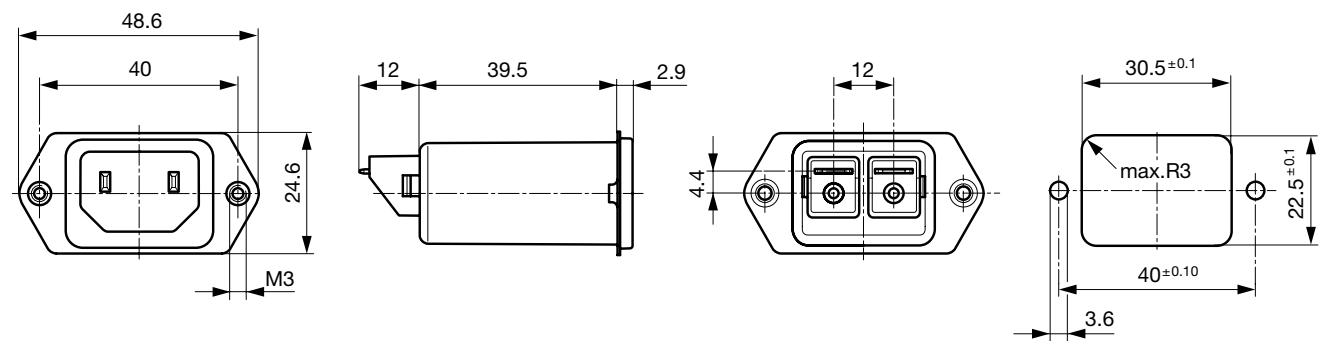
Front or rear side mounting for screws with nuts or blind rivets (panel cutout for frontside mounting)



Front side mounting with plastic flange

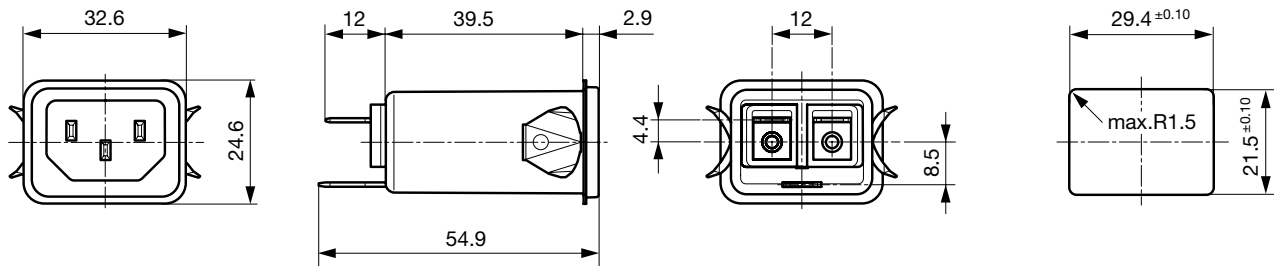


Rear side mounting with pre-formed, threaded holes for M3 screws (panel cutout for rear side mounting)



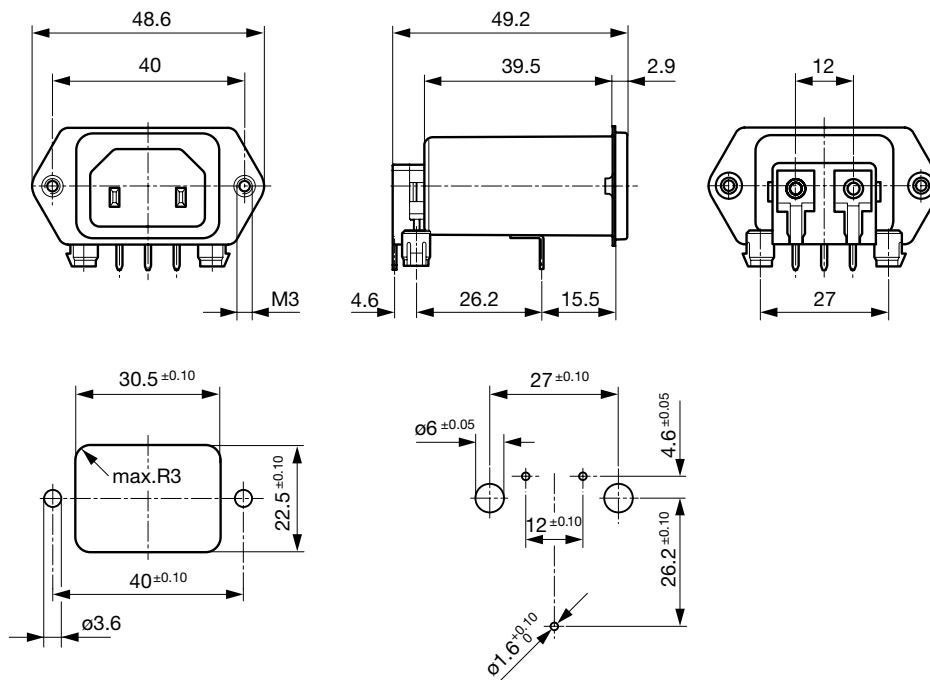
Dimensions for class II version also apply to class I

Snap-in mounting from front side

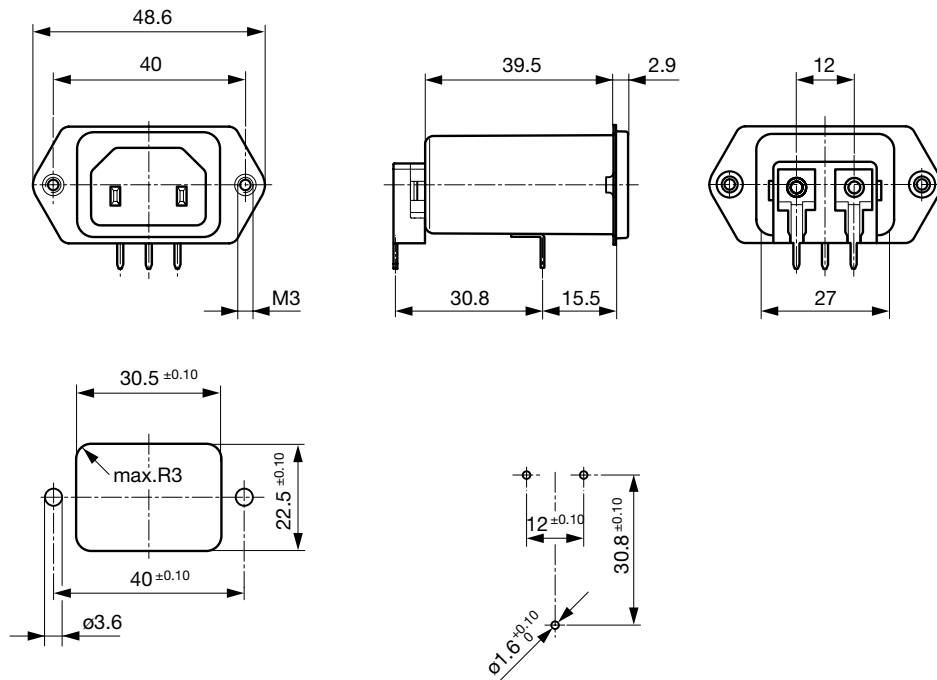


Dimensions for class I version also apply class II

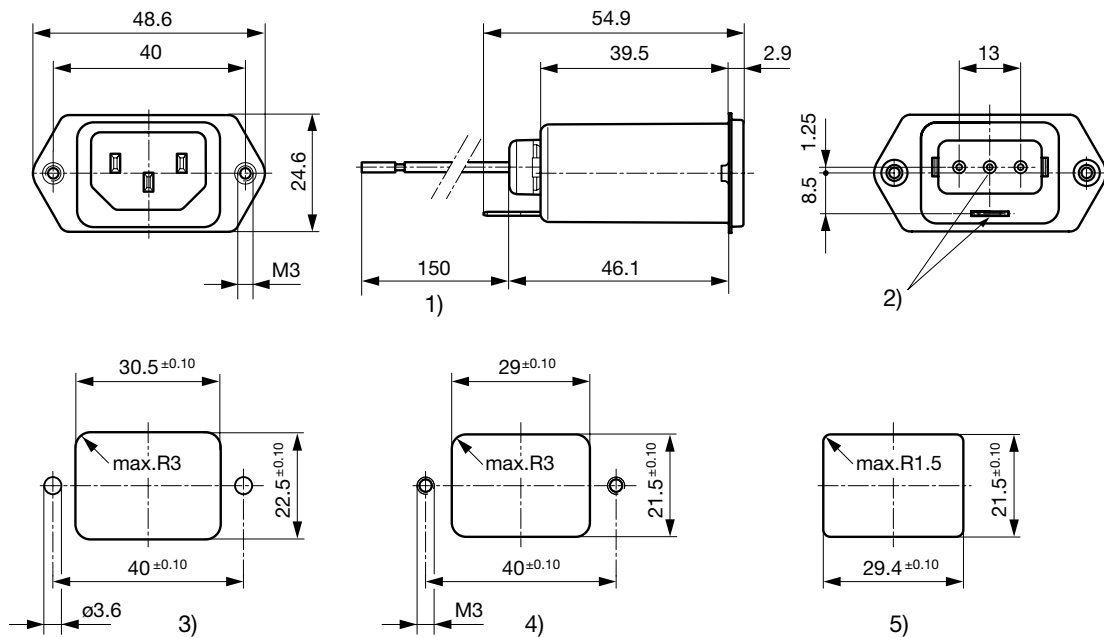
PCB snap-in rear side mounting, protection class II



PCB rear side mounting, protection class II



Screw and snap-in mounting with flexible wire



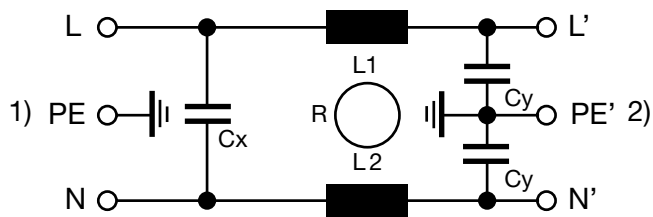
- 1) Flexible wire, standard length 150 mm or special length on request
- 2) Nonexistent for protection class II
- 3) Panel cut-out screw-on version, back-side mounting
- 4) Panel cut-out screw-on version, front- or back-side mounting
- 5) Panel cut-out snap-in version, front-side mounting

Technical Data of Filter-Components

| Rated Current [A] | Filter-Type | Inductances L [mH] | Capacitance CX [nF] | Capacitance CY [nF] | R [MΩ] |
|-------------------|------------------------|--------------------|---------------------|---------------------|--------|
| 1 | Standard version | 2 x 12 | 100 | 2.2 | - |
| 2 | Standard version | 2 x 5.2 | 100 | 2.2 | - |
| 4 | Standard version | 2 x 2 | 100 | 2.2 | - |
| 6 | Standard version | 2 x 0.8 | 100 | 2.2 | - |
| 10 | Standard version | 2 x 0.4 | 100 | 2.2 | - |
| 15 | Standard version | 2 x 0.1 | 100 | 2.2 | - |
| 1 | Medical Version (M5) | 2 x 12 | 100 | - | 1 |
| 2 | Medical Version (M5) | 2 x 5.2 | 100 | - | 1 |
| 4 | Medical Version (M5) | 2 x 2 | 100 | - | 1 |
| 6 | Medical Version (M5) | 2 x 0.8 | 100 | - | 1 |
| 10 | Medical Version (M5) | 2 x 0.4 | 100 | - | 1 |
| 15 | Medical Version (M5) | 2 x 0.1 | 100 | - | 1 |
| 1 | Bleed Resistor Version | 2 x 12 | 100 | 2.2 | 1 |
| 2 | Bleed Resistor Version | 2 x 5.2 | 100 | 2.2 | 1 |
| 4 | Bleed Resistor Version | 2 x 2 | 100 | 2.2 | 1 |
| 6 | Bleed Resistor Version | 2 x 0.8 | 100 | 2.2 | 1 |
| 10 | Bleed Resistor Version | 2 x 0.4 | 100 | 2.2 | 1 |
| 15 | Bleed Resistor Version | 2 x 0.1 | 100 | 2.2 | 1 |

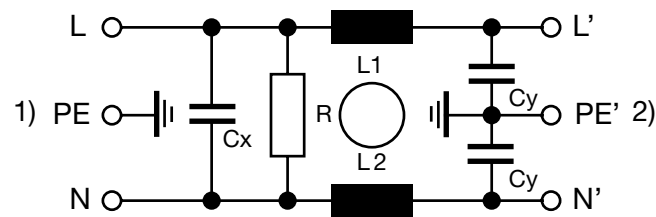
Diagrams

Standard version



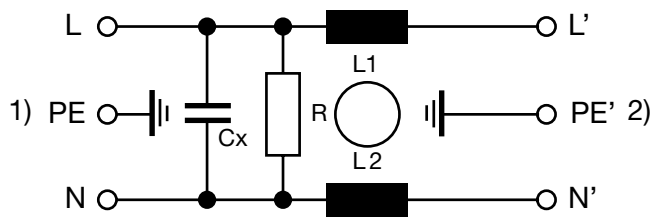
1) Line
2) Load

Bleed resistor version / medical version M80



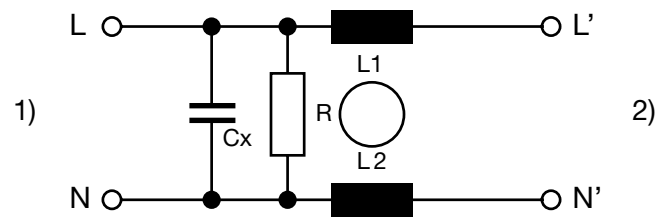
1) Line
2) Load

Medical Version (M5)



1) Line
2) Load

Medicalversion (M5), Protection Class II

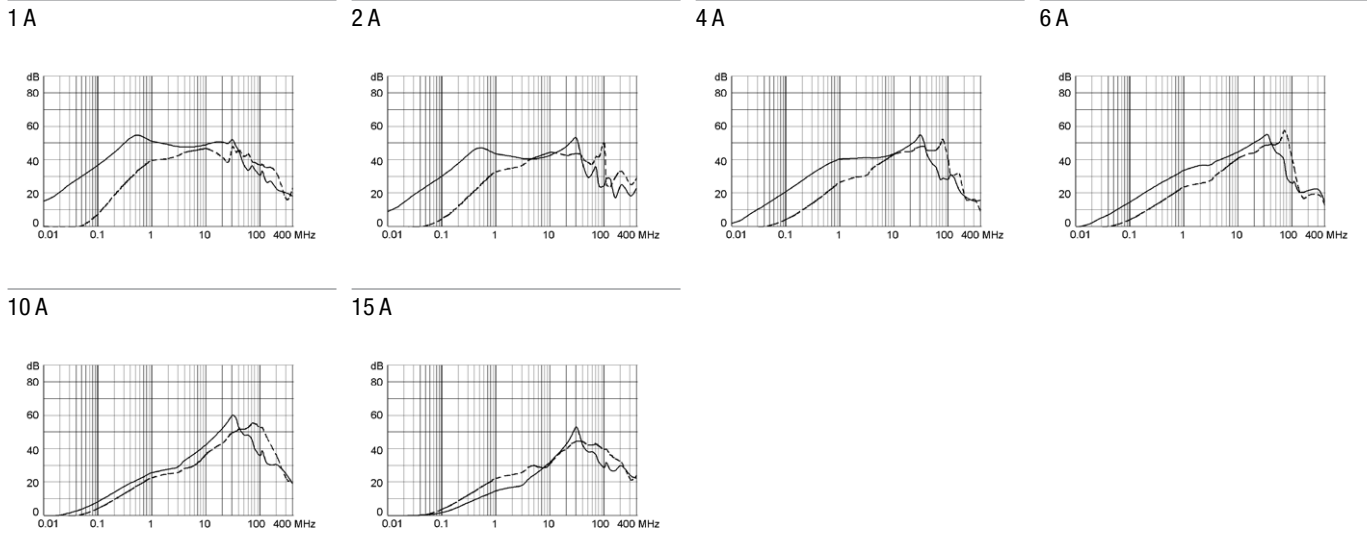


1) Line
2) Load

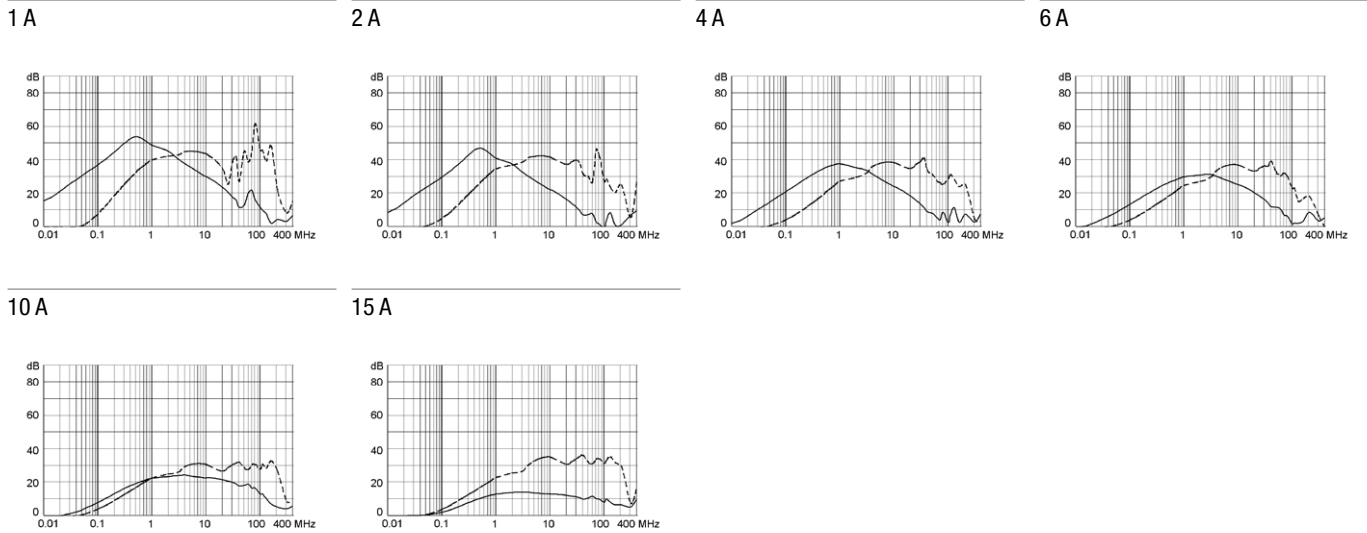
Attenuation Loss

--- 50Ω differential mode ____ 50Ω common mode

Standard version



Medical version (M5)



All Variants

| Rated Current [A] | Filter-Type | Mounting | Mounting side | Terminal | Protection Class | V-Lock | Order Number |
|-------------------|------------------|------------------|---------------|---------------------------------------|------------------|--------|-----------------------------|
| 6 | Standard version | Snap-in 2 - 3 mm | Front Side | Flexible wire AWG18 | I | ● | 5120.3034.0 |
| 1 | Standard version | Snap-in | Front Side | Quick connect terminals 6.3 x 0.8 mm | I | ● | 5120.2000.0 |
| 2 | Standard version | Snap-in | Front Side | Quick connect terminals 6.3 x 0.8 mm | I | ● | 5120.2001.0 |
| 4 | Standard version | Snap-in | Front Side | Quick connect terminals 6.3 x 0.8 mm | I | ● | 5120.2003.0 |
| 6 | Standard version | Snap-in | Front Side | Quick connect terminals 6.3 x 0.8 mm | I | ● | 5120.2004.0 |
| 10 | Standard version | Snap-in | Front Side | Quick connect terminals 6.3 x 0.8 mm | I | ● | 5120.2006.0 |
| 10 | Standard version | Snap-in | Front Side | Flexible wire and Earth pin 6.3 x 0.8 | I | ● | 5120.2046.0 |

| Rated Current [A] | Filter-Type | Mounting | Mounting side | Terminal | Protection Class | V-Lock | Order Number |
|-------------------|------------------|------------------------------------|------------------|--------------------------------------|------------------|--------|--------------|
| 15 | Standard version | Snap-in | Front Side | Quick connect terminals 6.3 x 0.8 mm | I | ● | 5120.2007.0 |
| 1 | Standard version | Screw/Soldering on PCB | Rear Side | PCB pin and earth pin 6.3 x 0.8 | I | ● | 5120.4070.0 |
| 2 | Standard version | Screw/Soldering on PCB | Rear Side | PCB pin and earth pin 6.3 x 0.8 | I | ● | 5120.4071.0 |
| 4 | Standard version | Screw/Soldering on PCB | Rear Side | PCB pin and earth pin 6.3 x 0.8 | I | ● | 5120.4073.0 |
| 6 | Standard version | Screw/Soldering on PCB | Rear Side | PCB pin and earth pin 6.3 x 0.8 | I | ● | 5120.4074.0 |
| 10 | Standard version | Screw/Soldering on PCB | Rear Side | PCB pin and earth pin 6.3 x 0.8 | I | ● | 5120.4076.0 |
| 15 | Standard version | Screw/Soldering on PCB | Rear Side | PCB pin and earth pin 6.3 x 0.8 | I | ● | 5120.4077.0 |
| 1 | Standard version | Screw/Soldering and Snap-in on PCB | Rear Side | PCB pin and earth pin 6.3 x 0.8 | I | ● | 5120.5070.0 |
| 2 | Standard version | Screw/Soldering and Snap-in on PCB | Rear Side | PCB pin and earth pin 6.3 x 0.8 | I | ● | 5120.5071.0 |
| 4 | Standard version | Screw/Soldering and Snap-in on PCB | Rear Side | PCB pin and earth pin 6.3 x 0.8 | I | ● | 5120.5073.0 |
| 6 | Standard version | Screw/Soldering and Snap-in on PCB | Rear Side | PCB pin and earth pin 6.3 x 0.8 | I | ● | 5120.5074.0 |
| 10 | Standard version | Screw/Soldering and Snap-in on PCB | Rear Side | PCB pin and earth pin 6.3 x 0.8 | I | ● | 5120.5076.0 |
| 15 | Standard version | Screw/Soldering and Snap-in on PCB | Rear Side | PCB pin and earth pin 6.3 x 0.8 | I | ● | 5120.5077.0 |
| 1 | Standard version | Screw-on/Rivet | Front-/Rear-Side | Quick connect terminals 6.3 x 0.8 mm | I | ● | 5120.0000.0 |
| 1 | Standard version | Screw-on/Rivet | Front-/Rear-Side | Solder terminals | I | ● | 5120.0010.0 |
| 2 | Standard version | Screw-on/Rivet | Front-/Rear-Side | Quick connect terminals 6.3 x 0.8 mm | I | ● | 5120.0001.0 |
| 4 | Standard version | Screw-on/Rivet | Front-/Rear-Side | Quick connect terminals 6.3 x 0.8 mm | I | ● | 5120.0003.0 |
| 6 | Standard version | Screw-on/Rivet | Front-/Rear-Side | Quick connect terminals 6.3 x 0.8 mm | I | ● | 5120.0004.0 |
| 10 | Standard version | Screw-on/Rivet | Front-/Rear-Side | Quick connect terminals 6.3 x 0.8 mm | I | ● | 5120.0006.0 |
| 15 | Standard version | Screw-on/Rivet | Front-/Rear-Side | Quick connect terminals 6.3 x 0.8 mm | I | ● | 5120.0007.0 |
| 15 | Standard version | Screw-on/Rivet | Front-/Rear-Side | Flexible wire AWG16 | I | ● | 5120.0057.0 |
| 1 | Standard version | Screw with plastic flange | Front Side | Quick connect terminals 6.3 x 0.8 mm | I | ● | 3-101-140 |
| 2 | Standard version | Screw with plastic flange | Front Side | Quick connect terminals 6.3 x 0.8 mm | I | ● | 3-101-141 |
| 4 | Standard version | Screw with plastic flange | Front Side | Quick connect terminals 6.3 x 0.8 mm | I | ● | 3-101-142 |
| 6 | Standard version | Screw with plastic flange | Front Side | Quick connect terminals 6.3 x 0.8 mm | I | ● | 3-101-143 |
| 10 | Standard version | Screw with plastic flange | Front Side | Quick connect terminals 6.3 x 0.8 mm | I | ● | 3-100-776 |
| 15 | Standard version | Screw with plastic flange | Front Side | Quick connect terminals 6.3 x 0.8 mm | I | ● | 3-101-144 |
| 1 | Standard version | Screw | Rear Side | Quick connect terminals 6.3 x 0.8 mm | I | ● | 5120.1000.0 |
| 2 | Standard version | Screw | Rear Side | Quick connect terminals 6.3 x 0.8 mm | I | ● | 5120.1001.0 |
| 4 | Standard version | Screw | Rear Side | Quick connect terminals 6.3 x 0.8 mm | I | ● | 5120.1003.0 |

| Rated Current [A] | Filter-Type | Mounting | Mounting side | Terminal | Protection Class | V-Lock | Order Number |
|-------------------|----------------------|------------------------------------|------------------|---------------------------------------|------------------|--------|-----------------------------|
| 6 | Standard version | Screw | Rear Side | Quick connect terminals 6.3 x 0.8 mm | I | ● | 5120.1004.0 |
| 10 | Standard version | Screw | Rear Side | Quick connect terminals 6.3 x 0.8 mm | I | ● | 5120.1006.0 |
| 10 | Standard version | Screw | Rear Side | Flexible wire and Earth pin 6.3 x 0.8 | I | ● | 5120.1046.0 |
| 15 | Standard version | Screw | Rear Side | Quick connect terminals 6.3 x 0.8 mm | I | ● | 5120.1007.0 |
| 1 | Medical Version (M5) | Snap-in | Front Side | Quick connect terminals 6.3 x 0.8 mm | I | ● | 5120.2300.0 |
| 2 | Medical Version (M5) | Snap-in | Front Side | Quick connect terminals 6.3 x 0.8 mm | I | ● | 5120.2301.0 |
| 4 | Medical Version (M5) | Snap-in | Front Side | Quick connect terminals 6.3 x 0.8 mm | I | ● | 5120.2303.0 |
| 6 | Medical Version (M5) | Snap-in | Front Side | Quick connect terminals 6.3 x 0.8 mm | I | ● | 5120.2304.0 |
| 10 | Medical Version (M5) | Snap-in | Front Side | Quick connect terminals 6.3 x 0.8 mm | I | ● | 5120.2306.0 |
| 15 | Medical Version (M5) | Snap-in | Front Side | Quick connect terminals 6.3 x 0.8 mm | I | ● | 5120.2307.0 |
| 4 | Medical Version (M5) | Screw/Soldering on PCB | Rear Side | PCB pin and earth pin 6.3 x 0.8 | I | ● | 5120.4373.0 |
| 6 | Medical Version (M5) | Screw/Soldering on PCB | Rear Side | PCB pin and earth pin 6.3 x 0.8 | I | ● | 5120.4374.0 |
| 4 | Medical Version (M5) | Screw/Soldering and Snap-in on PCB | Rear Side | PCB pin and earth pin 6.3 x 0.8 | I | ● | 5120.5373.0 |
| 6 | Medical Version (M5) | Screw/Soldering and Snap-in on PCB | Rear Side | PCB pin and earth pin 6.3 x 0.8 | I | ● | 5120.5374.0 |
| 1 | Medical Version (M5) | Screw-on/Rivet | Front-/Rear-Side | Quick connect terminals 6.3 x 0.8 mm | I | ● | 5120.0300.0 |
| 2 | Medical Version (M5) | Screw-on/Rivet | Front-/Rear-Side | Quick connect terminals 6.3 x 0.8 mm | I | ● | 5120.0301.0 |
| 4 | Medical Version (M5) | Screw-on/Rivet | Front-/Rear-Side | Quick connect terminals 6.3 x 0.8 mm | I | ● | 5120.0303.0 |
| 4 | Medical Version (M5) | Screw-on/Rivet | Front-/Rear-Side | Flexible wire and Earth pin 6.3 x 0.8 | I | ● | 5120.0343.0 |
| 6 | Medical Version (M5) | Screw-on/Rivet | Front-/Rear-Side | Quick connect terminals 6.3 x 0.8 mm | I | ● | 5120.0304.0 |
| 10 | Medical Version (M5) | Screw-on/Rivet | Front-/Rear-Side | Quick connect terminals 6.3 x 0.8 mm | I | ● | 5120.0306.0 |
| 15 | Medical Version (M5) | Screw-on/Rivet | Front-/Rear-Side | Quick connect terminals 6.3 x 0.8 mm | I | ● | 5120.0307.0 |
| 1 | Medical Version (M5) | Screw with plastic flange | Front Side | Quick connect terminals 6.3 x 0.8 mm | I | ● | 3-101-145 |
| 2 | Medical Version (M5) | Screw with plastic flange | Front Side | Quick connect terminals 6.3 x 0.8 mm | I | ● | 3-101-146 |
| 4 | Medical Version (M5) | Screw with plastic flange | Front Side | Quick connect terminals 6.3 x 0.8 mm | I | ● | 3-100-794 |
| 6 | Medical Version (M5) | Screw with plastic flange | Front Side | Quick connect terminals 6.3 x 0.8 mm | I | ● | 3-101-147 |
| 10 | Medical Version (M5) | Screw with plastic flange | Front Side | Quick connect terminals 6.3 x 0.8 mm | I | ● | 3-101-148 |
| 15 | Medical Version (M5) | Screw with plastic flange | Front Side | Quick connect terminals 6.3 x 0.8 mm | I | ● | 3-101-149 |
| 1 | Medical Version (M5) | Screw | Rear Side | Quick connect terminals 6.3 x 0.8 mm | I | ● | 5120.1300.0 |

| Rated Current [A] | Filter-Type | Mounting | Mounting side | Terminal | Protection Class | V-Lock | Order Number |
|-------------------|------------------------|------------------------------------|------------------|---------------------------------------|------------------|--------|--------------|
| 2 | Medical Version (M5) | Screw | Rear Side | Quick connect terminals 6.3 x 0.8 mm | I | ● | 5120.1301.0 |
| 4 | Medical Version (M5) | Screw | Rear Side | Quick connect terminals 6.3 x 0.8 mm | I | ● | 5120.1303.0 |
| 6 | Medical Version (M5) | Screw | Rear Side | Quick connect terminals 6.3 x 0.8 mm | I | ● | 5120.1304.0 |
| 10 | Medical Version (M5) | Screw | Rear Side | Quick connect terminals 6.3 x 0.8 mm | I | ● | 5120.1306.0 |
| 10 | Medical Version (M5) | Screw | Rear Side | Flexible wire and Earth pin 6.3 x 0.8 | I | ● | 5120.1346.0 |
| 15 | Medical Version (M5) | Screw | Rear Side | Quick connect terminals 6.3 x 0.8 mm | I | ● | 5120.1307.0 |
| 1 | Medical Version (M5) | Snap-in | Front Side | Quick connect terminals 6.3 x 0.8 mm | II | ● | 5120.2300.1 |
| 2 | Medical Version (M5) | Snap-in | Front Side | Quick connect terminals 6.3 x 0.8 mm | II | ● | 5120.2301.1 |
| 4 | Medical Version (M5) | Snap-in | Front Side | Quick connect terminals 6.3 x 0.8 mm | II | ● | 5120.2303.1 |
| 6 | Medical Version (M5) | Snap-in | Front Side | Quick connect terminals 6.3 x 0.8 mm | II | ● | 5120.2304.1 |
| 10 | Medical Version (M5) | Snap-in | Front Side | Quick connect terminals 6.3 x 0.8 mm | II | ● | 5120.2306.1 |
| 15 | Medical Version (M5) | Snap-in | Front Side | Quick connect terminals 6.3 x 0.8 mm | II | ● | 5120.2307.1 |
| 4 | Medical Version (M5) | Screw/Soldering on PCB | Rear Side | PCB pin and earth pin 6.3 x 0.8 | II | ● | 5120.4373.1 |
| 6 | Medical Version (M5) | Screw/Soldering on PCB | Rear Side | PCB pin and earth pin 6.3 x 0.8 | II | ● | 5120.4374.1 |
| 4 | Medical Version (M5) | Screw/Soldering and Snap-in on PCB | Rear Side | PCB pin and earth pin 6.3 x 0.8 | II | ● | 5120.5373.1 |
| 6 | Medical Version (M5) | Screw/Soldering and Snap-in on PCB | Rear Side | PCB pin and earth pin 6.3 x 0.8 | II | ● | 5120.5374.1 |
| 10 | Medical Version (M5) | Screw/Soldering and Snap-in on PCB | Rear Side | PCB pin and earth pin 6.3 x 0.8 | II | ● | 5120.5376.1 |
| 2 | Medical Version (M5) | Screw-on/Rivet | Front-/Rear-Side | Quick connect terminals 6.3 x 0.8 mm | II | ● | 5120.0301.1 |
| 4 | Medical Version (M5) | Screw-on/Rivet | Front-/Rear-Side | Quick connect terminals 6.3 x 0.8 mm | II | ● | 5120.0303.1 |
| 6 | Medical Version (M5) | Screw-on/Rivet | Front-/Rear-Side | Quick connect terminals 6.3 x 0.8 mm | II | ● | 5120.0304.1 |
| 10 | Medical Version (M5) | Screw-on/Rivet | Front-/Rear-Side | Solder terminals | II | ● | 5120.0316.1 |
| 1 | Medical Version (M5) | Screw | Rear Side | Quick connect terminals 6.3 x 0.8 mm | II | ● | 5120.1300.1 |
| 2 | Medical Version (M5) | Screw | Rear Side | Quick connect terminals 6.3 x 0.8 mm | II | ● | 5120.1301.1 |
| 2 | Medical Version (M5) | Screw | Rear Side | Solder terminals | II | ● | 5120.1311.1 |
| 4 | Medical Version (M5) | Screw | Rear Side | Quick connect terminals 6.3 x 0.8 mm | II | ● | 5120.1303.1 |
| 6 | Medical Version (M5) | Screw | Rear Side | Quick connect terminals 6.3 x 0.8 mm | II | ● | 5120.1304.1 |
| 10 | Medical Version (M5) | Screw | Rear Side | Quick connect terminals 6.3 x 0.8 mm | II | ● | 5120.1306.1 |
| 2 | Bleed Resistor Version | Snap-in | Front Side | Quick connect terminals 6.3 x 0.8 mm | I | ● | 5120.2201.0 |
| 4 | Bleed Resistor Version | Snap-in | Front Side | Quick connect terminals 6.3 x 0.8 mm | I | ● | 5120.2203.0 |

| Rated Current [A] | Filter-Type | Mounting | Mounting side | Terminal | Protection Class | V-Lock | Order Number |
|-------------------|------------------------|----------------|------------------|--------------------------------------|------------------|--------|--------------|
| 6 | Bleed Resistor Version | Snap-in | Front Side | Quick connect terminals 6.3 x 0.8 mm | I | ● | 5120.2204.0 |
| 10 | Bleed Resistor Version | Snap-in | Front Side | Quick connect terminals 6.3 x 0.8 mm | I | ● | 5120.2206.0 |
| 15 | Bleed Resistor Version | Snap-in | Front Side | Quick connect terminals 6.3 x 0.8 mm | I | ● | 5120.2207.0 |
| 10 | Bleed Resistor Version | Screw-on/Rivet | Front-/Rear-Side | Solder terminals | I | ● | 5120.0216.0 |

Most Popular.

Availability for all products can be searched real-time: <https://www.schurter.com/en/Stock-Check/Stock-Check-SCHURTER>

- 15 A version only according UL/CSA

- Type for screw-on mounting from rear side has pre-threaded holes for M3 screws

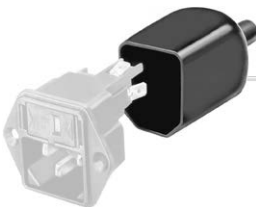
Packaging unit 10 Pcs

Accessories

Description



Wire Harness
 Wire harness for SCHURTER products



Assorted Covers
 Rear Cover

0859.0048



RC320
 Rear Cover for Power Entry Module



Cord retaining kits
 Cord retaining strain relief

Flat head, E 4700.0005
 Flat head, G 4700.0007

Mating Outlets/Connectors

Category / Description

[Appliance Outlet Overview complete](#)

| | |
|---|------|
| 4787, Mounting: Screw-on mounting, Appliance Outlet: IEC Solder terminals, 10 A, Suitable for appliances with protection class I | 4787 |
| 4788, Mounting: Snap-in version, Appliance Outlet: IEC Solder/Quick Connect Terminal, 10 A, Suitable for appliances with protection class I | 4788 |
| IEC Appliance Outlet F or H, Screw-on Mounting, Front Side, Solder, PCB or Quick-connect Terminal | 5091 |

[Connector Overview complete](#)

| | |
|---|---------|
| 4782 Mounting: Power Cord, 3 x 1 mm ² / 3 x 18 AWG, Cable, Connector: IEC C13 | 4782 |
| 4785 Mounting: Power Cord, 3 x 1 mm ² / 3 x 18 AWG, Cable, Connector: IEC C13 | 4785 |
| 4300-06 Mounting: Power Cord, 3 x 1 mm ² / 3 x 18 AWG, Cable, Connector: IEC C13 | 4300-06 |
| 4781 Mounting: Power Cord, Cable, Connector: IEC C15 | 4781 |
| 4784 Mounting: Power Cord, 3 x 1 mm ² / 3 x 18 AWG, Cable, Connector: IEC C15 | 4784 |

...

Mating Outlets/Connectors shuttered

[Connector Overview complete](#)

| | |
|--|------|
| 4783 Mounting: Power Cord, 3 x 1 mm ² / 3 x 18 AWG, Cable, Connector: IEC C13 | 4783 |
|--|------|

[Power Cord Overview complete](#)

| | |
|---|---------|
| VAC13KS, Overview, V-Lock cord retaining, diverse Connector IEC C13, diverse, black | VAC13KS |
| VAC17KS, V-Lock cord retaining, diverse m, Connector IEC C17, diverse, black / grey / white | VAC17KS |

Mouser Electronics

Authorized Distributor

Click to View Pricing, Inventory, Delivery & Lifecycle Information:

Schurter:

| | | | | | | | |
|-----------------------------|-----------------------------|-----------------------------|-----------------------------|-----------------------------|-----------------------------|-----------------------------|-----------------------------|
| 5120.0001.0 | 5120.0004.0 | 5120.0006.0 | 5120.0007.0 | 5120.1000.0 | 5120.1001.0 | 5120.1003.0 | 5120.1004.0 |
| 5120.1006.0 | 5120.1007.0 | 5120.1300.0 | 5120.1301.0 | 5120.1303.0 | 5120.1304.0 | 5120.1306.0 | 5120.1307.0 |
| 5120.0306.0 | 5120.0206.0 | 5120.0300.0 | 5120.0003.0 | 5120.0000.0 | 5120.2201.0 | 5120.1303.1 | 5120.2301.0 |
| 5120.1201.0 | 5120.2004.0 | 5120.2307.0 | 5120.2304.0 | 5120.2007.0 | 5120.1206.0 | 5120.0303.0 | 5120.2300.0 |
| 5120.2006.0 | 5120.2207.0 | 5120.0200.0 | 5120.0201.0 | 5120.2200.0 | 5120.2306.0 | 5120.1207.0 | 5120.2001.0 |
| 5120.0301.0 | 5120.0204.0 | 5120.2303.0 | 5120.1204.0 | 5120.0203.0 | 5120.1203.0 | 5120.2204.0 | 5120.2206.0 |
| 5120.2203.0 | 5120.0207.0 | 5120.2000.0 | 5120.2003.0 | 5120.0307.0 | 5120.0304.0 | 5120.1200.0 | 5120.2306.1 |
| 5120.0010.0 | 5120.0057.0 | 5120.0216.0 | 5120.0300.1 | 5120.0301.1 | 5120.0303.1 | 5120.0304.1 | 5120.0306.1 |
| 5120.0307.1 | 5120.0316.1 | 5120.0343.0 | 5120.0500.0 | 5120.0501.0 | 5120.0503.0 | 5120.0504.0 | 5120.0506.0 |
| 5120.0507.0 | 5120.1046.0 | 5120.1300.1 | 5120.1301.1 | 5120.1304.1 | 5120.1306.1 | 5120.1307.1 | 5120.1311.1 |
| 5120.1346.0 | 5120.1503.0 | 5120.1504.0 | 5120.1506.0 | 5120.1507.0 | 5120.2046.0 | 5120.2301.1 | 5120.2303.1 |
| 5120.2304.1 | 5120.2307.1 | 5120.3034.0 | 5120.4070.0 | 5120.4071.0 | 5120.4073.0 | 5120.4074.0 | 5120.4076.0 |
| 5120.4077.0 | 5120.4373.0 | 5120.4373.1 | 5120.4374.0 | | | | |