

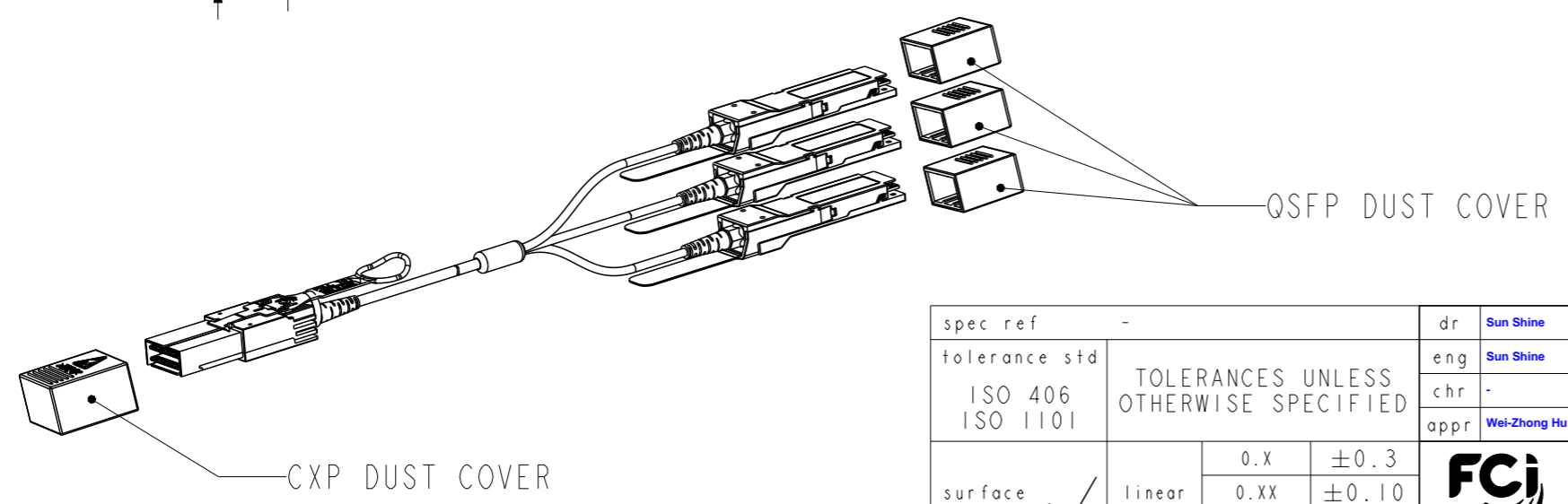
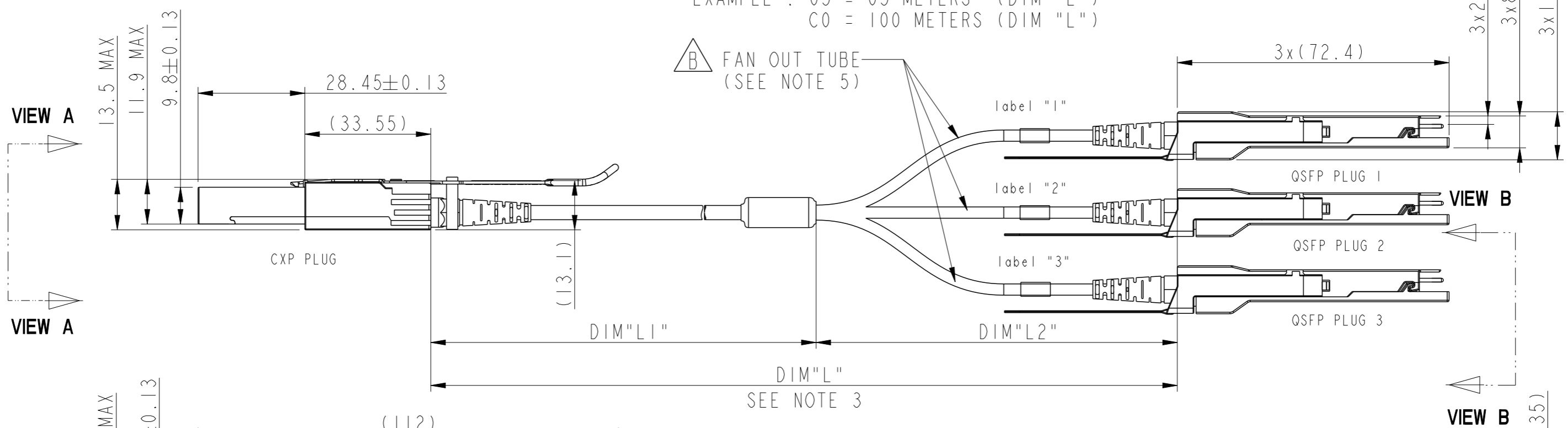
PRODUCT NUMBER
ICD120GVP2420-XX

PRODUCT NUMBER DESCRIPTION:

ICD120GVP2420-XX

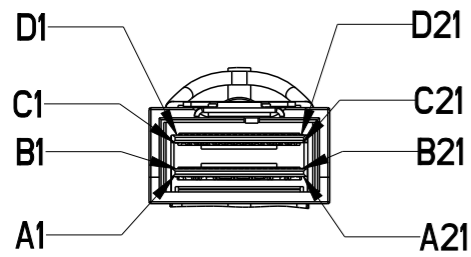
LENGTH
XX= METERS - INCREMENT 5 METERS
EXAMPLE : 05 = 05 METERS (DIM "L")
C0 = 100 METERS (DIM "L")

B FAN OUT TUBE
(SEE NOTE 5)



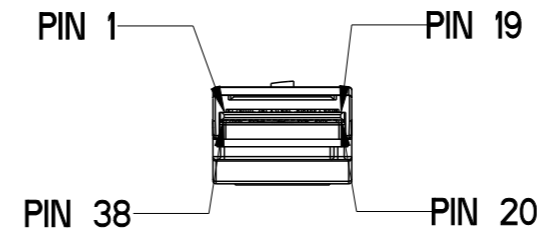
spec ref	-	dr	Sun Shine	2013/01/29	projection	mm	size	A3	scale	1:4	
tolerance std	ISO 406 ISO 1101	eng	Sun Shine	2013/08/12			ecn no	ELX-N-15468-1			
TOLERANCES UNLESS OTHERWISE SPECIFIED		chr	-	-			rel level	Released			
surface	ISO 1302	appr	Wei-Zhong Hu	2013/08/12	product family	-	rel level	Released			
linear	0.X ±0.3 0.XX ±0.10 0.XXX ±0.05	www.fci.com	FCj	title	CXP TO 3X QSFP ASSEMBLY		dwg no	ICD120GVP2420		rev	B
angular	0° ±2°	cat. no.	-	Product - Customer Drw	sheet 1 of 3						

PRODUCT NUMBER
ICD120GVP2420-XX



VIEW A-A
PIN ASSIGNMENTS

CXP PLUG CONNECTOER DESCRIPTION			
CONTACT NUMBER	SIGNAL	CONTACT NUMBER	SIGNAL
A2	Tx1p	C2	Rx1p
A3	Tx1n	C3	Rx1n
A5	Tx3p	C5	Rx3p
A6	Tx3n	C6	Rx3n
A8	Tx5p	C8	Rx5p
A9	Tx5n	C9	Rx5n
A11	Tx7p	C11	Rx7p
A12	Tx7n	C12	Rx7n
A14	Tx9p	C14	Rx9p
A15	Tx9n	C15	Rx9n
A17	Tx11p	C17	Rx11p
A18	Tx11n	C18	Rx11n
B2	Tx0p	D2	Rx0p
B3	Tx0n	D3	Rx0n
B5	Tx2p	D5	Rx2p
B6	Tx2n	D6	Rx2n
B8	Tx4p	D8	Rx4p
B9	Tx4n	D9	Rx4n
B11	Tx6p	D11	Rx6p
B12	Tx6n	D12	Rx6n
B14	Tx8p	D14	Rx8p
B15	Tx8n	D15	Rx8n
B17	Tx10p	D17	Rx10p
B18	Tx10n	D18	Rx10n



VIEW B-B
PIN ASSIGNMENTS

QSFP PLUG(3x)

EDGE CONNECTOR PAD DESCRIPTION			
POSITION	SYMBOL	POSITION	SYMBOL
19	GND	20	GND
18	RX1n	21	RX2n
17	RX1p	22	RX2p
16	GND	23	GND
15	RX3n	24	RX4n
14	RX3p	25	RX4p
13	GND	26	GND
12	SDA	27	ModPrsL
11	SCL	28	IntL
10	VccRx	29	VccTx
9	ResetL	30	VccI
8	ModSelL	31	LPMODE
7	GND	32	GND
6	TX4p	33	TX3p
5	TX4n	34	TX3n
4	GND	35	GND
3	TX2p	36	TX1p
2	TX2n	37	TX1n
1	GND	38	GND

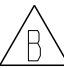



Copyright FCI.

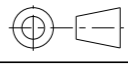

spec ref	-	dr	Sun Shine	2013/01/29	projection	mm	size	A3	scale	1:4
tolerance std	ISO 406 ISO 1101	eng	Sun Shine	2013/08/12			ecn no		ELX-N-15468-1	
TOLERANCES UNLESS OTHERWISE SPECIFIED		chr	-	-			rel level		Released	
surface	ISO 1302	appr	Wei-Zhong Hu	2013/08/12	product family	-	dwg no		ICD120GVP2420	
linear	0.X ±0.3 0.XX ±0.10 0.XXX ±0.05			title	CXP TO 3X QSFP ASSEMBLY			rev	B	
angular	0° ±2°	www.fci.com	cat. no.	-	Product - Customer Drw			sheet 2 of 3		

CXP CONTACT NUMBER	CXP SIGNAL	QSFP PLUG NUMBER	QSFP POSITION	QSFP SIGNAL
A2	Tx1p	1	22	RX2p
A3	Tx1n		21	RX2n
A5	Tx3p		25	RX4p
A6	Tx3n	2	24	RX4n
A8	Tx5p		22	RX2p
A9	Tx5n		21	RX2n
A11	Tx7p	3	25	RX4p
A12	Tx7n		24	RX4n
A14	Tx9p		22	RX2p
A15	Tx9n	1	21	RX2n
A17	Tx11p		25	RX4p
A18	Tx11n		24	RX4n
B2	Tx0p	1	17	RX1p
B3	Tx0n		18	RX1n
B5	Tx2p		14	RX3p
B6	Tx2n	2	15	RX3n
B8	Tx4p		17	RX1p
B9	Tx4n		18	RX1n
B11	Tx6p	3	14	RX3p
B12	Tx6n		15	RX3n
B14	Tx8p		17	RX1p
B15	Tx8n	1	18	RX1n
B17	Tx10p		14	RX3p
B18	Tx10n		15	RX3n
C2	Rx1p	1	3	TX2p
C3	Rx1n		2	TX2n
C5	Rx3p		6	TX4p
C6	Rx3n	2	5	TX4n
C8	Rx5p		3	TX2p
C9	Rx5n		2	TX2n
C11	Rx7p	3	6	TX4p
C12	Rx7n		5	TX4n
C14	Rx9p		3	TX2p
C15	Rx9n	1	2	TX2n
C17	Rx11p		6	TX4p
C18	Rx11n		5	TX4n
D2	Rx0p	1	36	TX1p
D3	Rx0n		37	TX1n
D5	Rx2p		33	TX3p
D6	Rx2n	2	34	TX3n
D8	Rx4p		36	TX1p
D9	Rx4n		37	TX1n
D11	Rx6p	3	33	TX3p
D12	Rx6n		34	TX3n
D14	Rx8p		36	TX1p
D15	Rx8n	1	37	TX1n
D17	Rx10p		33	TX3p
D18	Rx10n		34	TX3n

NOTES:

- MATERIAL:
COVERS : ZINC ALLOY/ COPPER UNDERPLATE/ NICKEL OVERPLATE
PULL CORD : THERMOPLASTIC
SPRINGARM : STAINLESS STEEL
STRAIN RELIEF BOOT : THERMOPLASTIC
SCREWS : STAINLESS STEEL
PADDLE CARD : PRINTED CIRCUIT SUBSTRATE - FR4
DUST COVER : THERMOPLASTIC POLYOLEFINS
- THIS PRODUCT MEETS THE RESTRICTION OF HAZARDOUS SUBSTANCES IN ELECTRICAL AND ELECTRONIC EQUIPMENT (RoHS).DIRECTIVE 2002/95/EC.
- THIS DIMENSION IS A FINISHED PRODUCT LENGTH.
WHEN L>2M,L2=2M,L1=L-L2;WHEN L<=2M,L2=0.5M,L1=L-L2
THE TOLERANCE:L<=5M,+/-100mm,L>5M,±2%.
- SEE PRODUCT SPECIFICATION DOCUMENT GS-12-1067 FOR FURTHER DETAILS.
-  THE COLOR OF FAN OUT TUBE IS SAME AS FIBER JACKET:ORANGE(L<=20M),AQUAE(L>20M).
- A  SYMBOL WILL BE NEXT TO ANY DIMENSION, VIEW, OR NOTE WHICH HAS BEEN MODIFIED WITH THE CURRENT DRAWING REVISION. THE CURRENT REVISION WILL BE SHOWN IN THE SYMBOL.

CABLE CONNECTIVITY MAPPING

spec ref	-	dr	Sun Shine	2013/01/29	projection	mm	size	A3	scale	1:4
tolerance std	ISO 406 ISO 1101	eng	Sun Shine	2013/08/12			ecn no	ELX-N-15468-1	rel level	
surface	ISO 1302	chr	-	-	product family	-	Released		rev	
linear	0.X ±0.3 0.XX ±0.10 0.XXX ±0.05	appr	Wei-Zhong Hu	2013/08/12	CXP TO 3X QSFP ASSEMBLY		dwg no	ICD120GVP2420		B
angular	0° ±2°	www.fci.com	cat. no.	-	Product - Customer Drw	sheet 3 of 3				

Copyright FCI.